

1

2

3

4

5

6

7

A

B

C

D

E

F

G

H

Material

- ①Terminal housing: Thermoplastic (UL94V-0) , GREEN
- ②Clamp:Brass,Ni plated
- ③Wire guard solder pin:Brass,Tin plated
- ④Terminal screw: Steel Zinc plating "-" slot type

Electrical

Voltage rating: 300VAC

Current rating: 20A

Wire range:

Solid wire(AWG): 12-30

Stranded wire(AWG): 12-30

Torque(Lb-In): 3.5

Screw: M3

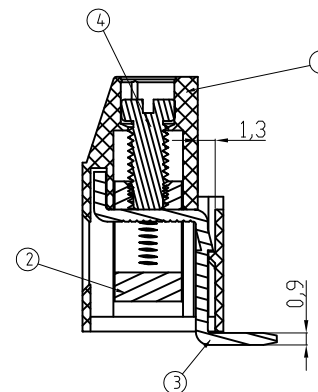
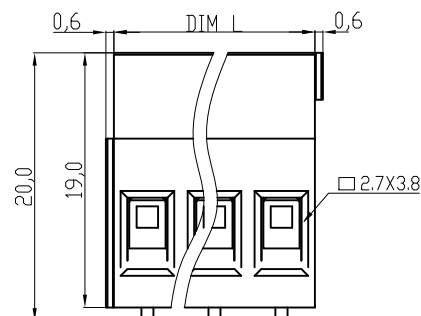
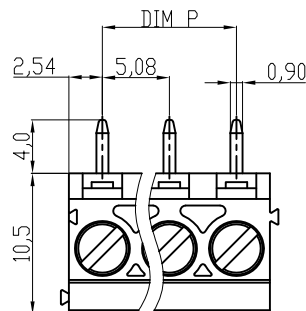
Wire strip length: 6-7mm

Withstanding Voltage: 1.6KV

Operating temperature: -40°C to +115°C

Soldering temperature: 250°C±10°C/5 Sec

Safety Approval:

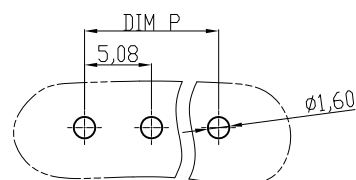


DIMENSION

L	Nx5.08
P	(N-1)x5.08

N=Number of poles

Poles	Tolerance
	DIM L&DIM P
2p-6p	±0.15
7p-12p	±0.20
13p-18p	±0.25
19p-24p	±0.30



RECOMMENDER PCB LAYOUT

RoHS compliant

Scale	1:1						Date	Name	Customer-No.
TOLERANCE						Drawn	19.04.2010	Alex	ASSMANN WSW-No. <b>A-TB508-VJxxV</b>
X.	±0.50					Approved	19.04.2010	Hellwig	
X.X	±0.30								
X.XX	±0.10								
DIM	TOL								Drawing-No.
X.°	±1°								<b>ASS 4111 CO</b>
		①	Drawn	19.04.2010	Alex				rev00
Angle	TOL	Id.	Modification	Date	Name			Replace	Sheet

1

2

3

4

5

6

7

A

B

C

D

E

F

G

H