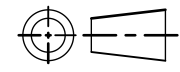
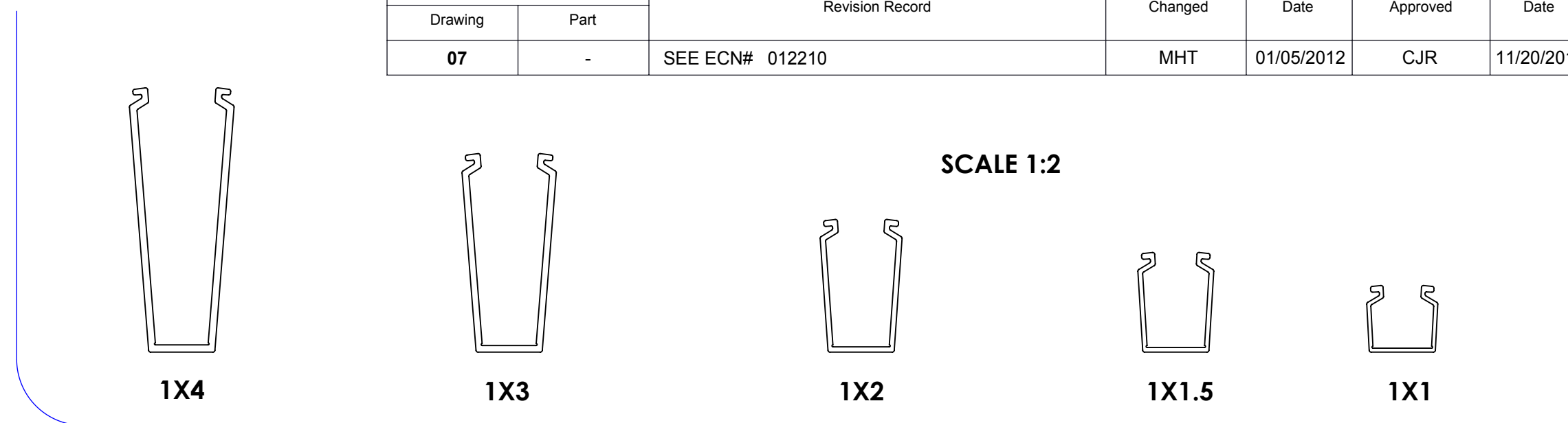
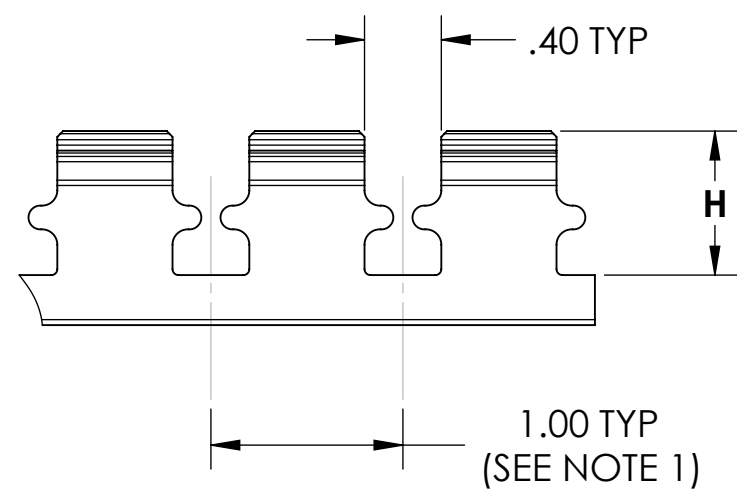


SW2011

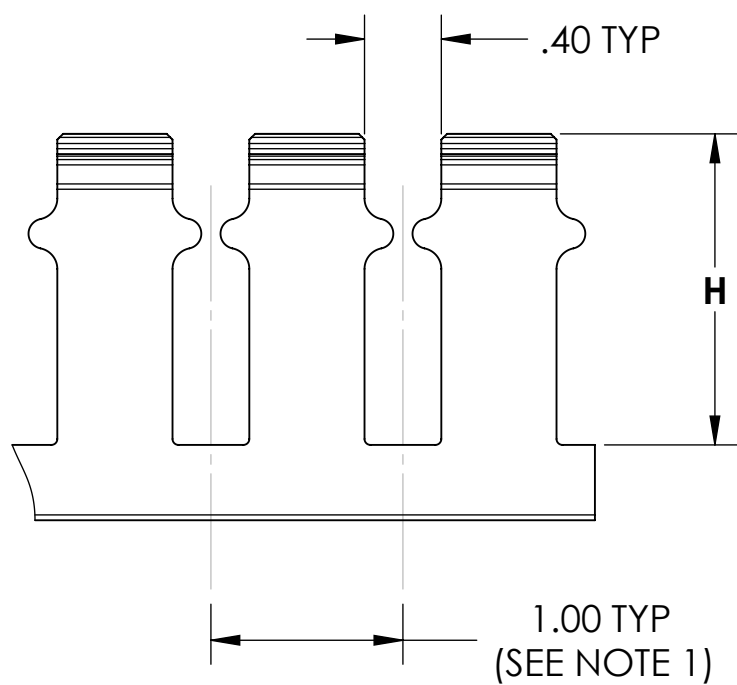


| Revision level | | Revision Record | Changed | Date | Approved | Date |
|----------------|------|-----------------|---------|------------|----------|------------|
| Drawing | Part | | | | | |
| 07 | - | SEE ECN# 012210 | MHT | 01/05/2012 | CJR | 11/20/2012 |

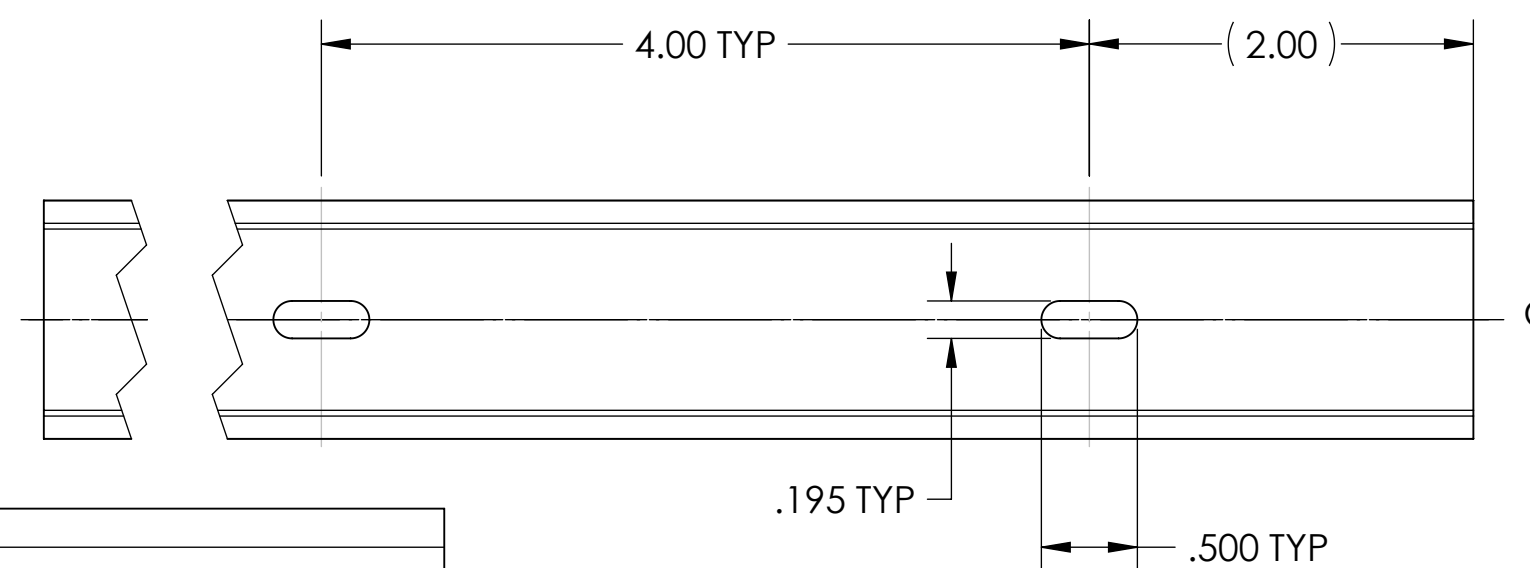
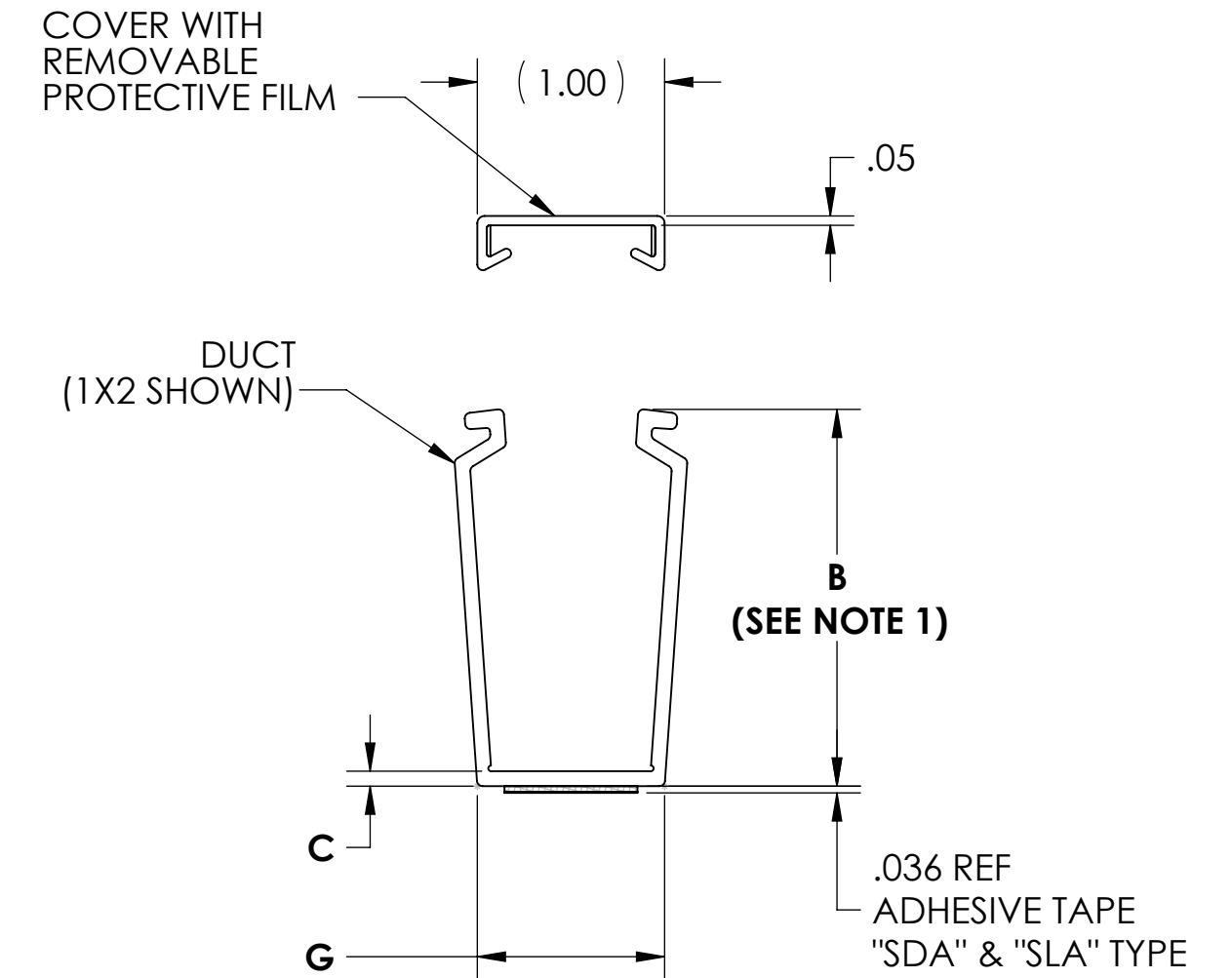
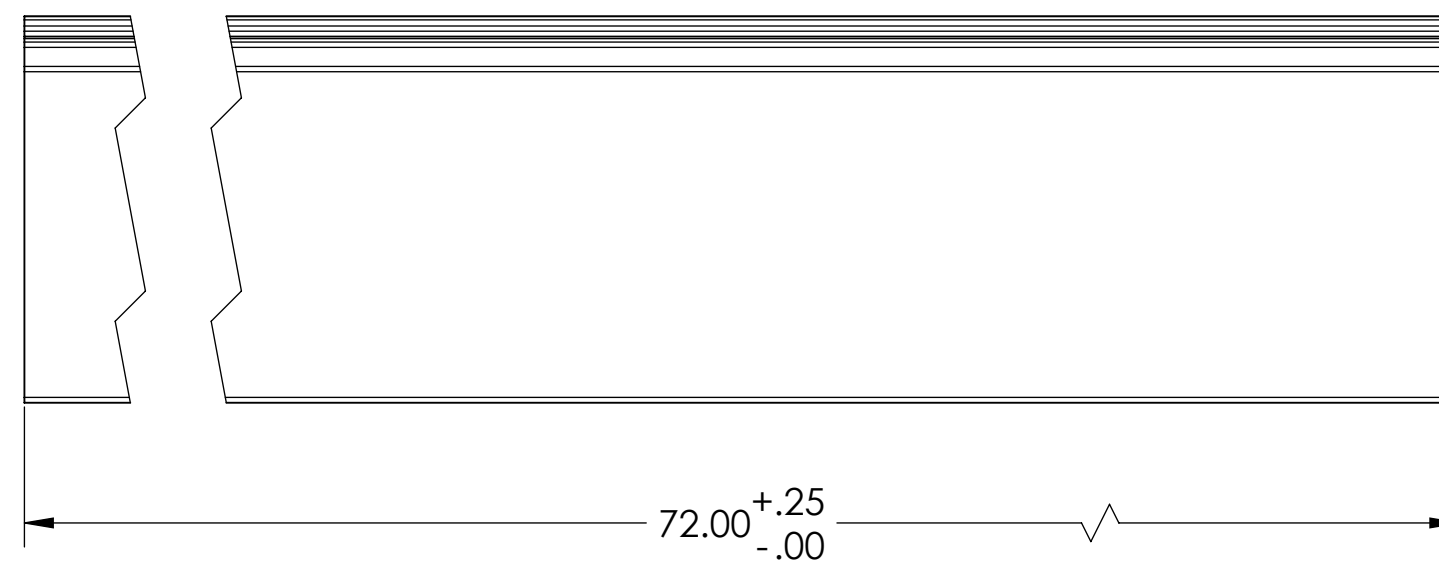
**SLOTTED WALL DUCT
TYPE "SL1X1"**



**SLOTTED WALL DUCT
TYPE "SL1X1.5" "SL1X2" "SL1X3" "SL1X4"**



**SOLID WALL DUCT
TYPE "SD"**



| TYPE | DESCRIPTION | MOUNTING METHOD | B (SEE NOTE 1) | C | G | H |
|----------|-----------------------|-----------------|--------------------|------------------------|--------------------|-------------|
| TC1 | COVER | - | - | - | - | - |
| SD1X1 | SOLID DUCT | SCREW | 1.004 +.020/-0.015 | .060 ±.005 | 1.000 +/--.025 | - |
| SD1X1.5 | " | " | 1.506 +.025/-0.020 | .070 ±.005 | 1.000 +/--.025 | - |
| SD1X2 | " | " | 2.008 +.025/-0.020 | .080 +.005/-0.012 | 1.000 +.025/-0.039 | - |
| SD1X3 | " | " | 3.009 +.035/-0.020 | .100 ±.010 | 1.000 +/--.029 | - |
| SD1X4 | " | " | 4.008 +.045/-0.020 | .110 +.008/-0.015/0.07 | 1.000 +/--.031 | - |
| SDA1X1 | SOLID DUCT W/ADHES. | ADHESIVE TAPE | 1.004 +.020/-0.015 | .060 ±.005 | 1.000 +/--.025 | - |
| SDA1X1.5 | " | " | 1.506 +.025/-0.020 | .070 ±.005 | 1.000 +/--.025 | - |
| SDA1X2 | " | " | 2.008 +.025/-0.020 | .080 +.005/-0.012 | 1.000 +.025/-0.039 | - |
| SDA1X3 | " | " | 3.009 +.035/-0.020 | .100 ±.010 | 1.000 +/--.029 | - |
| SDA1X4 | " | " | 4.008 +.045/-0.020 | .110 +.008/-0.015/0.07 | 1.000 +/--.031 | - |
| SL1X1 | SLOTTED DUCT | SCREW | 1.004 +.020/-0.015 | .060 ±.005 | 1.000 +/--.025 | .750 ±.010 |
| SL1X1.5 | " | " | 1.506 +.025/-0.020 | .070 ±.005 | 1.000 +/--.025 | 1.190 ±.015 |
| SL1X2 | " | " | 2.008 +.025/-0.020 | .080 +.005/-0.012 | 1.000 +.025/-0.039 | 1.620 ±.015 |
| SL1X3 | " | " | 3.009 +.035/-0.020 | .100 ±.010 | 1.000 +/--.029 | 2.600 ±.015 |
| SL1X4 | " | " | 4.008 +.045/-0.020 | .110 +.008/-0.015/0.07 | 1.000 +/--.031 | 3.600 ±.015 |
| SLA1X1 | SLOTTED DUCT W/ADHES. | ADHESIVE TAPE | 1.004 +.020/-0.015 | .060 ±.005 | 1.000 +/--.025 | .750 ±.010 |
| SLA1X1.5 | " | " | 1.506 +.025/-0.020 | .070 ±.005 | 1.000 +/--.025 | 1.190 ±.015 |
| SLA1X2 | " | " | 2.008 +.025/-0.020 | .080 +.005/-0.012 | 1.000 +.025/-0.039 | 1.620 ±.015 |
| SLA1X3 | " | " | 3.009 +.035/-0.020 | .100 ±.010 | 1.000 +/--.029 | 2.600 ±.015 |
| SLA1X4 | " | " | 4.008 +.045/-0.020 | .110 +.008/-0.015/0.07 | 1.000 +/--.031 | 3.600 ±.015 |

| 50% WIRE FILL CAPACITY | | | | | | | | | | | | | |
|------------------------|---------------------|-----------|-------|-------|-------|--------------|--------------------------------|--------------|------|------|-------|--|--|
| DUCT SIZE (WxH) | DUCT AREA (Sq. In.) | WIRE O.D. | | | | | | | | | | | |
| | | 12AWG | | | | | 14AWG | | | | 16AWG | | |
| | | 12AWG | 14AWG | 16AWG | 18AWG | 22AWG | TWISTED PAIR 24 AWG UNSHIELDED | | | | | | |
| | | | | | | 4 Pr. Cat 5e | 4 Pr. Cat 6 | 4 Pr. Cat 6a | | | | | |
| 1X1 | .735 | .158 | .165 | .139 | .125 | .113 | .065 | .217 | .240 | .354 | | | |
| 1X1.5 | 1.135 | 29 | 27 | 37 | 46 | 57 | 171 | 15 | 13 | 6 | | | |
| 1X2 | 1.515 | 39 | 35 | 50 | 62 | 76 | 228 | 20 | 17 | 8 | | | |
| 1X3 | 2.220 | 57 | 52 | 73 | 90 | 111 | 335 | 30 | 25 | 11 | | | |
| 1X4 | 2.936 | 75 | 69 | 97 | 120 | 146 | 443 | 40 | 32 | 15 | | | |

Notes
1) BOTH SIDES ALIKE WITHIN .015

Material
PVC
AVAILABLE IN WHITE,
GRAY, BLACK, OR BLUE
CONSULT FACTORY FOR
OTHER COLORS
RoHS COMPLIANT

Units inches
Dimension without tolerances
details to:
.xxxx = ±.0005
.xxx = ±.005
.xx = ±.01
.x = ±.03
None = ±.06
∠ = ±0.5°

The copyright of this drawing is reserved by HellermannTyton. It is issued on condition that it is not reproduced, copied, or disclosed to a third party, either wholly or in part, without the consent of HellermannTyton.

| | | | | | | |
|--|-----|------------|------------------------|--|----------------|-----------|
| Drawn | KAC | 06/17/2009 | Article/Type-No | SEE CHART | Scale | 1:1 |
| Approved | | | Title | 1" WIDE SD, SDA, SL, SLA DUCT WITH COVER | Project Number | PRP07-021 |
| HellermannTyton | | | Drawing-No | DT07-021-102CST | Format | C |
| North America Email: corp@htamericas.com Web: www.hellermann.tyton.com | | | Pre-Production : Phase | | Sheet | 1/1 |