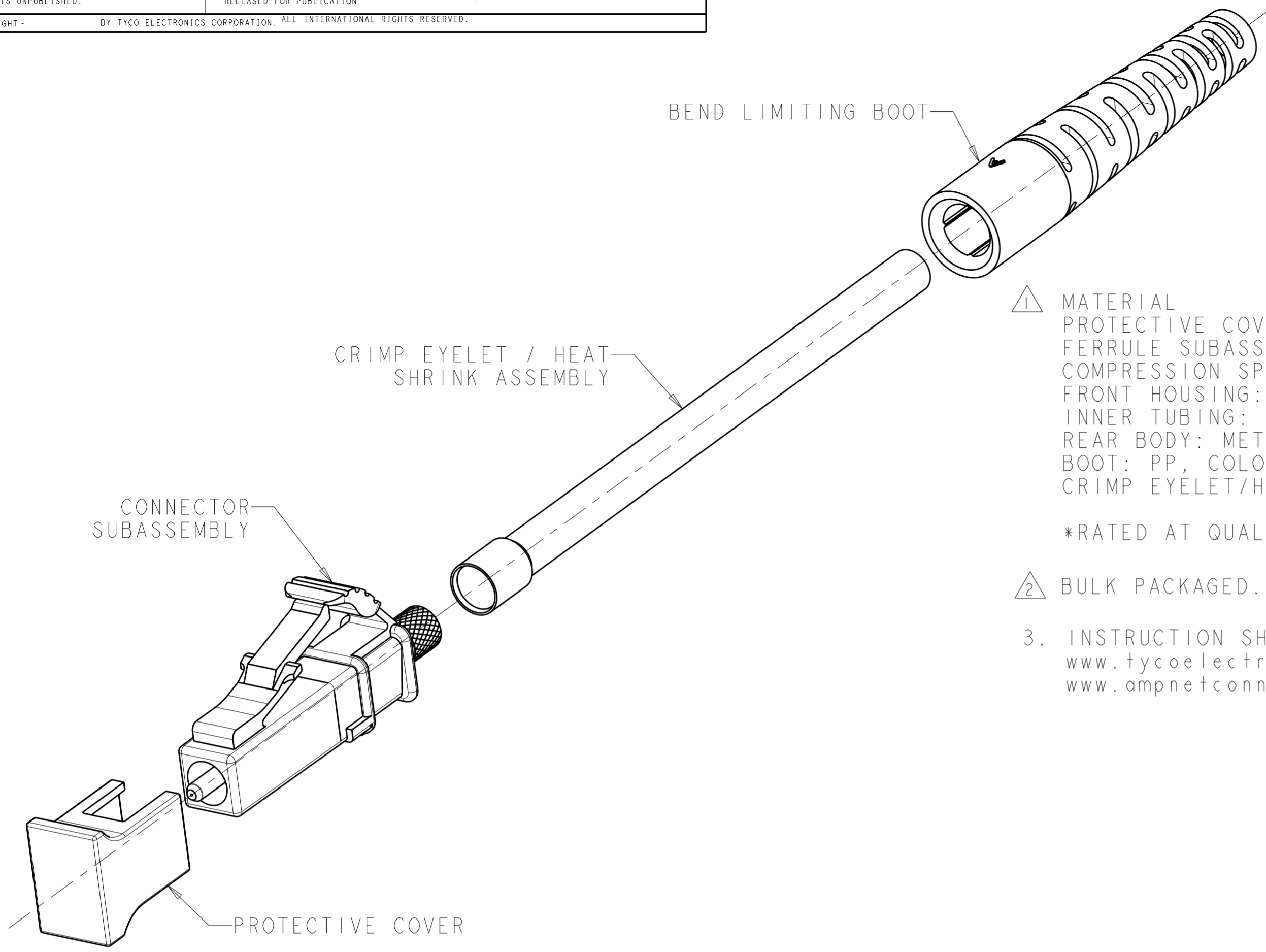
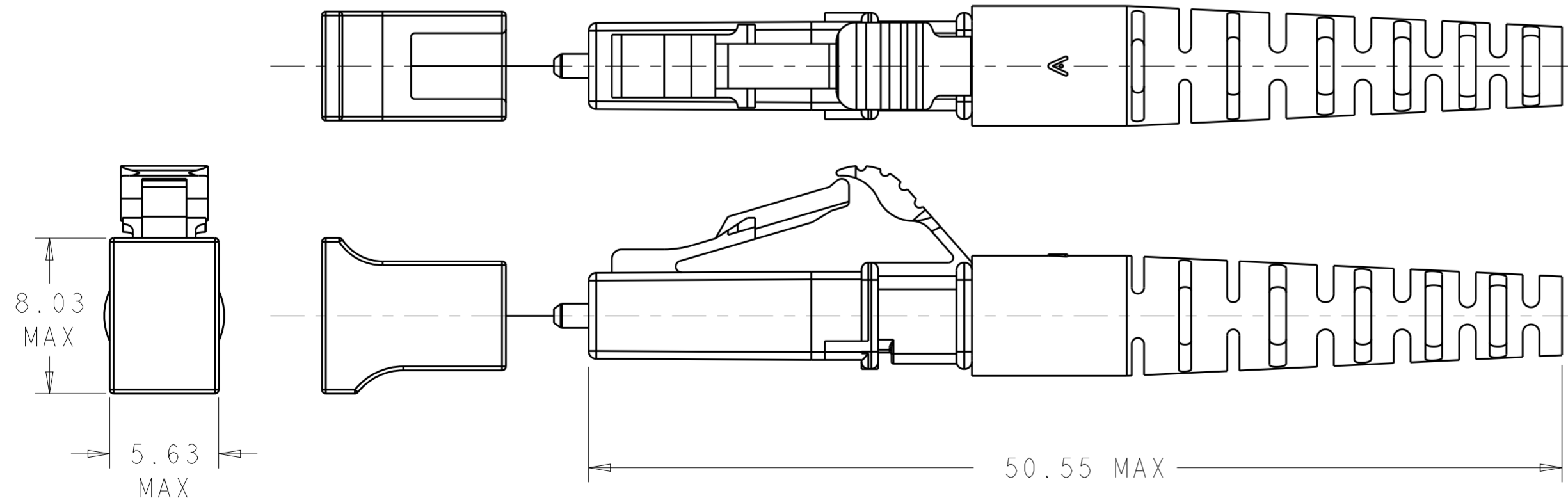


THIS DRAWING IS UNPUBLISHED. RELEASED FOR PUBLICATION
 © COPYRIGHT BY TYCO ELECTRONICS CORPORATION. ALL INTERNATIONAL RIGHTS RESERVED.

LOC	DIST	REVISIONS			
P	LTR	DESCRIPTION	DATE	DWN	APVD
HG	-				
	B3	REVISE NOTE 3	16MAR2009	BB	SB
	C	REV PER ECR-10-009334	12MAY2010	IL	CT
	D	REV PER ECO-13-009829	13JUN2013	JM	TE



- 1 MATERIAL
 PROTECTIVE COVER: PP, COLOR: WHITE, UL94 HB*
 FERRULE SUBASSEMBLY: ZIRCONIA/METAL
 COMPRESSION SPRING: STAINLESS STEEL
 FRONT HOUSING: PEI, COLOR: BEIGE, UL94 V-0*
 INNER TUBING: PTFE, COLOR: CLEAR, UL VW-1
 REAR BODY: METAL
 BOOT: PP, COLOR: UL94 V-0*, SEE TABLE FOR COLOR.
 CRIMP EYELET/HEAT SHRINK ASSY: ALUM. ALLOY, HEAT SHRINK: POLYOLEFIN, UL VW-1
 *RATED AT QUALIFYING THICKNESS.
- 2 BULK PACKAGED.
- 3. INSTRUCTION SHEET: 408-8675 AVAILABLE FOR DOWNLOAD AT
www.tycoelectronics.com/documents OR
www.ampnetconnect.com/foguide.



2	BLACK	1918267-6
2	AQUA	1918267-5
	BLACK	1918267-4
	AQUA	1918267-3
2	BEIGE	1918267-2
	BEIGE	1918267-1
	BOOT COLOR	PART NUMBER

THIS DRAWING IS A CONTROLLED DOCUMENT FOR TYCO ELECTRONICS CORPORATION. IT IS SUBJECT TO CHANGE AND THE CONTROLLING ENGINEERING ORGANIZATION SHOULD BE CONTACTED FOR THE LATEST REVISION.

DWN	B. BRIGGS	20APR2006	Tyco Electronics Corporation Shanghai, China
CHK	D. ROHDE	20APR2006	
APVD	D. BAECHTLE	20APR2006	
PRODUCT SPEC			
APPLICATION SPEC			NAME
WEIGHT			KIT, CONNECTOR, LC, SIMPLEX, MM, 1.6-2.0mm JACKET
CUSTOMER DRAWING			SIZE
			A2
			CAGE CODE
			-
			DRAWING NO
			G-1918267
			RESTRICTED TO
			-
			SCALE
			4:1
			SHEET
			1
			OF
			1
			REV
			D