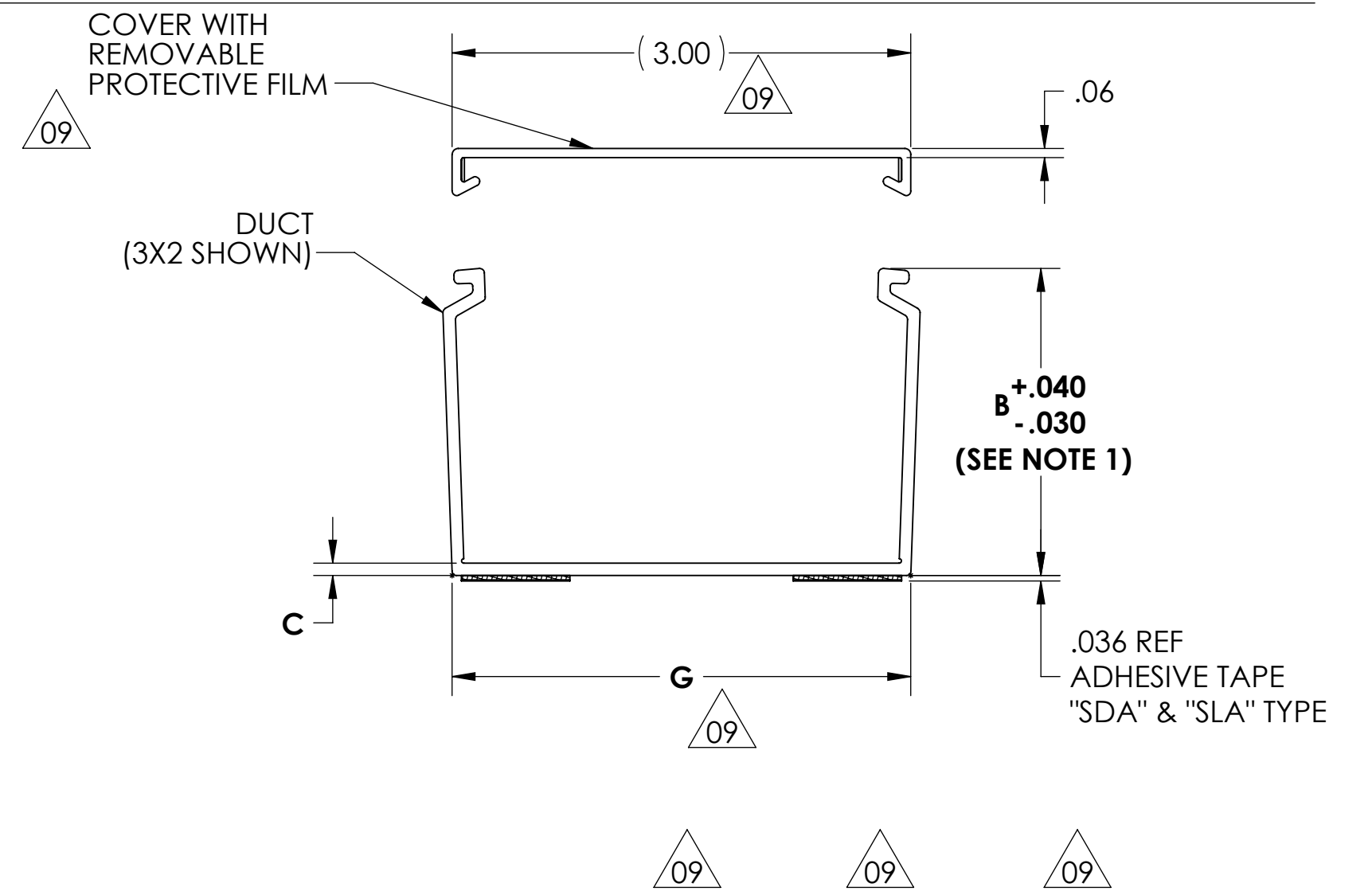
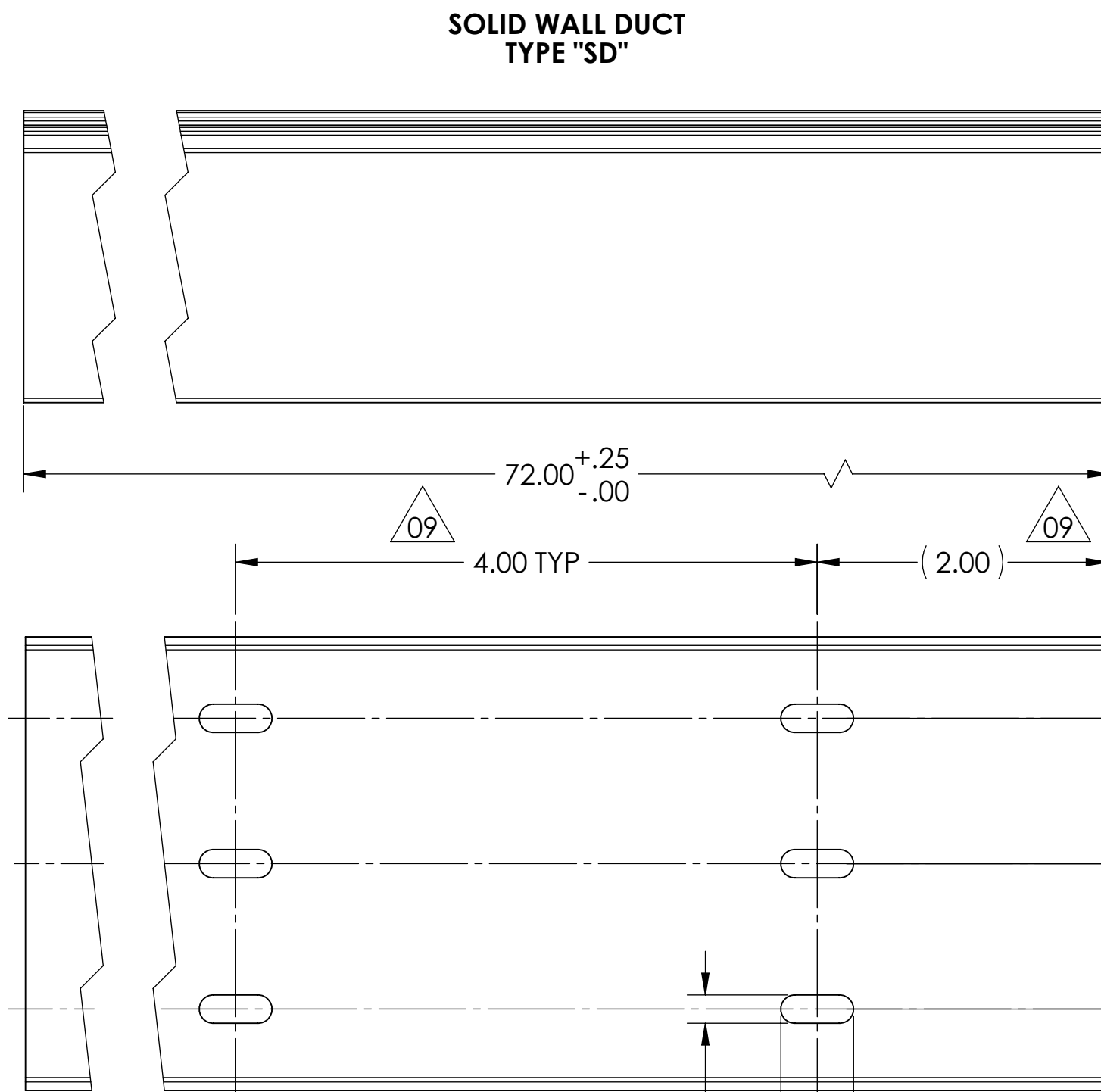
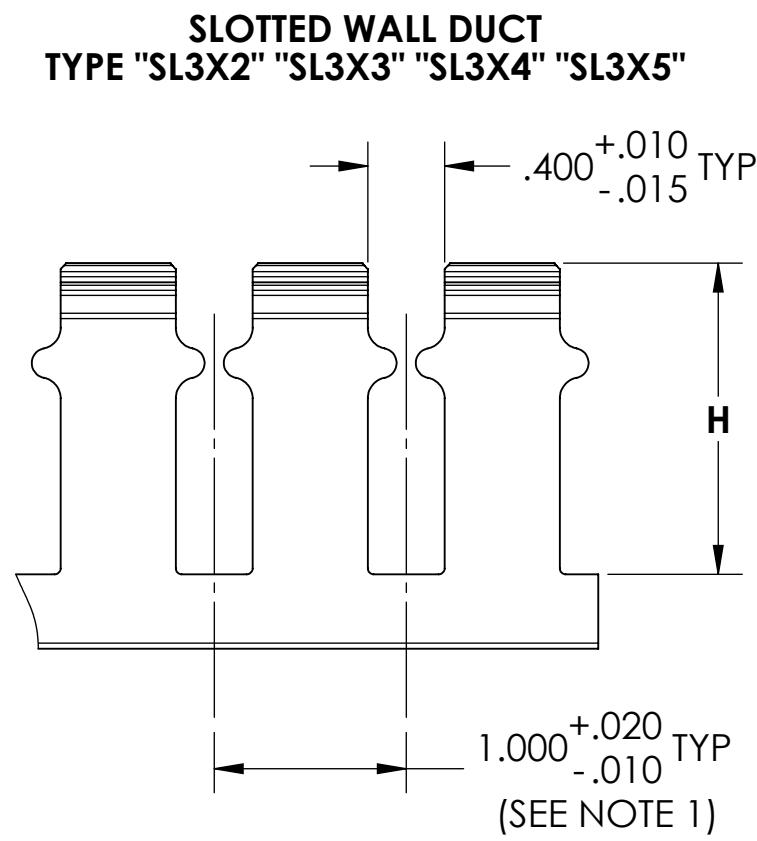
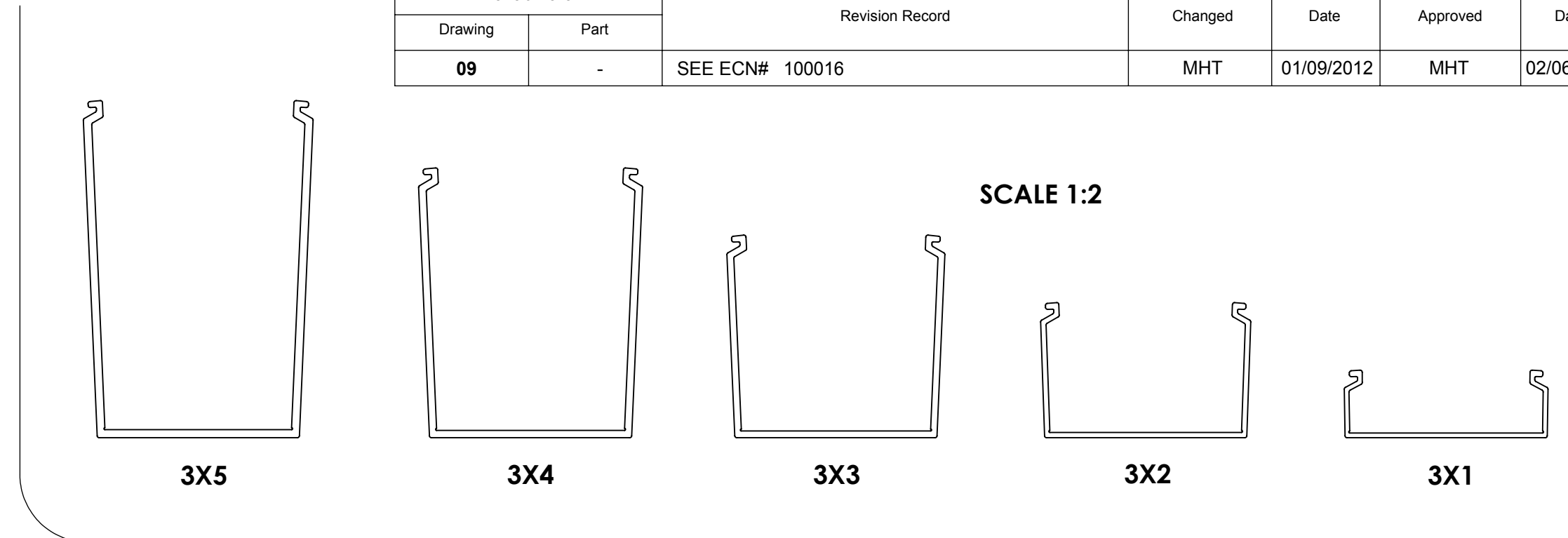
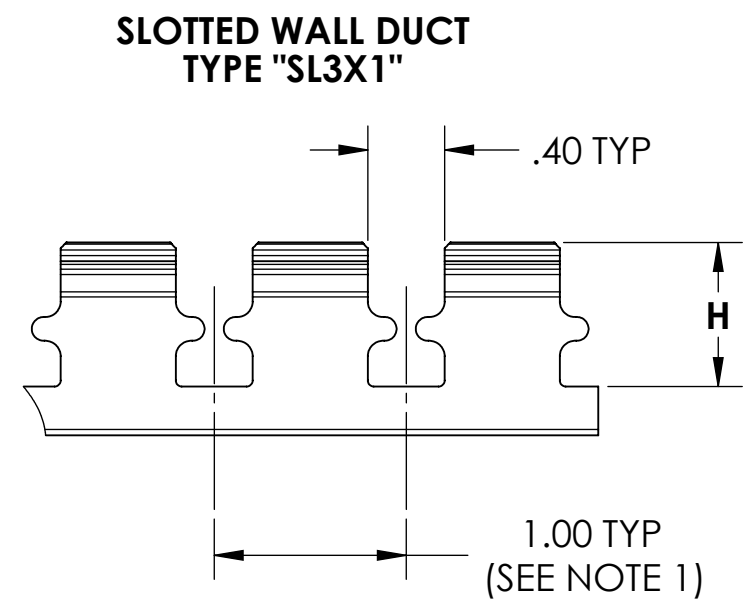


Revision level		Revision Record	Changed	Date	Approved	Date
Drawing	Part					
09	-	SEE ECN# 100016	MHT	01/09/2012	MHT	02/06/2012



50% WIRE FILL CAPACITY

DUCT SIZE (WxH)	DUCT AREA (Sq. In.)	WIRE O.D.								
		12AWG					TWISTED PAIR 24 AWG UNSHIELDED			
		12AWG	14AWG	16AWG	18AWG	22AWG	4 Pr. Cat 5e	4 Pr. Cat 6	4 Pr. Cat 6a	
		.158	.165	.139	.125	.113	.065	.217	.240	.354
3X1	2.573	66	60	85	105	128	388	35	28	13
3X2	5.364	137	125	177	219	268	809	73	59	27
3X3	8.028	205	188	265	327	400	1210	109	89	41
3X4	10.724	274	251	354	437	535	1617	145	119	55
3X5	13.382	341	313	441	546	668	2017	181	148	68

TYPE NUMBER	DESCRIPTION	MOUNTING METHOD	B (SEE NOTE 1)	C	G	H
TC3	COVER	-	-	-	-	-
SD3X1	SOLID DUCT	SCREW	1.004 +.020/-0.015	.070 +/--.005	3.000 +/--.025	-
SD3X2	"	"	2.008 +.025/-0.020	.080 +/--.005	3.000 +/--.025	-
SD3X3	"	"	3.010 +.035/-0.020	.100 +.015/-0.007	3.000 +/--.029	-
SD3X4	"	"	4.009 +.045/-0.020	.110 +/--.008	3.000 +/--.031	-
SD3X5	"	"	5.004 +.055/-0.020	.120 +/--.009	3.000 +/--.033	-
SDA3X1	SOLID DUCT W/ADHES.	ADHESIVE TAPE	1.004 +.020/-0.015	.070 +/--.005	3.000 +/--.025	-
SDA3X2	"	"	2.008 +.025/-0.020	.080 +/--.005	3.000 +/--.025	-
SDA3X3	"	"	3.010 +.035/-0.020	.100 +.015/-0.007	3.000 +/--.029	-
SDA3X4	"	"	4.009 +.045/-0.020	.110 +/--.008	3.000 +/--.031	-
SDA3X5	"	"	5.004 +.055/-0.020	.120 +/--.009	3.000 +/--.033	-
SL3X1	SLOTTED DUCT	SCREW	1.004 +.020/-0.015	.070 +/--.005	3.000 +/--.025	.750 ±.010
SL3X2	"	"	2.008 +.025/-0.020	.080 +/--.005	3.000 +/--.025	1.620 ±.015
SL3X3	"	"	3.010 +.035/-0.020	.100 +.015/-0.007	3.000 +/--.029	2.600 +.015/-0.045
SL3X4	"	"	4.009 +.045/-0.020	.110 +/--.008	3.000 +/--.031	3.600 ±.015
SL3X5	"	"	5.004 +.055/-0.020	.120 +/--.009	3.000 +/--.033	4.600 ±.015
SLA3X1	SLOTTED DUCT W/ADHES.	ADHESIVE TAPE	1.004 +.020/-0.015	.070 +/--.005	3.000 +/--.025	.750 ±.010
SLA3X2	"	"	2.008 +.025/-0.020	.080 +/--.005	3.000 +/--.025	1.620 ±.015
SLA3X3	"	"	3.010 +.035/-0.020	.100 +.015/-0.007	3.000 +/--.029	2.600 +.015/-0.045
SLA3X4	"	"	4.009 +.045/-0.020	.110 +/--.008	3.000 +/--.031	3.600 ±.015
SLA3X5	"	"	5.004 +.055/-0.020	.120 +/--.009	3.000 +/--.033	4.600 ±.015

Notes
1) BOTH SIDES ALIKE WITHIN .015



Material
PVC
AVAILABLE IN WHITE,
GRAY, BLACK, OR BLUE
CONSULT FACTORY FOR
OTHER COLORS
RoHS COMPLIANT

Units inches
Dimension without tolerances
details to:
.xxxx = ±.0005
.xxx = ±.005
.xx = ±.01
.x = ±.03
None = ±.06
∠ = ±0.5°

The copyright of this drawing is reserved by HellermannTyton. It is issued on condition that it is not reproduced, copied, or disclosed to a third party, either wholly or in part, without the consent of HellermannTyton.

Drawn KAC 06/22/2009
Approved
HellermannTyton
North America
Email: corp@htamericas.com
Web: www.hellermann.tyton.com

Article/Type-No SEE CHART
Title 3" WIDE SD, SDA, SL, SLA DUCT WITH COVER
Drawing-No DT07-021-302CST
Pre-Production : Phase
Scale 1:1
Project Number PRP07-021
Format C
Sheet 1/1