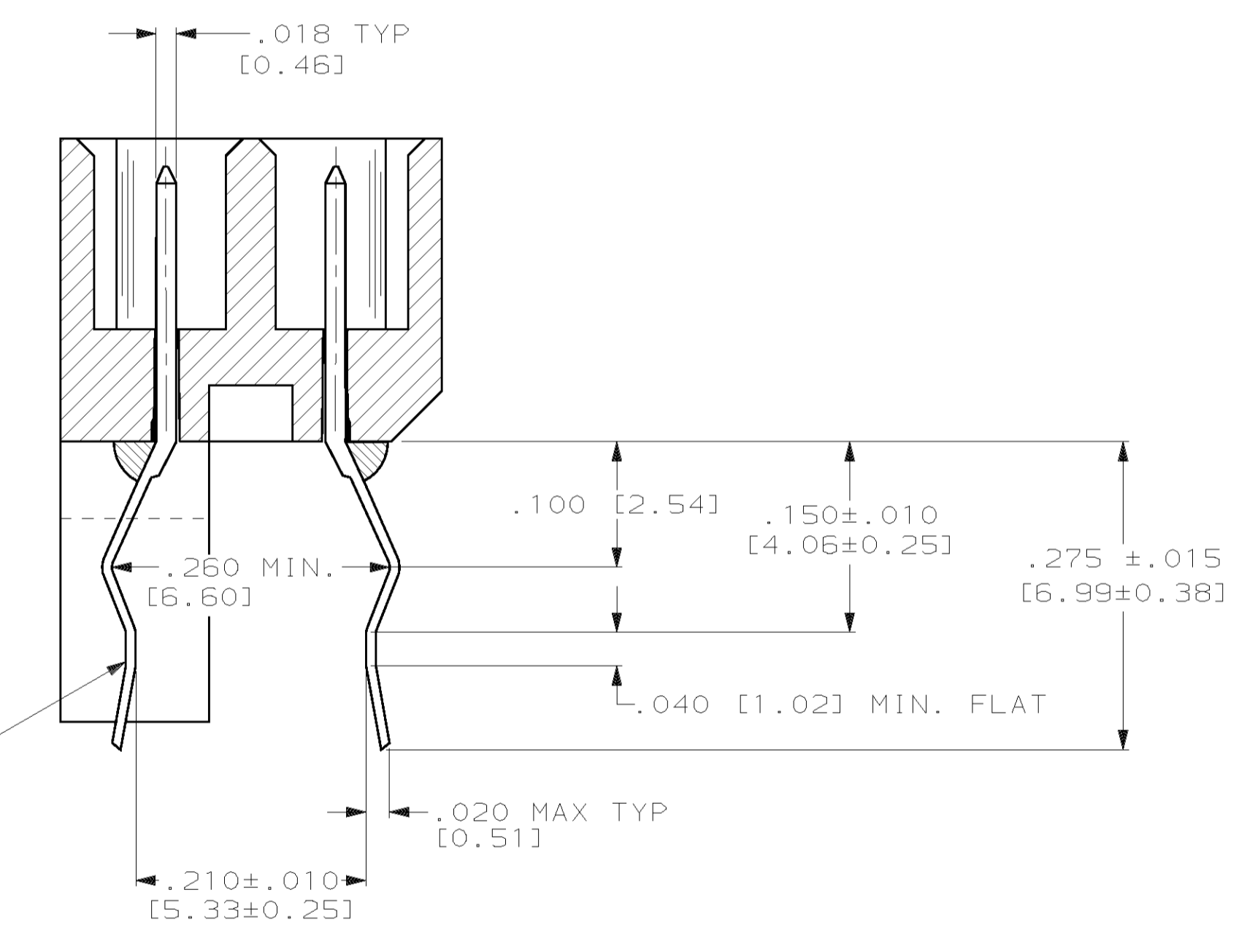
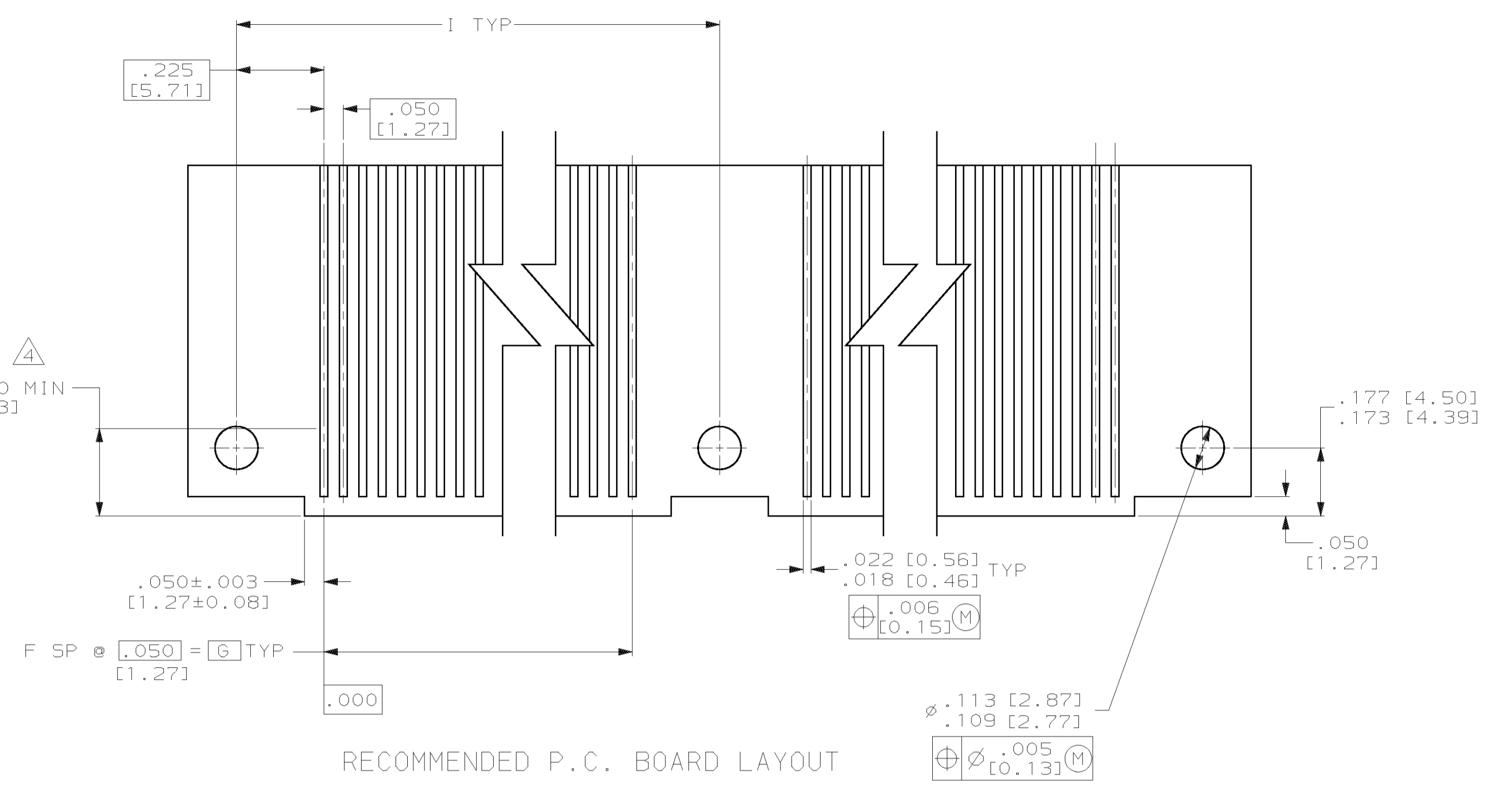
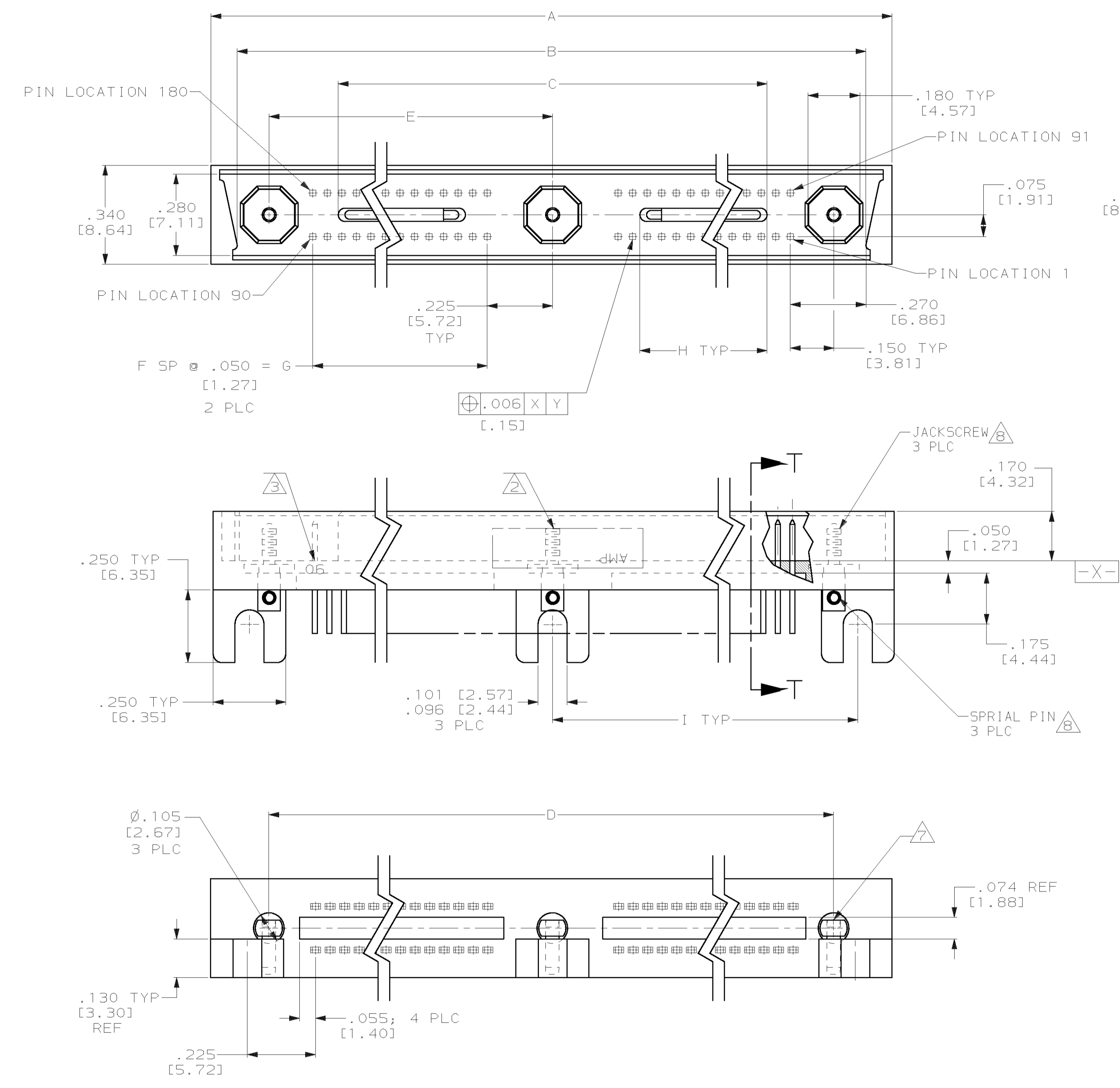


REVISONS		DATE	OWN	APPROV
DF	F0			
H	REV PER	063D-0525-03	3-04	CT DN



- CONNECTOR MEETS ALL APPLICABLE REQUIREMENTS OF MIL-C-55302.
- AMP, AMP PART NO. & DATE CODE MARKED IN THIS APPROXIMATE AREA.
- NUMBERS INDICATING END POSITIONS MARKED THIS SIDE ONLY.
- MINIMUM PAD LENGTH ON CIRCUIT BOARD.
- CONTACT FINISH: .000050 [0.0013] GOLD IN CONTACT AREA, TIN-LEAD ON CONTACT TAILS, ALL OVER NICKEL UNDERPLATE.
- HOUSING MATERIAL; LIQUID CRYSTAL POLYMER PER MIL-M-24519, GLCP-30F; COLOR: GRAY
- PIN TO BE FLUSH TO .010 RECESS. THIS SURFACE. -2 ONLY
- JACKSCREW AND SPIRAL PIN USED ON -2 ONLY.

1 & 80	2.400 [60.96]	1.790 [45.47]	1.950 [49.53]	39	2.325 [84.46]	4.650 [118.11]	4.190 [106.43]	4.890 [124.21]	5.050 [128.27]	160	447439-2
1 & 80	2.400 [60.96]	1.790 [45.47]	1.950 [49.53]	39	2.325 [84.46]	4.650 [118.11]	4.190 [106.43]	4.890 [124.21]	5.050 [128.27]	160	447439-1
CAVITY IDENT.	I	H	G	F	E	D	C	B	A	POSN.	PART NUMBER

AMP INCORPORATED
HARRISBURG, PA 17105-3608

C.C. THOMAS
D. GUTTER

AMP INCORPORATED
PIN HEADER ASSEMBLY,
EXTENDED MINI-BOX,
160 POSN, CARD EXTENDER

SIZE: A1
CAGE CODE: 00779
DRAWING NO: 447439

SCALE: 4:1
SHEET: 1 OF 1
REV: H