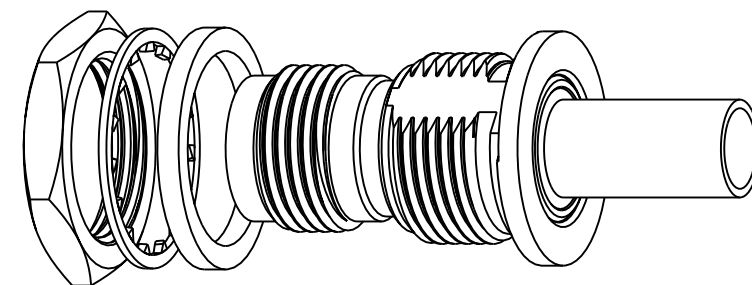


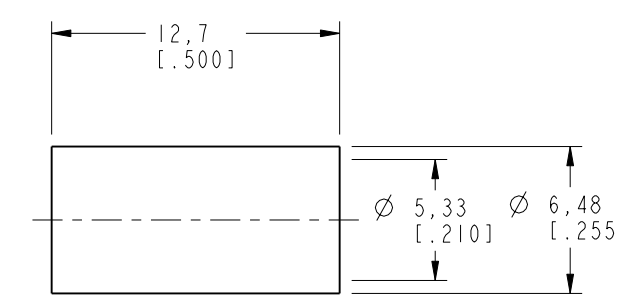
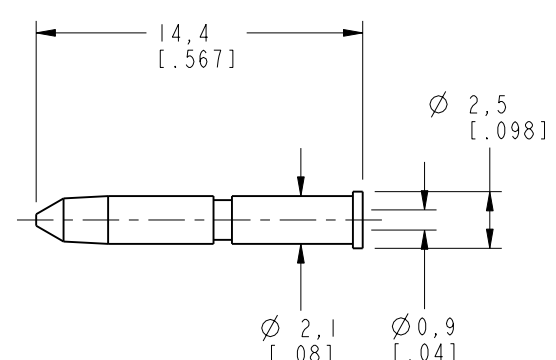
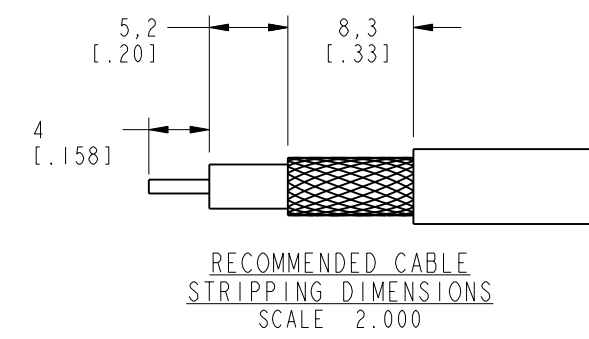
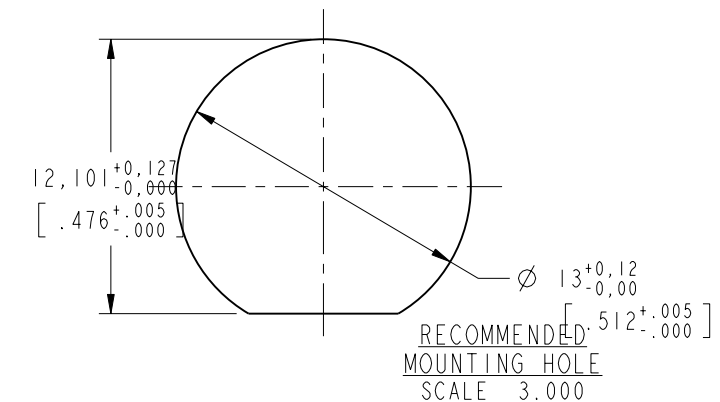
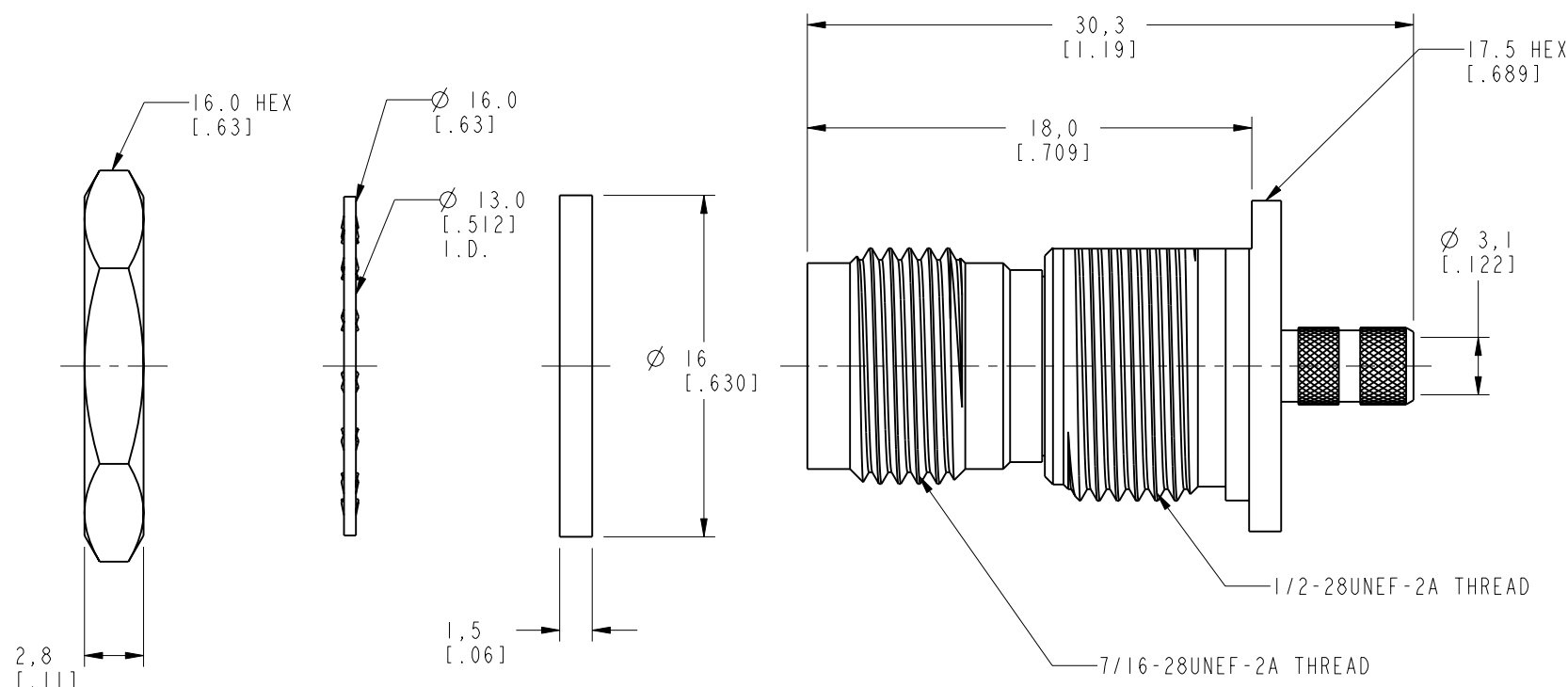
NOTES:

- MATERIALS OF CONSTRUCTION:  
 HOUSING, BODY, BARREL & HEX NUT = BRASS (QQ-B-626), NICKEL PLATED  
 LOCKWASHER = BRASS (QQ-B-613), NICKEL PLATED  
 CONTACT PIN = BRASS (QQ-B-626), GOLD PLATED  
 FERRULE = COPPER, NICKEL PLATED  
 INSULATOR = TEFLON PER MIL-P-19468  
 GASKET = SILICONE RUBBER, COLOR RED
- CRIMPED FERRULE = HEX CRIMP SIZE .213  
 CRIMPED CONTACT PIN = HEX CRIMP SIZE .068

31-6032		REVISIONS			
DRAWING NO.	REV	DESCRIPTION	DATE	ECO	APPR
THIRD ANGLE PROJ.	A	RELEASE TO MFG.	5/4/00	43356	CPM



SCALE 2.000



CUSTOMER OUTLINE DRAWING  
 ALL OTHER SHEETS ARE FOR INTERNAL USE ONLY

UNLESS OTHERWISE SPECIFIED, DIMENSIONS ARE IN INCHES AND TOLERANCES ARE: 0.5 - 6mm ±0.2mm 6 - 30mm ±0.4mm 30 - 120mm ±0.6mm	MATERIAL	DRAWN C. McGRATH	DATE 02-May-00	TITLE TNC REVERSE POLARITY BULKHEAD CRIMP JACK	Amphenol Amphenol Corporation Communication and Network Products Division Danbury, CT U.S.A. 06810
	REFERENCE EAR 967552-0 GEN# 31-6032_ASSY	ENGINEER T. AUBIN	DATE 02-May-00		
NOTICE - These drawings, specifications, or other data (1) are, and remain the property of Amphenol Corp. (2) must be returned upon request; and (3) are confidential and not to be disclosed to any person other than those to whom they are given by Amphenol Corp. The furnishing of these drawings, specifications, or other data by Amphenol Corp., or to any other person to anyone for any purpose is not to be regarded by implication or otherwise in any manner licensing, granting rights or permitting such holder or any other person to manufacture, use or sell any product, process or design, patented or otherwise, that may in any way be related to or disclosed by said drawings, specifications, or other data.		CAD FILE I:\TNC\31-6032	CODE ID 74868	DWG SIZE B	DRAWING NO. 31-6032
					SCALE: 3.0:1
					REV A