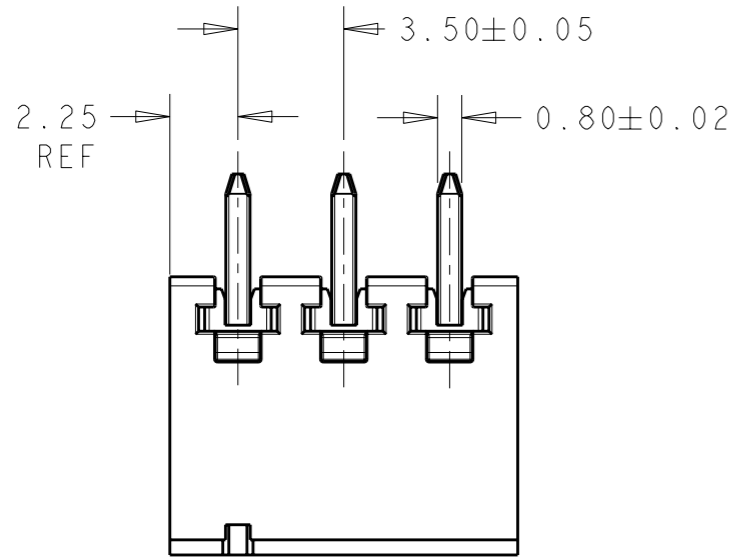


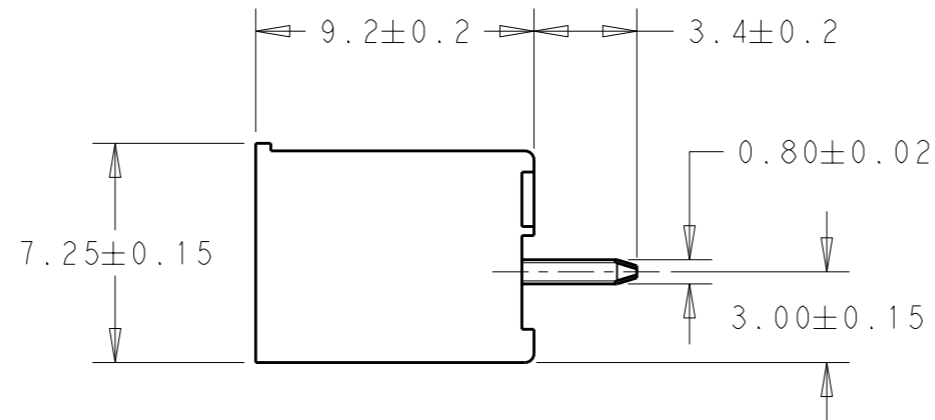
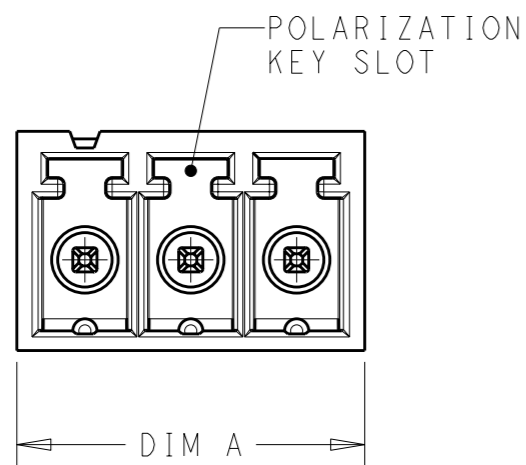
THIS DRAWING IS UNPUBLISHED. RELEASED FOR PUBLICATION 20

© COPYRIGHT 20 BY TYCO ELECTRONICS CORPORATION. ALL INTERNATIONAL RIGHTS RESERVED.

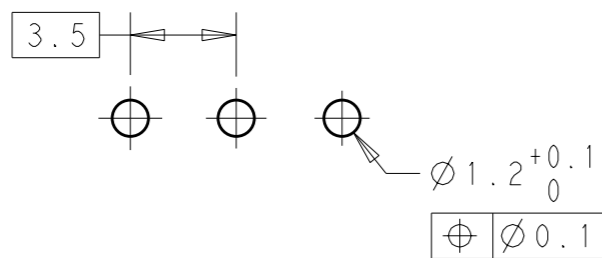
| LOC | DIST | REVISIONS | | | |
|-----|------|-------------|---------------------------|-----------|-------|
| P | LTR | DESCRIPTION | DATE | DWN | APVD |
| - | - | 01 | REVISED PER ECO-09-027788 | 06JAN2010 | SS CR |



- 1 MATERIAL AND FINISH:
 HOUSING: HIGH TEMPERATURE POLYAMIDE UL94V-0,
 COLOR: BLACK.
 TERMINAL: PHOSPHOR BRONZE, TIN PLATED.
2. SUITABLE FOR 1.6-2.4mm PC BOARD THICKNESS.
3. UL RATING: 300V, 11A.



| | | |
|-------|-------------|-------------|
| 43.0 | 12 | 1-1776130-2 |
| 39.5 | 11 | 1-1776130-1 |
| 36.0 | 10 | 1-1776130-0 |
| 32.5 | 9 | 1776130-9 |
| 29.0 | 8 | 1776130-8 |
| 25.5 | 7 | 1776130-7 |
| 22.0 | 6 | 1776130-6 |
| 18.5 | 5 | 1776130-5 |
| 15.0 | 4 | 1776130-4 |
| 11.5 | 3 | 1776130-3 |
| 8.0 | 2 | 1776130-2 |
| DIM A | NO. OF POS. | PART NUMBER |



RECOMMENDED PC BOARD LAYOUT

THIS DRAWING IS A CONTROLLED DOCUMENT FOR TYCO ELECTRONICS CORPORATION IT IS SUBJECT TO CHANGE AND THE CONTROLLING ENGINEERING ORGANIZATION SHOULD BE CONTACTED FOR THE LATEST REVISION.

| DIMENSIONS: | TOLERANCES UNLESS OTHERWISE SPECIFIED: |
|-------------|--|
| mm | |
| | 0 PLC ±- |
| | 1 PLC ±0.3 |
| | 2 PLC ±0.25 |
| | 3 PLC ±- |
| | 4 PLC ±- |
| | ANGLES ±2 |
| MATERIAL - | FINISH - |

| | |
|------------------|-----------|
| DWN | 06JAN2010 |
| S. SCHLEGEL | |
| CHK | 06JAN2010 |
| C RICHARD | |
| APVD | 06JAN2010 |
| C RICHARD | |
| PRODUCT SPEC | - |
| APPLICATION SPEC | - |
| WEIGHT | - |
| CUSTOMER DRAWING | |

| | | | |
|--|-----------|---|---------------|
| | | Tyco Electronics Harrisburg, PA 17105-3608 | |
| NAME TERMINAL BLOCK HEADER ASSEMBLY STRAIGHT, CLOSED ENDS, 3.5mm PITCH | | | |
| SIZE | CAGE CODE | DRAWING NO | RESTRICTED TO |
| A3 | 00779 | C-1776130 | - |
| SCALE | SHEET | OF | REV |
| 4:1 | 1 | 1 | 01 |