

PRODUCT NUMBER  
76341-XXXXLF

ROHS COMPATIBLE, SEE NOTE 5.

OPTIONAL LETTER

H: HIGH TEMPERATURE PRODUCT.

NUMBER OF POSITIONS: 02 TO 50.

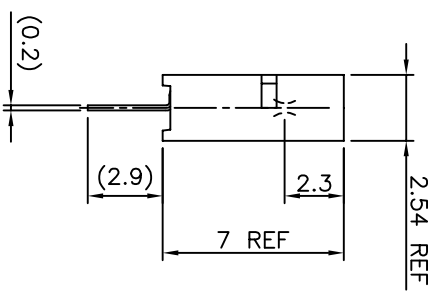
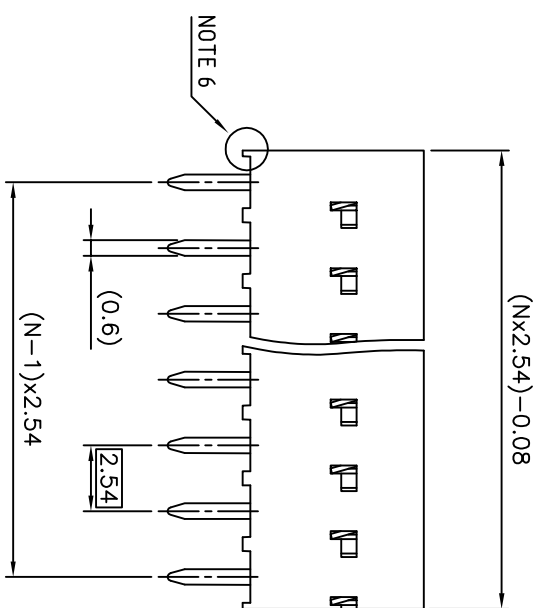
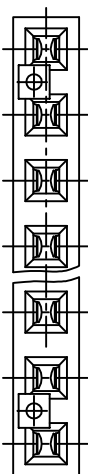
PLATING CODE

3= 0.76µm GOLD ON CONTACT AREA.

2µm MIN MATTE TIN ON TAIL.

4= 2µm MIN MATTE TIN FULL PLATED

1.27µm Ni MIN UNDERPLATING



NOTES:

- 1 - HOUSING MAT'L: THERMOPLASTIC GLASS FILLED FLAME RETARDANT PER UL 94 V-0  
LOW TEMPERATURE: COLOR BLUE  
HIGH TEMPERATURE: COLOR GREY.
- 2 - TERMINAL MATERIAL: PHOSPHOR BRONZE.
- 3 - 2 UP TO 4 POSITIONS PRODUCT PACKED IN PLASTIC BOX.
- 5 UP TO 50 POSITIONS PRODUCT PACKED IN TUBE.
- 4 - TO DETERMINE DIMENSIONS:  
N = NUMBER OF POSITIONS  
EXAMPLE: 8 POS: (Nx2.54)-0.08=20.24 mm
- 5 - ROHS COMPATIBLE PRODUCT SPECIFICATIONS

d - PLATING:

- "LF" MEANS THE PRODUCT IS LEAD-FREE, 2µm MINIMUM MATTE TIN OVER 1.27µm MINIMUM NICKEL UNDERPLATE.

b - MANUFACTURING PROCESS COMPATIBILITY

- THE HOUSING WILL WITHSTAND EXPOSURE TO 260°C ±5°C SOLDER BATH TEMPERATURE FOR 5 SECONDS IN A WAVE SOLDER APPLICATION WITH A 1.6mm MIN THICK CIRCUIT BOARD.

c - LABELING:

- MEETS PACKAGING SPECS AS PER GS-14-9220

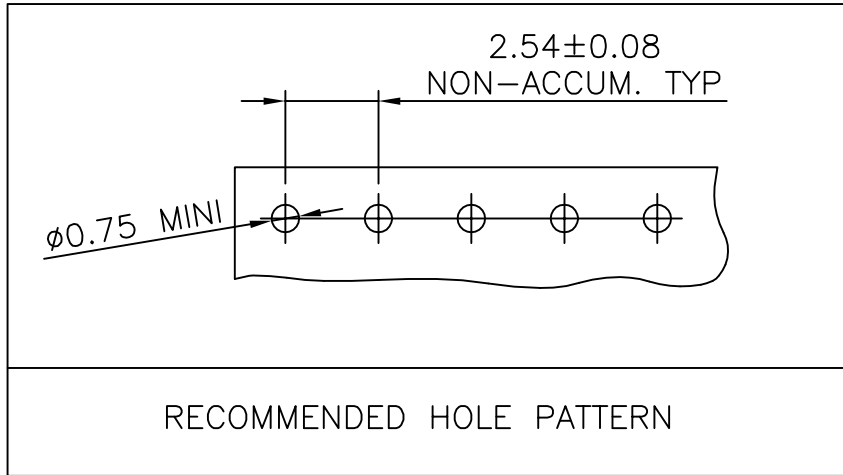
d - LEGAL STATEMENT: SEE GS-47-0004

- 6 - END STAND-OFFS FOR 1x2 UP TO 1X5 POS  
NO END STAND-OFFS FOR 1x6 UP TO 1x50 POS

mat'l. code		surface		tolerance		projection		product family		
SEE NOTES		ISO 1302	ISO 406	ISO 1001	mm		DUBOX			
tr	ecm no	dr	date	tolerances unless otherwise specified	angles	linear	±0.3	title		
P	F11-004	J00	12.02.22					BtB RECEIPT.		
R	B-19123	LMU	14.10.21					VERT SR TMT		
K	F10110	G00	01.01.16	D	LEGRAND			sheet 1 of 2		
L	F03-0284	DLE	03.10.07	engr	P	NIZZI		76341		
M	F04-0347	DLE	04.09.27	chr	D	LEGRAND		A3		
N	F06-0204	DLE	06.06.20	appr	P	NZ		CUSTOMER		
sheet	revision	R	B					Drawing		
index	sheet	1	2							

A

A



B

B



C

C

mat'l. code SEE SHEET 1				surface ISO 1302 <input checked="" type="checkbox"/>		tolerance ISO 406 ISO 1101		projection 		product family DUBOX				
ltr	ecn no	dr	date	tolerances unless otherwise specified				mm 		title BtB RECEPT. VERT SR TMT				
A	F04-0347	DLE	04.09.27	angles linear	±0.3				scale 5:1		dwg no 76341		sheet 2 of 2 size A4	
B	F06-0204	DLE	06.06.20		±2'									
				dr	D LEGRAND	04.09.27				type CUSTOMER Drawing				
				enr	P NIZZI	04.09.27								
				chr	D LE	04.09.27								
				appd	P NZ	04.09.27								
sheet index	revision sheet													

D

D