

# Customer Information Sheet

DRAWING No.: R60-300XX02

SHEET 2 OF 2

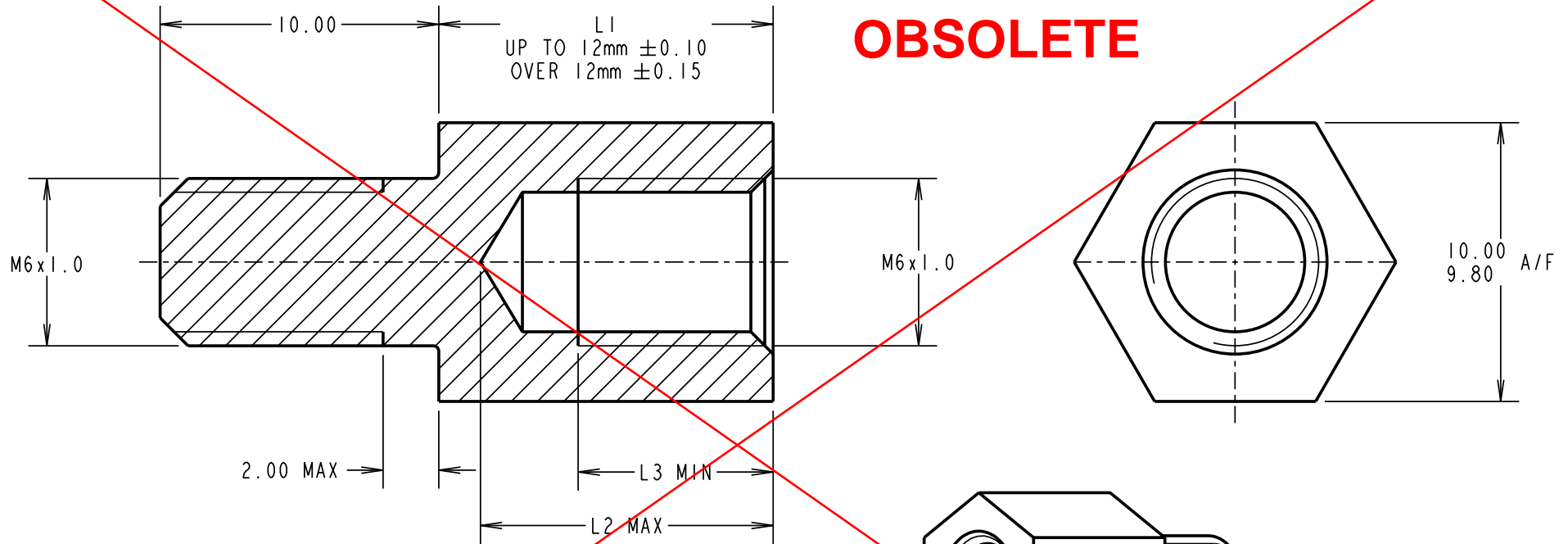
IF IN DOUBT - ASK

©

NOT TO SCALE

THIRD ANGLE PROJECTION

ALL DIMENSIONS IN mm



**OBSOLETE**

PART No.	L1	L2	L3	PART No.	L1	L2	L3
R60-3001002	10.00	9.0	5.00	R60-3001802	18.00	16.5	11.50
R60-3001102	11.00	10.0	6.00	R60-3002002	20.00	16.5	11.50
R60-3001202	12.00	11.0	7.00	R60-3002502	25.00	16.5	11.50
R60-3001302	13.00	12.0	8.50	R60-3003002	30.00	16.5	11.50
R60-3001402	14.00	13.0	9.50	R60-3003502	35.00	16.5	11.50
R60-3001502	15.00	14.0	10.50	R60-3004002	40.00	16.5	11.50
R60-3001602	16.00	15.0	11.50	R60-3005002	50.00	16.5	11.50

ORDER CODE:  
**R60-300XX02**  
LENGTH L1 IN mm \_\_\_\_\_

SF	5	10.10.08	10174
NAME	ISS.	DATE	C/NOTE
APPROVED:		SF	
CHECKED:		MGP	
DRAWN:		A. LIOTTA	
CUSTOMER REF.:			
ASSEMBLY DRG:			

**HARWIN**

HARWIN USA  
TEL: 603 893 5376  
FAX: 603 893 5396  
mis@harwin.com

HARWIN Europe (UK)  
TEL: 023 9231 4545  
FAX: 023 9231 4590  
mis@harwin.co.uk

HARWIN Asia  
TEL: +65 6 779 4909  
FAX: +65 6 779 3868  
mis@harwin.com.sg

THIS DRAWING AND ANY INFORMATION OR DESCRIPTIVE MATTER SET OUT HEREON ARE CONFIDENTIAL AND COPYRIGHT PROPERTY OF THE HARWIN GROUP AND MUST NOT BE DISCLOSED, LOANED, COPIED OR USED FOR MANUFACTURING, TENDERING OR FOR ANY OTHER PURPOSE WITHOUT THEIR WRITTEN PERMISSION.

TOLERANCES  
X. = ±1mm  
X.X = ±0.25mm  
X.XX = ±0.10mm  
X.XXX = ±0.01mm  
ANGLES = ±5°  
UNLESS STATED

MATERIAL:  
BRASS CW614N M TO BS EN 12164 (CuZn39Pb3)

FINISH: NICKEL

S/AREA: mm<sup>2</sup>

TITLE:  
M6 HEXAGONAL MALE/FEMALE SPACER

DRAWING NUMBER:  
**R60-300XX02**

SHT 2 OF 2