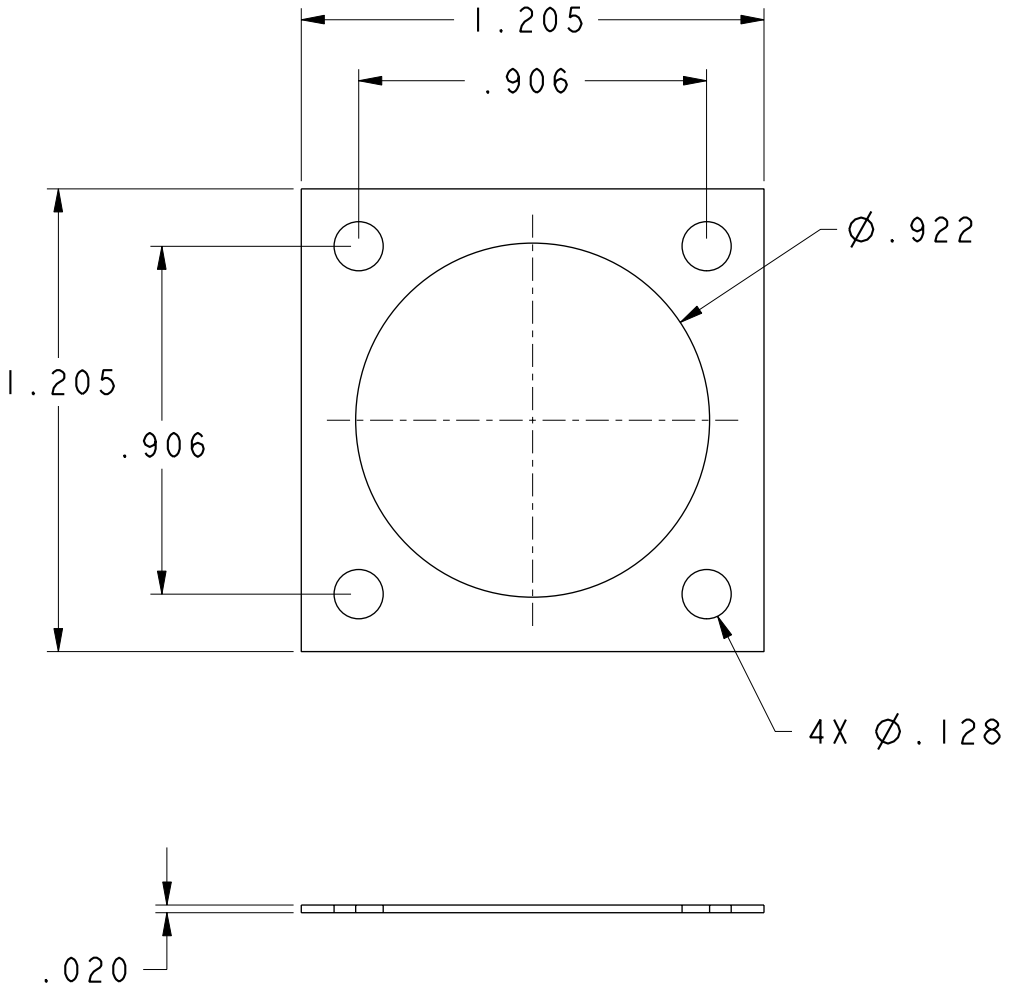


NOTES:

- 1.0 PACKAGING: PARTS PACKED AND SEALED IN PLASTIC BAGS.
- 2.0 IDENTIFICATION: MARK EACH BAG WITH PART NO. QUANTITY, DATE CODE AND LAIRD FED IDENT. NO.



MATERIAL "XX"	TOLERANCES NOT SHOWN		 DELAWARE WATER GAP PENNSYLVANIA	DRAWN BY:	DATE:
	DECIMAL 2 PL'S \pm .020	DECIMAL 3 PL'S \pm .010		SDH	02/18/05
ECE 89 FSIL/Ag/Al	ANGULAR \pm 3°	THIRD ANGLE PROJECTION	CHECKED:	DATE:	
			EWS	02/18/05	
			APPROVED:	DATE:	
			AJP	02/18/05	
CROSS SECTION AREA: IN ²		UNITS: INCH [MM]	SCALE: 2:1	CUSTOMER LAIRD GERMANY	
CAD MAINTAINED DRAWING. MANUAL CHANGES UNAUTHORIZED.				REF. DWG. NO. 06002874	DWG. NO. 6012-0027-02
					REV 01
				SHEET 1 OF 1	