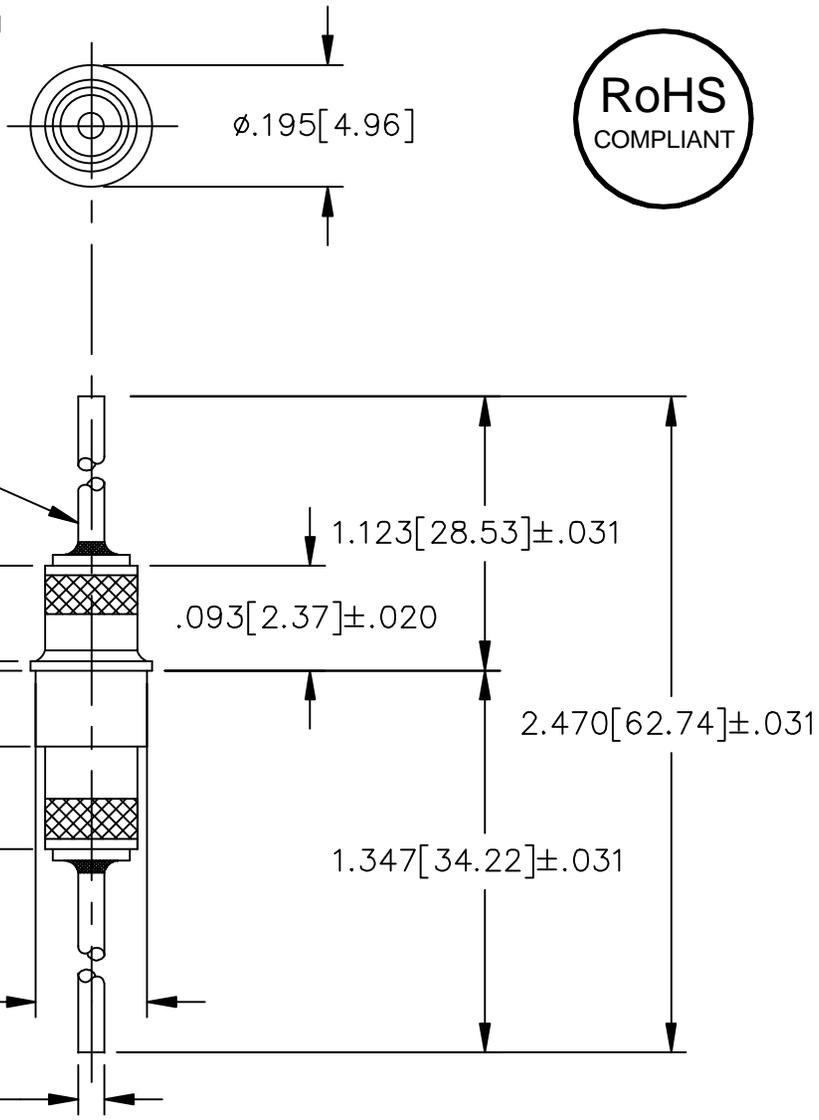
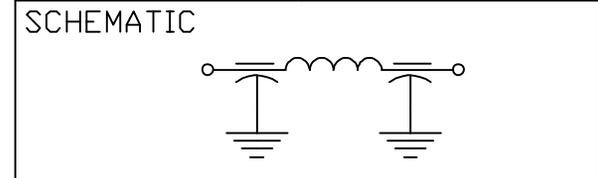


NOTES:

1. SUGGESTED MOUNTING HOLE = $\phi.147 \pm .001$
2. MAX REFLOW IS 245° FOR 5 SEC.
THIS IS A RoHS PART.



LEAD FINISH: SILVER	
EYELET FINISH: SILVER	
CAPACITANCE	3000pF GMV
TEMP. RANGE	-55°C TO 125°C
CURRENT	10 AMP MAX.
WORKING VOLTAGE	85°C -- VDC MAX. 125°C 200 VDC MAX.
D.C. RESISTANCE	.01ohms MAX.
MIN. I.L. PER MIL-STD-220 AT 25°C NO LOAD	
FREQ. MHz	I.L. (db)
10	10
30	25
100	50
300	65
1 GHz	65



MARKING:

PART: NONE
 BAG:
 51F-750-322
 DATE CODE
 QTY./BAG (200 MAX.)

				00	REV. NO.	UNLESS OTHERWISE SPECIFIED DIMENSIONS ARE IN INCHES. [MILLIMETERS] DO NOT SCALE.	TOLERANCES UNLESS OTHERWISE SPECIFIED
				CN 28693-CPD	CHANGE NOTICE		Fractions $\pm 1/64$
							Dec. .xx \pm
							Dec. .xxx $\pm .005$
						Angles $\pm 0^\circ 30'$	
						CODE IDENT. NO.	DLSP2
						THIRD ANGLE PROJECTION	

ERIE, FAIRVIEW PENNSYLVANIA

SPECTRUM CONTROL INC.

Dwn. P. WELLS	Description
Ckd. 6-14-06	SOLDER MNT. FILTER
Engr. R. STRUCHEN	51F-750-322
Scale NONE	