

RIGHT ANGLE RECEPTACLE ASSEMBLY PRODUCT NUMBER
10108888- X PP SS C M LF

MOUNTING FEATURES
H = HOLD DOWNS
S = SCREW MOUNT (EXCEPT FOR P STYLE)

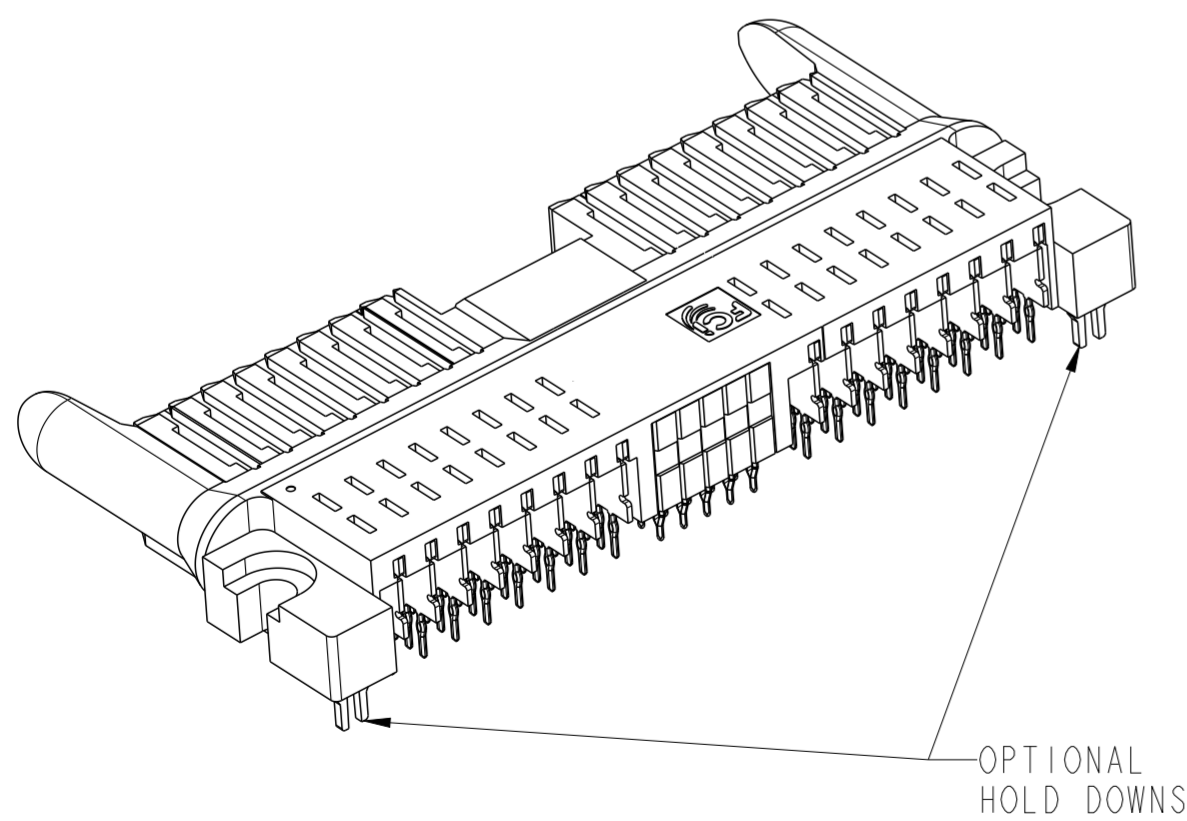
CENTER LINE DISTANCE BETWEEN POWER AND SIGNAL POSITIONS AT MATING SURFACE:
3 = 4.375

NUMBER OF SIGNAL CONTACTS
00 OR 10 TO 40 IN INCREMENTS OF 5

TOTAL NUMBER OF POWER CONTACTS. IF STYLE S, THEY WILL BE DIVIDED EQUALLY WITH HALF ON THE LEFT AND HALF ON THE RIGHT SIDES OF THE SIGNAL GROUP. 02 TO 24 IN EVEN NUMBER INCREMENTS. IF STYLE P, THE RANGE IS 06 TO 30.

STYLE
P = POWER ONLY-NO SIGNAL
L = SIGNAL ON THE LEFT, POWER ON THE RIGHT
R = POWER ON THE LEFT, SIGNAL ON THE RIGHT
S = POWER ON THE LEFT, SIGNAL IN THE CENTER, POWER ON THE RIGHT

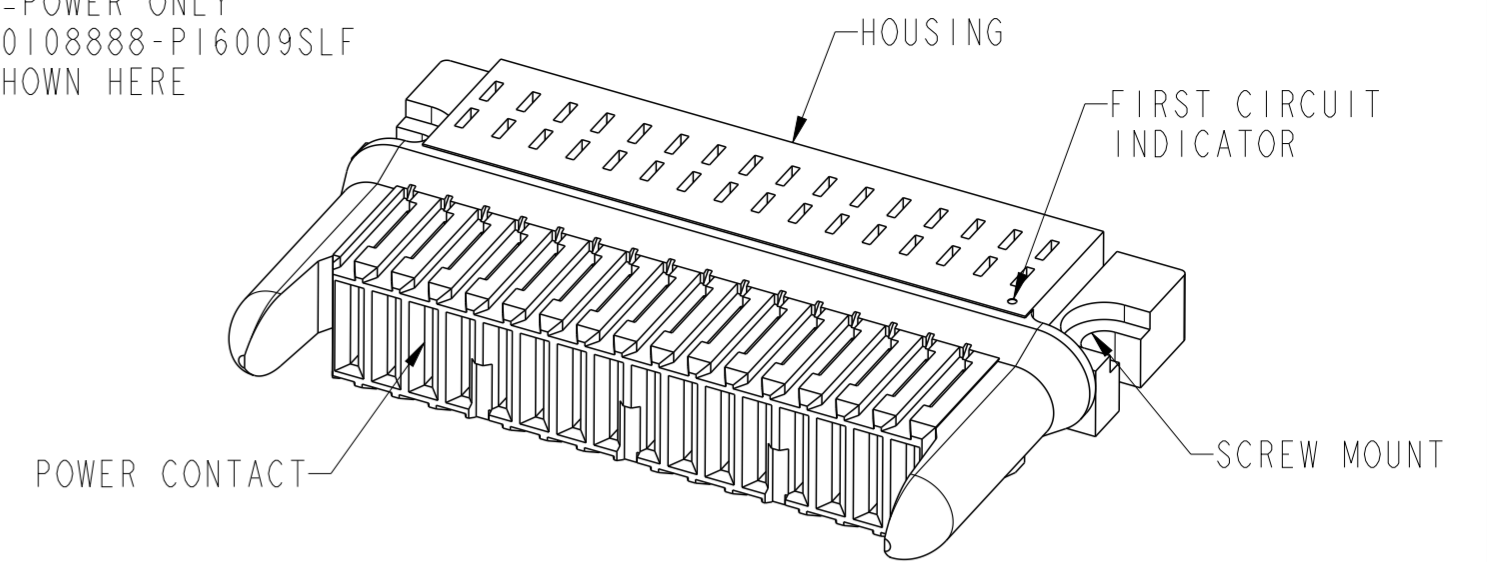
EXAMPLE:
10108888-R10253SLF IS A RIGHT ANGLE RECEPTACLE ASSEMBLY WITH 5 COLUMNS (25 TOTAL) OF SIGNAL PINS ON THE LEFT SIDE AND 10 POWER CONTACTS ON THE RIGHT SIDE, WITH A 4.375 DISTANCE BETWEEN THE SIGNAL AND THE POWER CONTACTS AND WITH SCREW MOUNT ENDS.



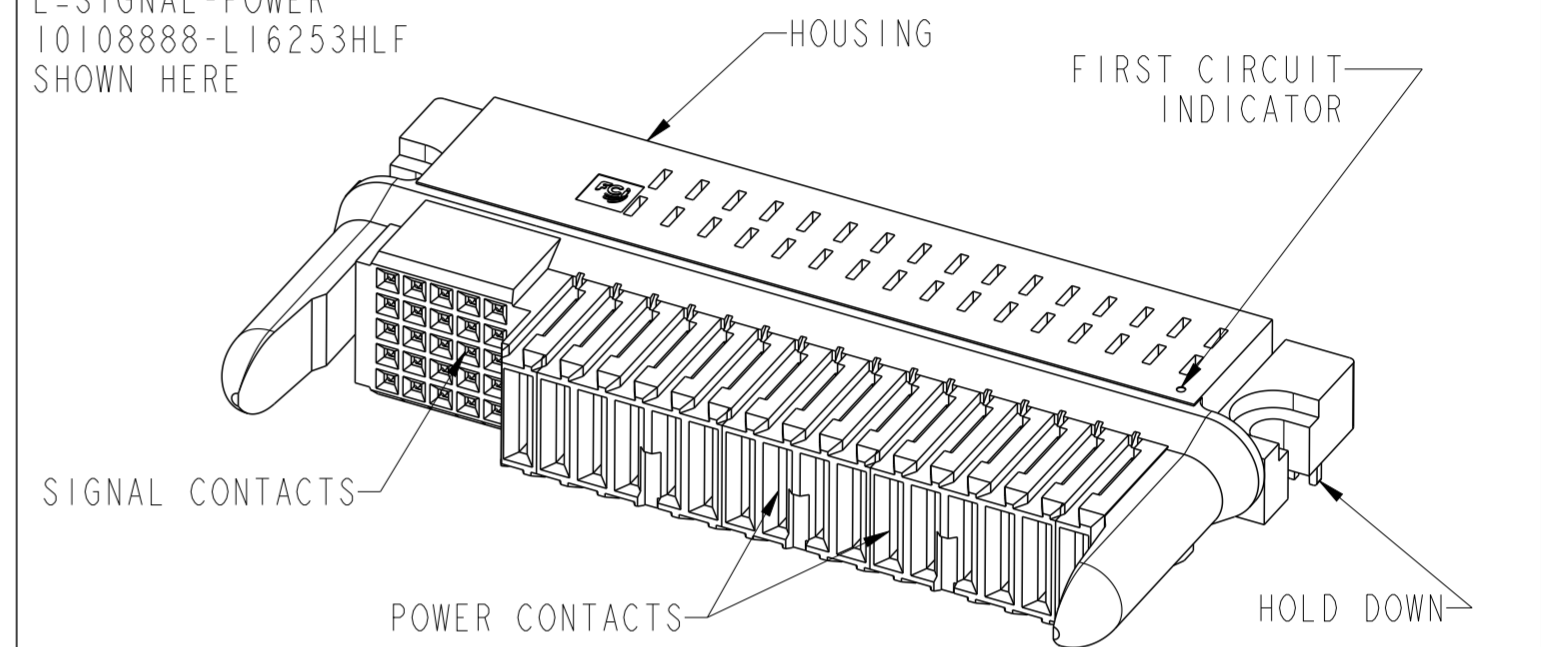
OPTIONAL HOLD DOWNS

MOUNTING FEATURES

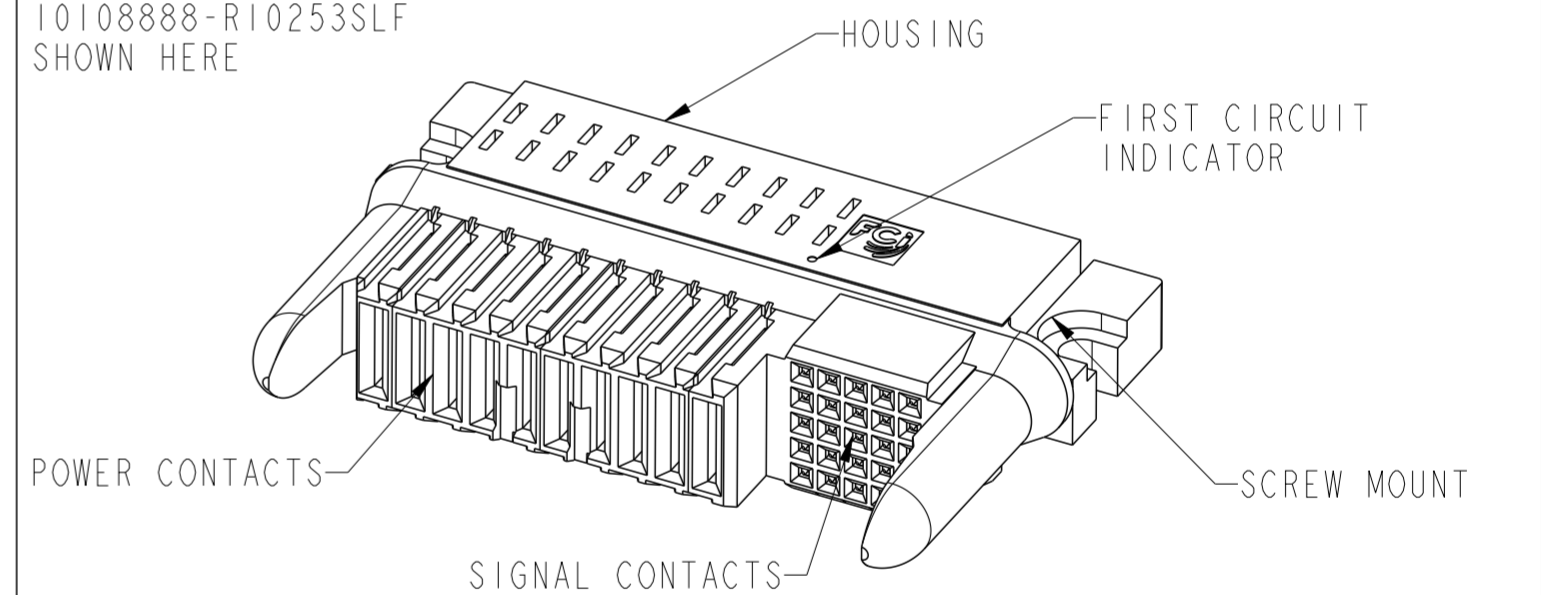
P=POWER ONLY
10108888-PI6009SLF
SHOWN HERE



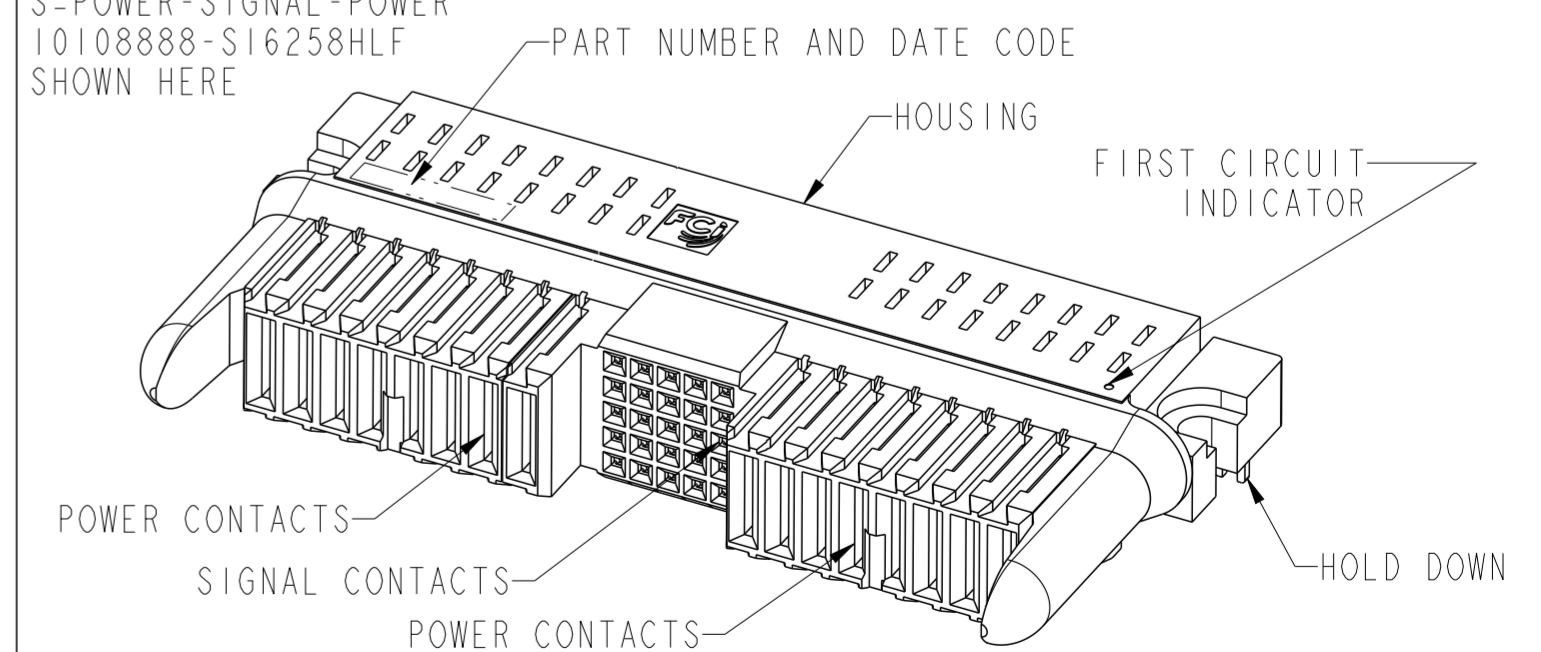
L=SIGNAL-POWER
10108888-LI6253HLF
SHOWN HERE



R=POWER-SIGNAL
10108888-R10253SLF
SHOWN HERE

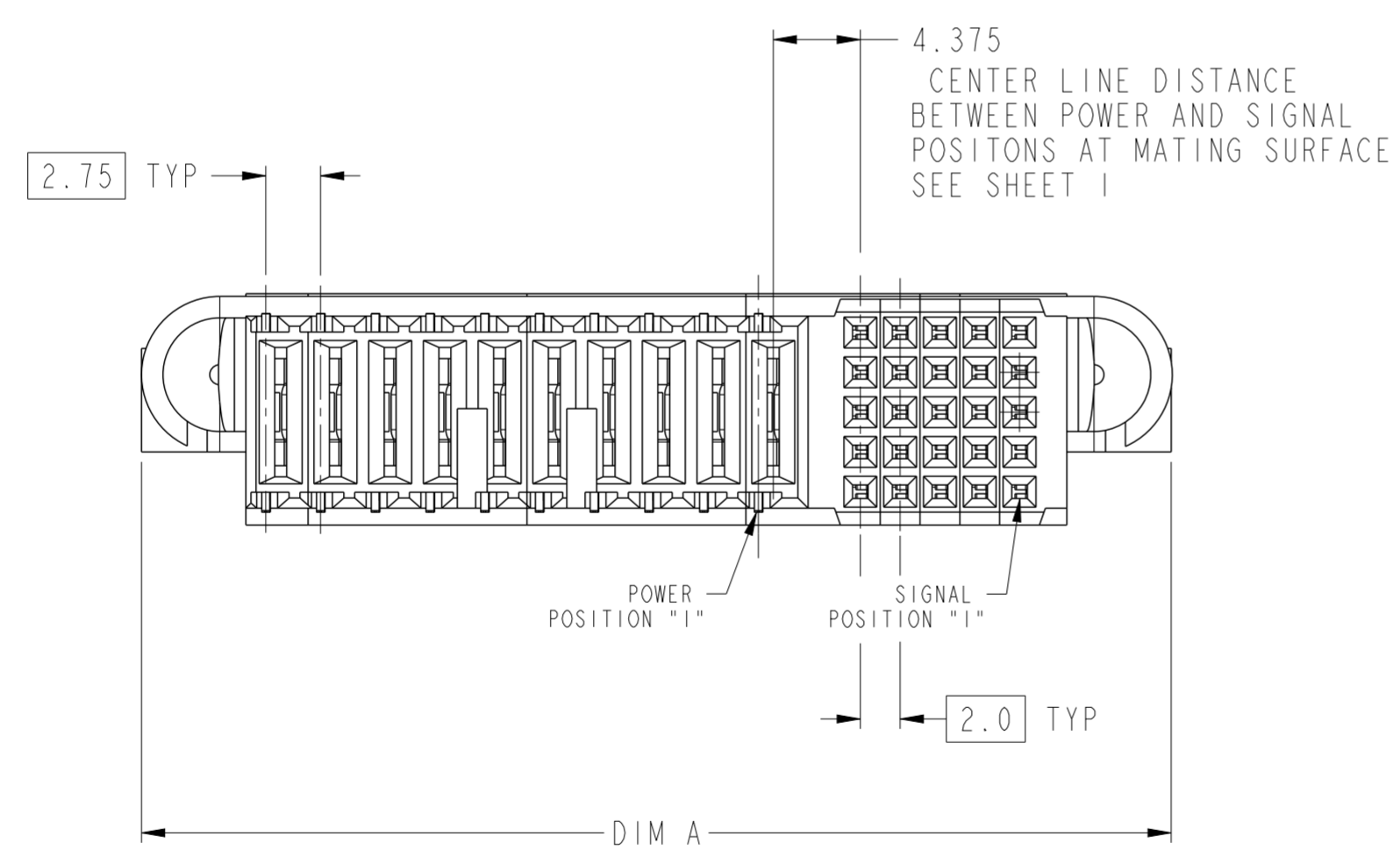
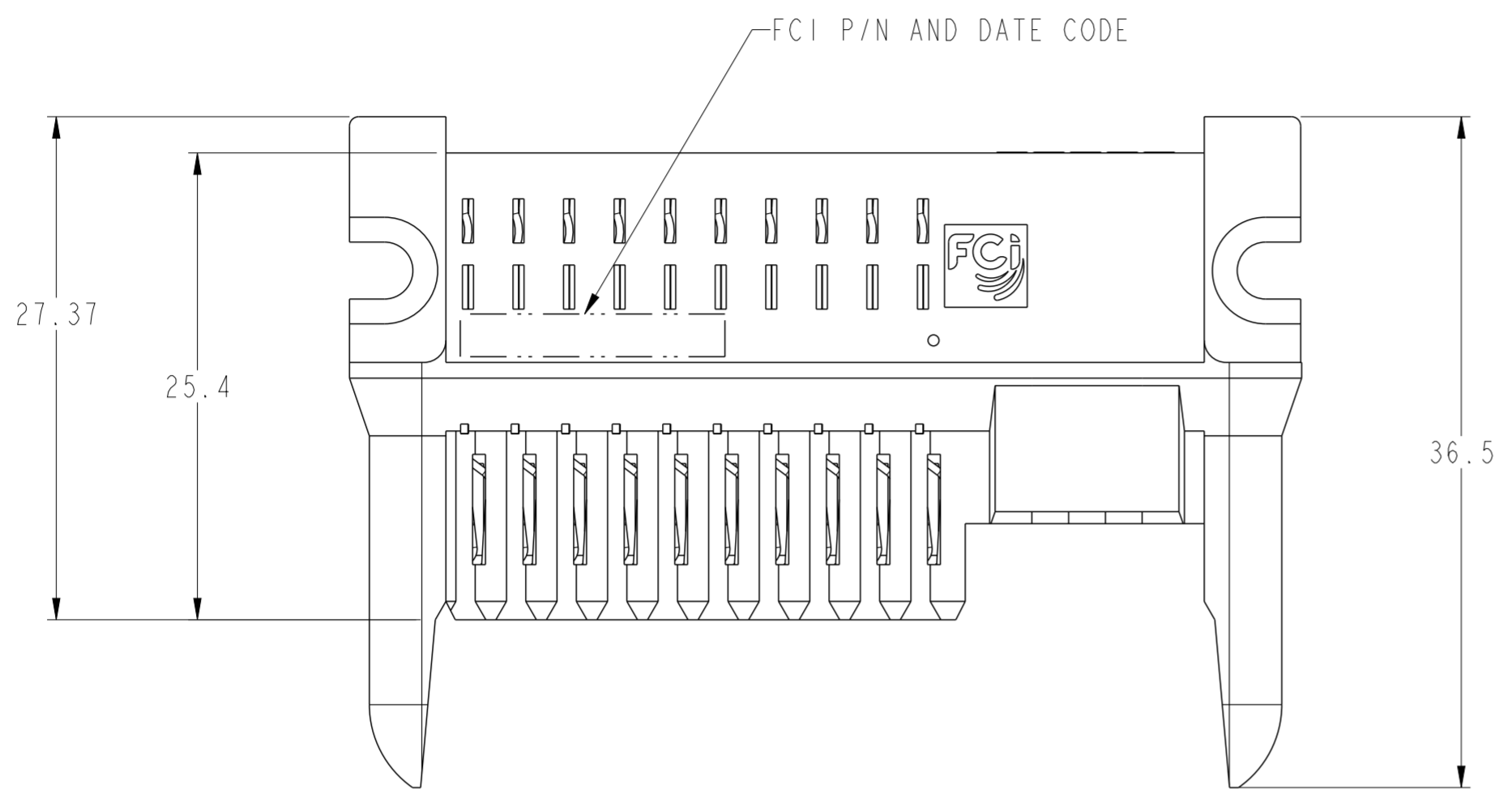


S=POWER-SIGNAL-POWER
10108888-SI6258HLF
SHOWN HERE



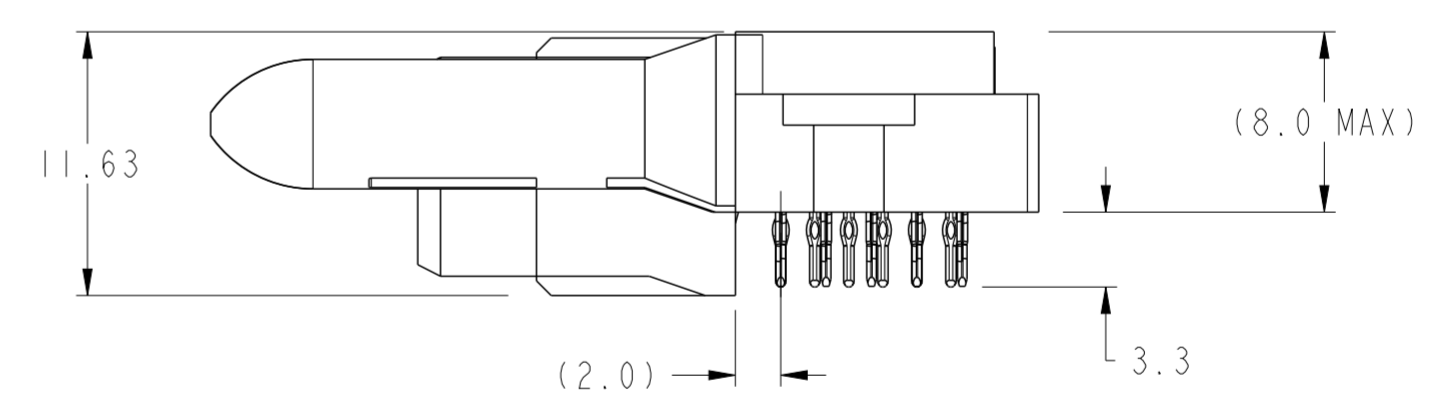
STYLE

spec ref	-	dr	Zhang Hong-Tu	2012/07/04	projection	MM	size	A2	scale	1:1													
tolerance std	ASME Y14.5	eng	Heaven Cen	2014/03/02			ecn no	ELX-DG-17027-1															
TOLERANCES UNLESS OTHERWISE SPECIFIED		chr	Jon Qin	2014/03/02			product family	PwrLoPro	rel level	Released													
surface	<table border="1"> <tr> <td>linear</td> <td>0.X</td> <td>±0.30</td> </tr> <tr> <td></td> <td>0.XX</td> <td>±0.20</td> </tr> <tr> <td></td> <td>0.XXX</td> <td>±0.10</td> </tr> <tr> <td>angular</td> <td>0°</td> <td>±2°</td> </tr> </table>	linear	0.X	±0.30				0.XX	±0.20		0.XXX	±0.10	angular	0°	±2°	apppr	Collins Lu	2014/03/02	www.fci.com	title	PWR LP RECEPTACLE ASSEMBLY	cat. no.	10108888
linear	0.X	±0.30																					
	0.XX	±0.20																					
	0.XXX	±0.10																					
angular	0°	±2°																					
ASME Y14.5		Product - Customer Drw		sheet 1 of 7																			



10108888-R10253SLF AS SHOWN
SCREW MOUNT TYPE

PART NUMBER	CONFIGURATION	DIM "A"	DIM "B"	"C" SPACES	"D" SPACES	"E" PLACES	"F" PLACES	MOUNTING FEATURE
10108888-R10253SLF	10P + 25S	51.74	47.94	4	9	25	60	SCREW MOUNT
10108888-R08253SLF	08P + 25S	46.24	42.44	4	7	25	48	SCREW MOUNT
10108888-R18353SLF	18P + 35S	77.74	73.94	6	17	35	108	SCREW MOUNT
10108888-R20353SLF	20P + 35S	83.24	79.44	6	19	35	120	SCREW MOUNT
10108888-R24403SLF	24P + 40S	96.24	92.44	7	23	40	144	SCREW MOUNT



spec ref	-	dr	Zhang Hong-Tu	2012/07/04	projection	MM	size	A2	scale	1:1	
tolerance std	ASME Y14.5	eng	Heaven Cen	2014/03/02			ecn no	ELX-DG-17027-1			
TOLERANCES UNLESS OTHERWISE SPECIFIED		chr	Jon Qin	2014/03/02			rel level	Released			
surface	linear	0.X	±0.30	0.XX			±0.20	0.XXX	±0.10	angular	0°
ASME Y14.5		appr	Collins Lu	2014/03/02	product family	PwrLoPro	rel level	Released			
				PWR LP RECEPTACLE ASSEMBLY RA, PASSIVE GUIDE		title PWR LP RECEPTACLE ASSEMBLY RA, PASSIVE GUIDE	dwg no 10108888	rev H			
		www.fci.com		cat. no.	Product - Customer Drw		sheet 2 of 7				

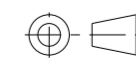


FOR SCREW MOUNT
2X $\varnothing 3.05 \pm 0.05$
 $\varnothing 0.05$ M Z X Y
SEE NOTE 5

F- \varnothing X PLC
 $\varnothing 0.05$ M Z X Y
SEE NOTE 6

E- \varnothing X PLC
 $\varnothing 0.05$ M Z X Y
SEE NOTE 6

KEEP OUT AREA

10108888-R10253SLF SHOWN
RECOMMENDED PRINTED CIRCUIT BOARD LAYOUT SEE NOTE 4
FOR 10108888-RXXXX3SLF
(AS VIEWED FROM COMPONENT SIDE)

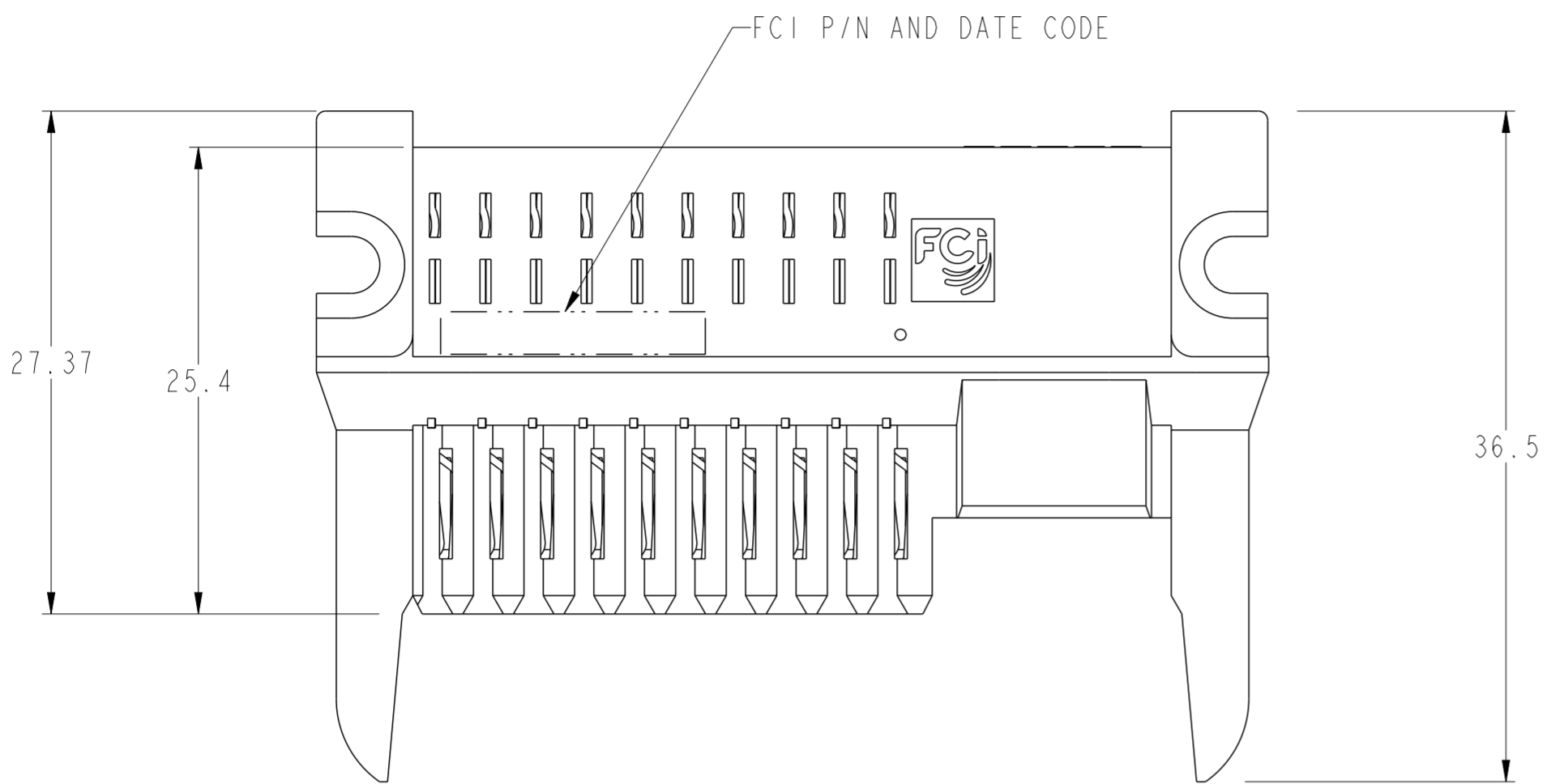
spec ref	-	dr	Zhang Hong-Tu	2012/07/04	projection	MM	size	A2	scale	1:1		
tolerance std	ASME Y14.5	eng	Heaven Cen	2014/03/02			ecn no	ELX-DG-17027-1				
TOLERANCES UNLESS OTHERWISE SPECIFIED		chr	Jon Qin	2014/03/02			rel level	Released				
surface	ASME Y14.5	appr	Collins Lu	2014/03/02			product family	PwrLoPro				
linear	0.X	±0.30			title PWR LP RECEPTACLE ASSEMBLY RA, PASSIVE GUIDE	dwg no 10108888	rev H					
	0.XX	±0.20						cat. no.	Product - Customer Drw		sheet 3 of 7	
angular	0°	±2°										

PDS: Rev :H

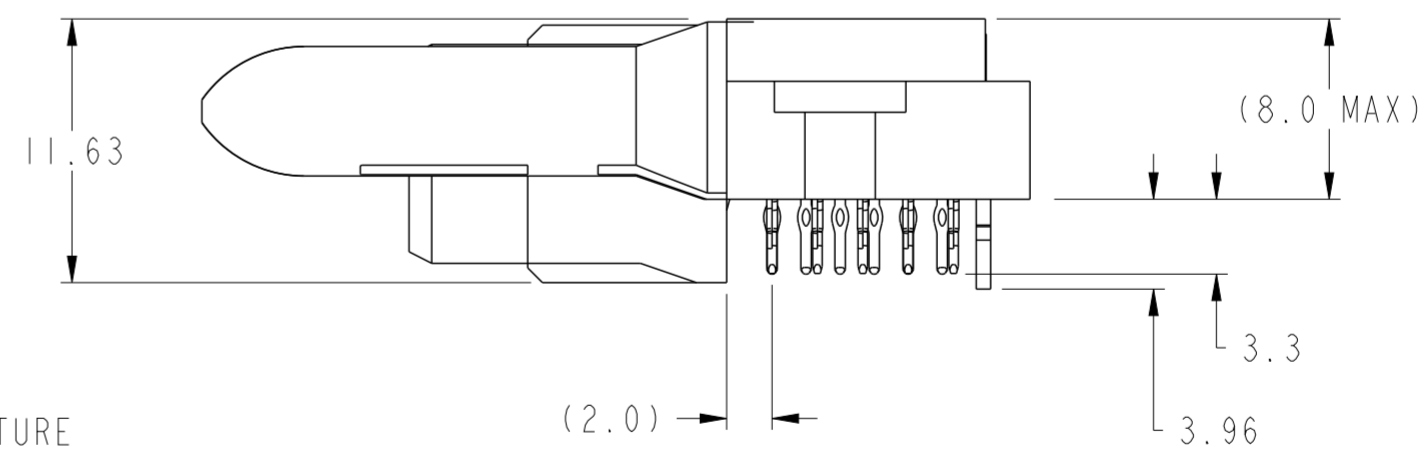
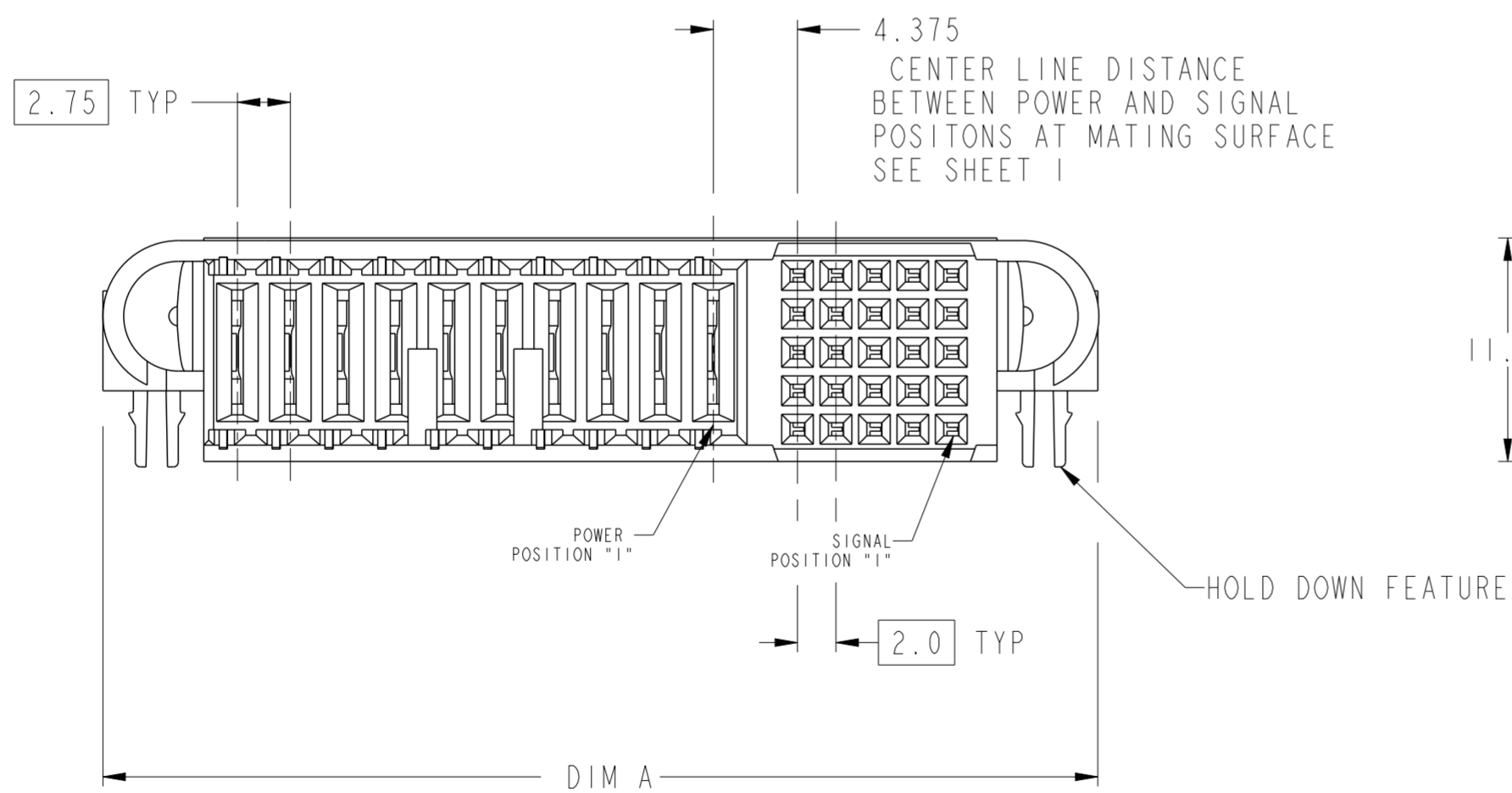
STATUS:Released

Printed: Mar 03, 2014

Copyright FCI.

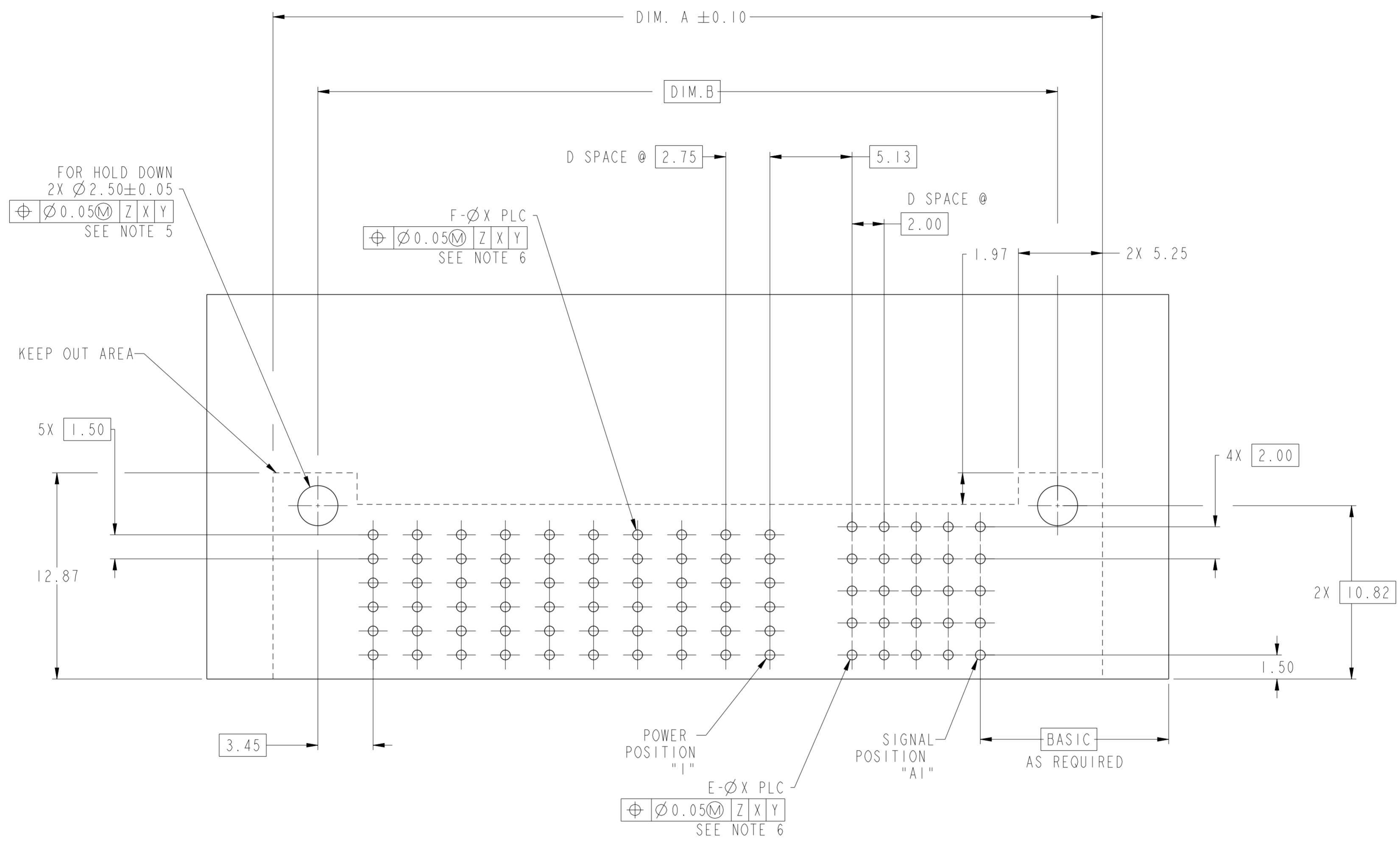


PART NUMBER	CONFIGURATION	DIM "A"	DIM "B"	"C" SPACES	"D" SPACES	"E" PLACES	"F" PLACES	MOUNTING FEATURE
10108888-R10253HLF	10P + 25S	51.74	46.14	4	9	25	60	HOLD DOWN
10108888-R08253HLF	08P + 25S	46.24	40.64	4	7	25	48	HOLD DOWN
10108888-R18353HLF	18P + 35S	77.74	72.14	6	17	35	108	HOLD DOWN
10108888-R20353HLF	20P + 35S	83.24	77.64	6	19	35	120	HOLD DOWN
10108888-R24403HLF	24P + 40S	96.24	90.64	7	23	40	144	HOLD DOWN



10108888-R10253HLF AS SHOWN
HOLD DOWN TYPE

spec ref	-	dr	Zhang Hong-Tu	2012/07/04	projection	MM	size	A2	scale	1:1	
tolerance std	ASME Y14.5	eng	Heaven Cen	2014/03/02			ecn no	ELX-DG-17027-1	rel level	Released	
TOLERANCES UNLESS OTHERWISE SPECIFIED		chr	Jon Qin	2014/03/02							
		appr	Collins Lu	2014/03/02							
surface	linear	0.X	±0.30		PWR LP RECEPTACLE ASSEMBLY RA, PASSIVE GUIDE	dwg no 10108888	rev H	Product - Customer Drw			
	0.XX	±0.20	www.fci.com					cat. no.	Product - Customer Drw	sheet 4 of 7	
	0.XXX	±0.10									
ASME Y14.5	angular	0°	±2°								



10108888-R10253HLF SHOWN
 RECOMMENDED PRINTED CIRCUIT BOARD LAYOUT SEE NOTE 4
 FOR 10108888-RXXXX3HLF
 (AS VIEWED FROM COMPONENT SIDE)

spec ref	-	dr	Zhang Hong-Tu	2012/07/04	projection	MM	size	A2	scale	1:1	
tolerance std	ASME Y14.5	eng	Heaven Cen	2014/03/02			ecn no	ELX-DG-17027-1			
TOLERANCES UNLESS OTHERWISE SPECIFIED		chr	Jon Qin	2014/03/02			rel level	Released			
surface	✓	appr	Collins Lu	2014/03/02			product family	PwrLoPro			
ASME Y14.5	linear	0.X	±0.30		title PWR LP RECEPTACLE ASSEMBLY RA, PASSIVE GUIDE	dwg no 10108888	rev H	Product - Customer Drw			
	angular	0°	±2°					cat. no.	sheet 5 of 7		
								www.fci.com			

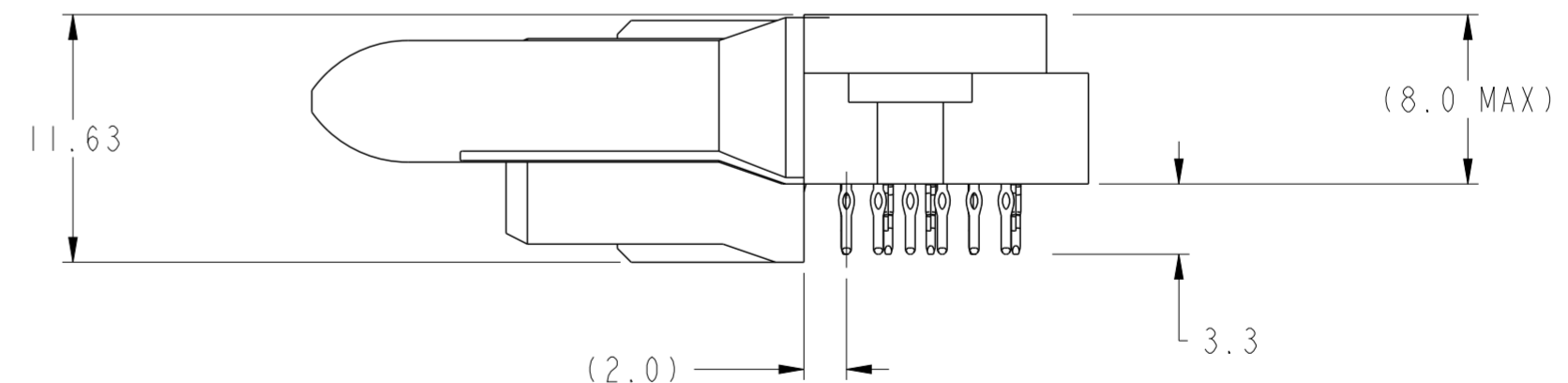
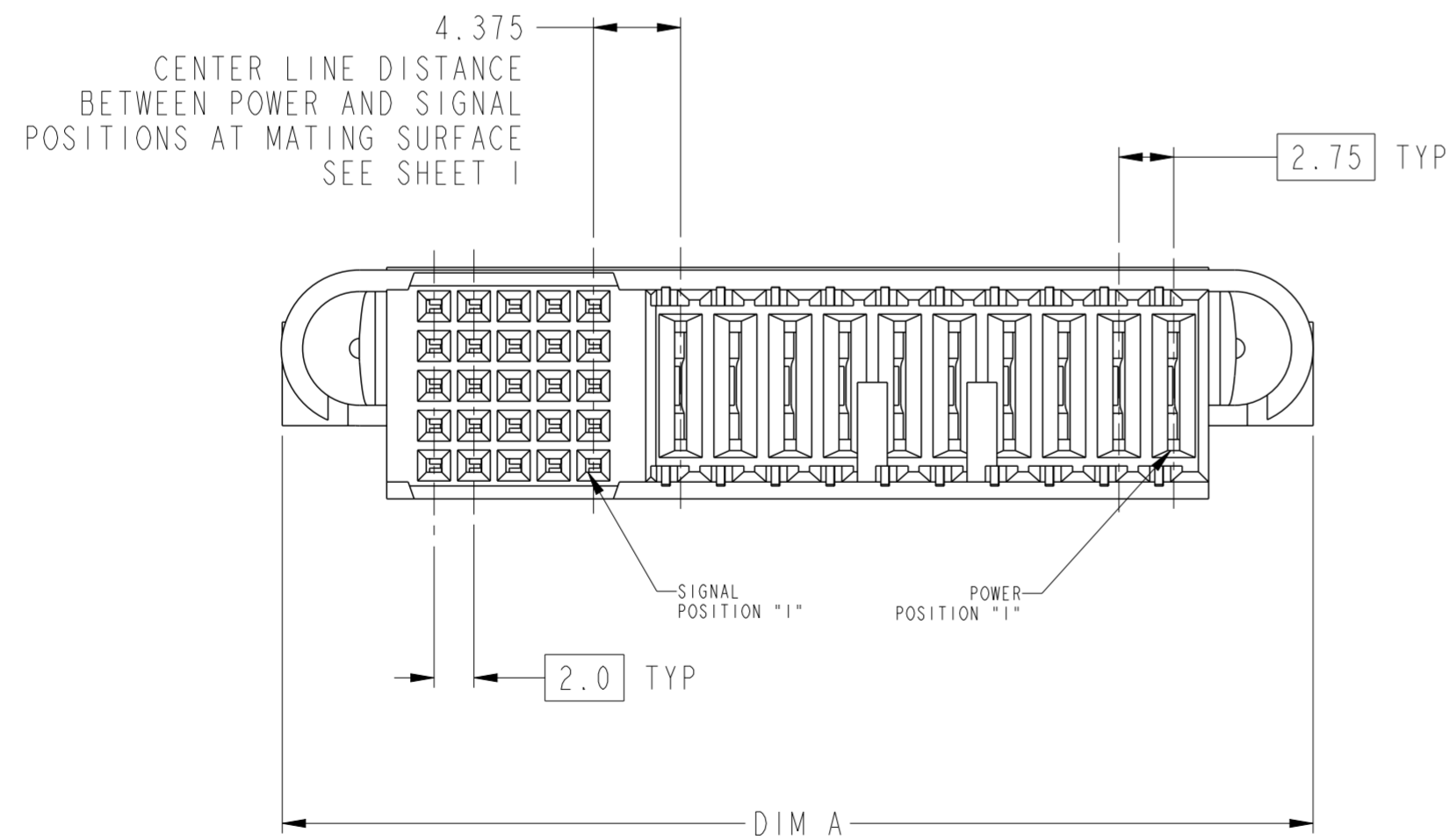
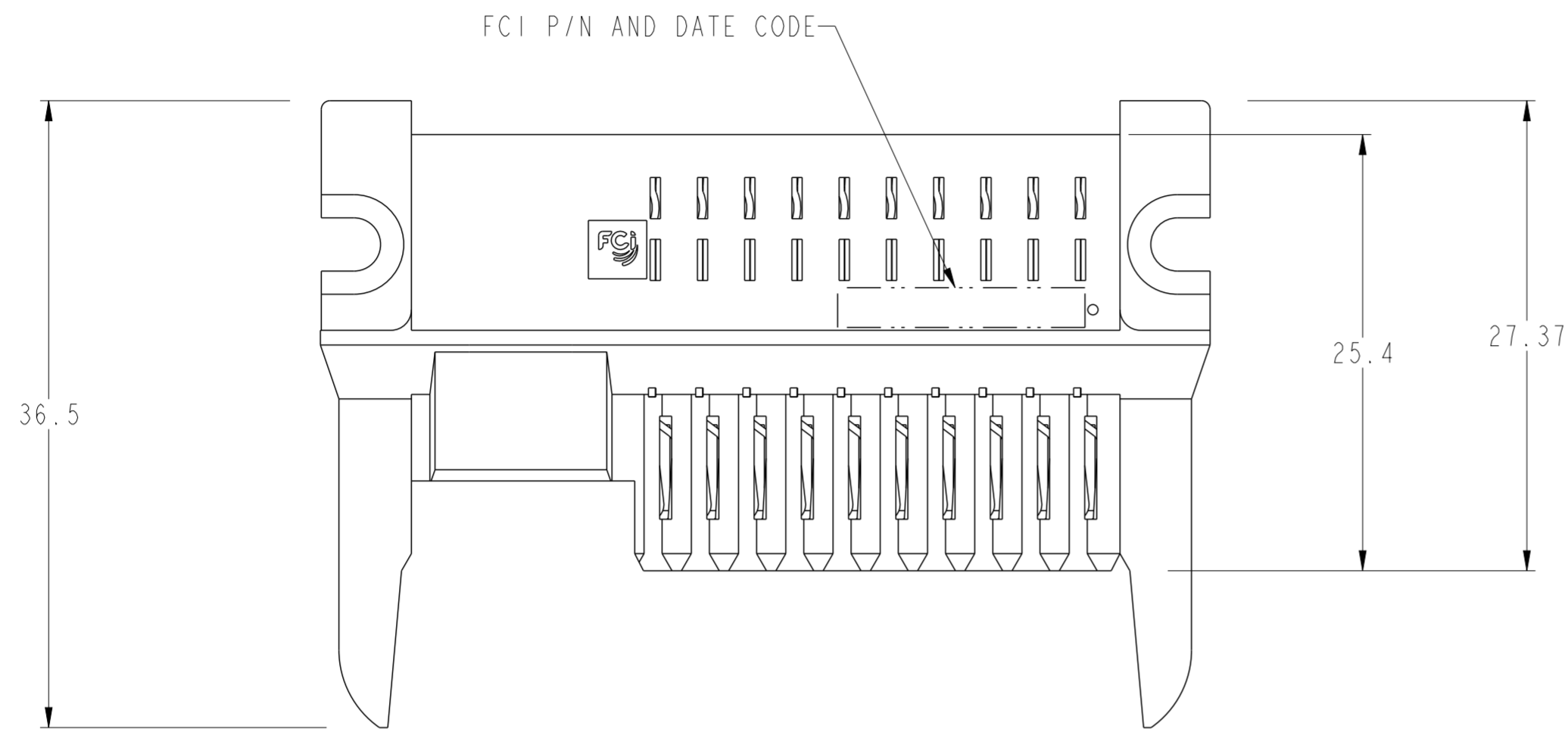
PDS: Rev :H

STATUS:Released

Printed: Mar 03, 2014

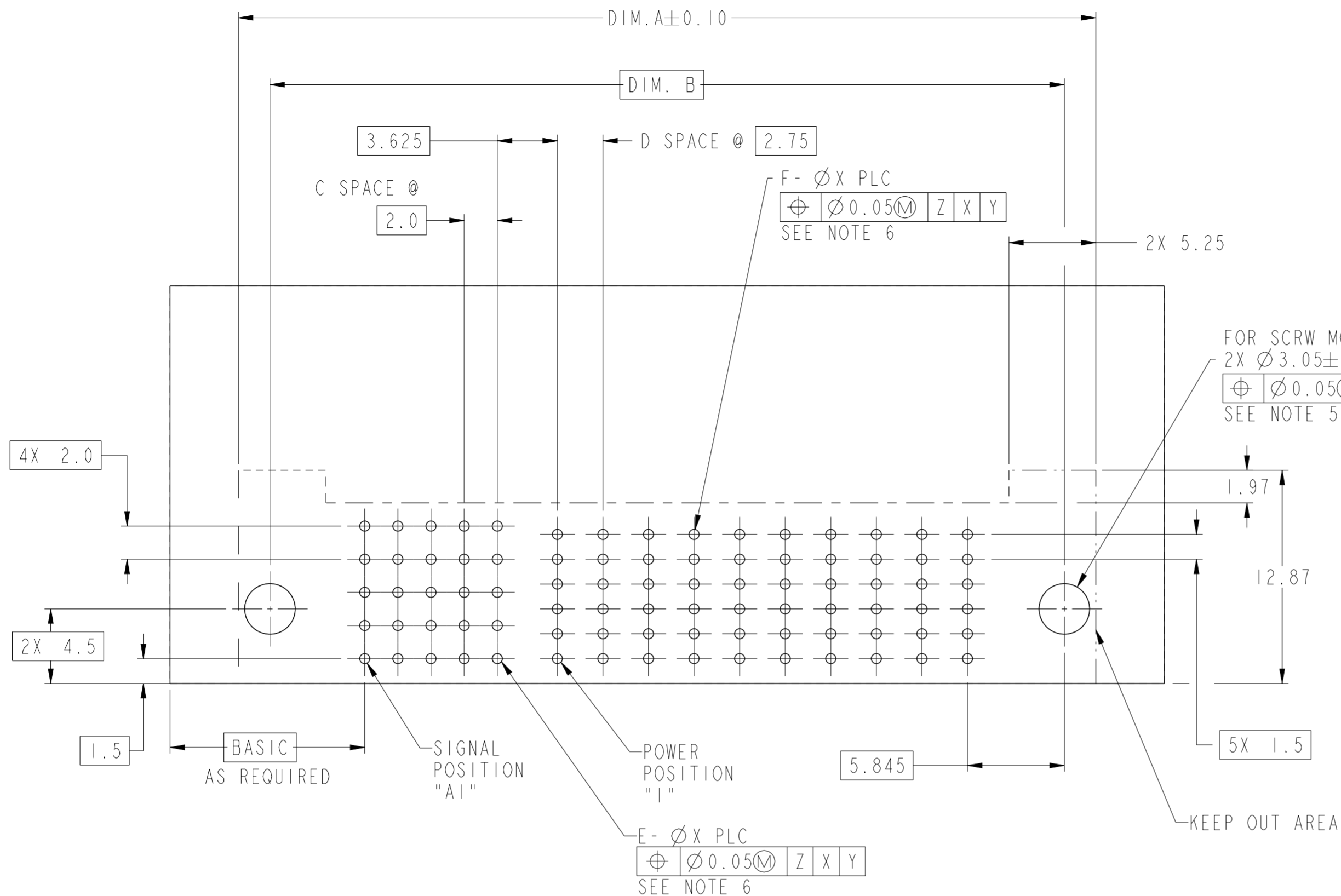
Copyright FCI. FCI

PART NUMBER	CONFIGURATION	DIM "A"	DIM "B"	"C" SPACES	"D" SPACES	"E" PLACES	"F" PLACES	MOUNTING FEATURE
10108888-L10253SLF	25S + 10P	51.74	47.94	4	9	25	60	SCREW MOUNT



10108888-L10253SLF AS SHOWN
SCREW MOUNT TYPE

spec ref	-	dr	Zhang Hong-Tu	2012/07/04	projection	MM	size	A2	scale	1:1	
tolerance std	ASME Y14.5	eng	Heaven Cen	2014/03/02			ecn no	ELX-DG-17027-1			
TOLERANCES UNLESS OTHERWISE SPECIFIED		chr	Jon Qin	2014/03/02			rel level	Released			
surface	✓	appr	Collins Lu	2014/03/02			product family	PwrLoPro			
ASME Y14.5	linear	0.X	±0.30		PWR LP RECEPTACLE ASSEMBLY RA, PASSIVE GUIDE		dwg no	10108888			
		0.XX	±0.20				rev	H			
	angular	0°	±2°				cat. no.	Product - Customer Drw sheet 6 of 7			



10108888-L10253SLF SHOWN
 RECOMMENDED PRINTED CIRCUIT BOARD LAYOUT SEE NOTE 4
 FOR 10108888-LXXXX3SLF
 (AS VIEWED FROM COMPONENT SIDE)

NOTES:

- HOUSING MATERIAL: GF LCP, COLOR: BLACK, UL 94 V-0 RATED
 SIGNAL CONTACT MATERIAL: PHOSPHOR BRONZE
 SIGNAL PIN OVERMOLD MATERIAL: GF POLYESTER
 POWER CONTACT MATERIAL: COPPER ALLOY
 HOLD DOWN MATERIAL: PHOSPHOR BRONZE
- PLATING ON SIGNAL CONTACTS: 1.27µm MIN Ni UNDERPLATING ALL OVER WITH 0.76µm MIN GXT IN CONTACT MATING AREA, AND 0.5µm MIN MATTE TIN ON TAIL AREA.

 PLATING ON POWER CONTACTS: 1.27µm MIN Ni UNDERPLATING ALL OVER WITH 0.76µm MIN GXT IN CONTACT MATING AREA, AND 0.5µm MIN MATTE TIN ON TAIL AREA.
- LUBRICATION: LUBRICATE ON CONTACT AREA.
- RECOMMENDED PCB THICKNESS IS:
 FOR PRESS FIT APPLICATION: 1.4mm MIN
 FOR SOLDER APPLICATION: 1.40mm THROUGH 2.62mm.
- FOR SCREW MOUNT APPLICATIONS, A #4-40 UNC PAN SCREW WITH HEX NUT IS RECOMMENDED (SUPPLIED BY CUSTOMER).
- FOR PRESS FIT Ø0.61mm, FOR SOLDER Ø0.90mm.
- PRODUCT SPECIFICATION: GS-12-1064
 APPLICATION SPECIFICATION: GS-20-0362

spec ref	-	dr	Zhang Hong-Tu	2012/07/04	projection	MM	size	A2	scale	1:1
tolerance std	ASME Y14.5	eng	Heaven Cen	2014/03/02			ecn no	ELX-DG-17027-1	rel level	Released
TOLERANCES UNLESS OTHERWISE SPECIFIED		chr	Jon Qin	2014/03/02						
		appr	Collins Lu	2014/03/02						
surface	linear	0.X	±0.30		PWR LP RECEPTACLE ASSEMBLY RA, PASSIVE GUIDE	cat. no.	Product - Customer Drw	sheet 7 of 7	rev H	
		0.XX	±0.20							
		0.XXX	±0.10							
ASME Y14.5	angular	0°	±2°	www.fci.com						