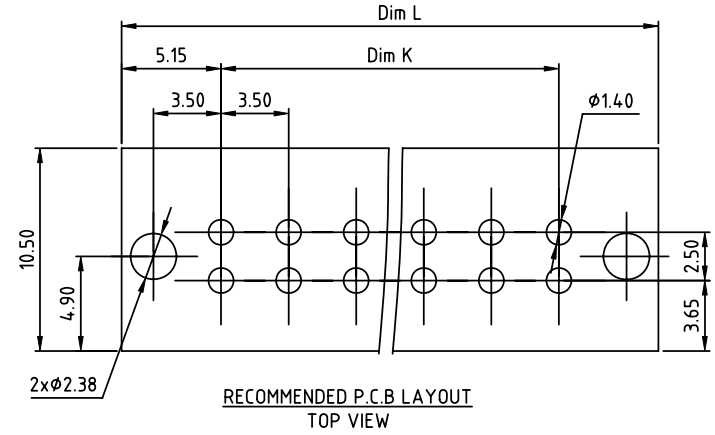
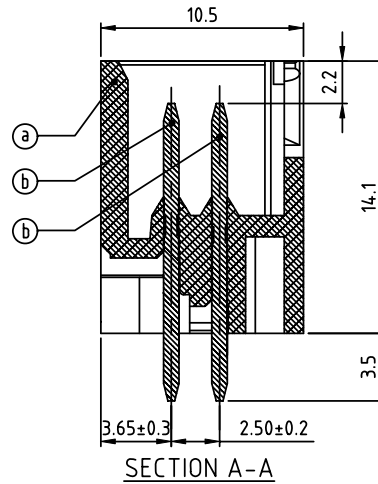
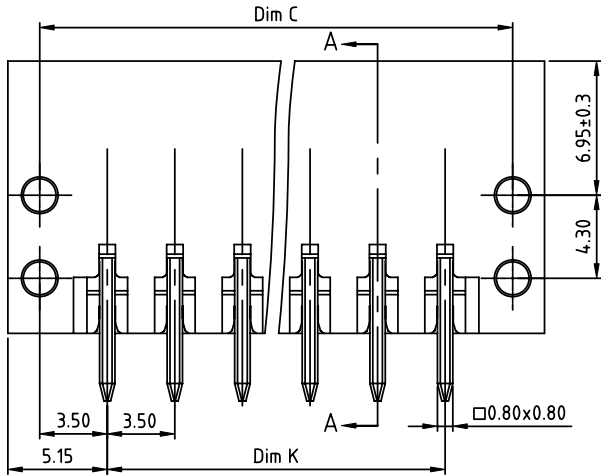
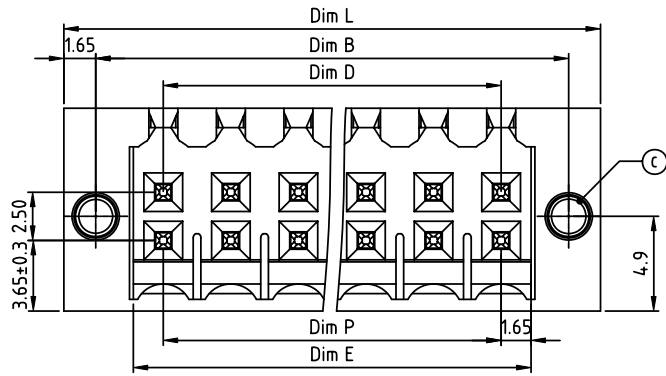


PRODUCT NUMBER	PITCH
VXxx12x000J0G	3.50 mm



- Material:
- Item ① Terminal housing: Thermoplastic(UL94V-0)
 - Item ② Pin: Brass, Tin plated
 - Item ③ With flange nut: Brass, Nickel plated. M2.0
- Electrical: cULus
- Voltage rating: 150V
 - Current rating: 7A
 - Withstanding Voltage: 1.3KV
 - Operating temperature: -40°C to +115°C
 - Soldering temperature: 260°C±5°C/5 Sec
 - Safety Approval:

Dim L=(N/2-1)×3.5+10.3
Dim P=(N/2-1)×3.5
Dim K=(N/2-1)×3.5
Dim B=(N/2-1)×3.5+7.0
Dim C=(N/2-1)×3.5+7.0
Dim D=(N/2-1)×3.5
Dim E=(N/2-1)×3.5+3.3

Poles	Dim L	Dim P	Dim K	Dim B	Dim C	Dim D	Dim E
2x2p-2x6p	±0.15	±0.10	±0.10	±0.15	±0.15	±0.10	±0.15
2x7p-2x12p	±0.25	±0.20	±0.20	±0.25	±0.25	±0.20	±0.25
2x13p-2x18p	±0.35	±0.30	±0.30	±0.35	±0.35	±0.30	±0.35
2x19p-2x24p	±0.40	±0.35	±0.35	±0.40	±0.40	±0.35	±0.40

PART NO.: VX xx 12 x 0 00J0 G

- | | | | |
|---------------|---|-------------------|-----------------|
| Solid block | 0 | Color | RoHS compliant |
| No. of poles | 2 | Black (RAL9005) | (lead<4%) |
| 04 2x2 poles | 3 | Red (RAL3001/D) | In copper Alloy |
| 06 2x3 poles | 4 | Orange(RAL2011/P) | |
| ... | 5 | Yellow(RAL1018/A) | |
| ... | 6 | Green(RAL6018/T) | |
| 48 2x24 poles | 7 | Blue (RAL5015/A) | |
| | 8 | Grey(RAL7035/D) | |
| | 9 | White(RAL1102) | |
| | C | Green(RAL6018/U) | |

mat'l. code		surface ASME Y14.5	tolerance ASME Y14.5	projection 	product family TERMINAL BLOCK
ltr	ecn no	dr	date	tolerances unless otherwise specified	title TERMINAL BLOCK
				angles 	PLUGGABLE SOCKET, VERTICAL, WITH FLANGE
				X±1°	scale
				dr EVIN ZHONG 050714	dwg no
				enrg EVIN ZHONG 050714	sheet 1 of 1
				chr HANKE FENG 050714	size A4
				appd SHI JUN 050714	VXxx12x000J0G
					type CUSTOMER Drawing
sheet index	revision	A			
	sheet	1			