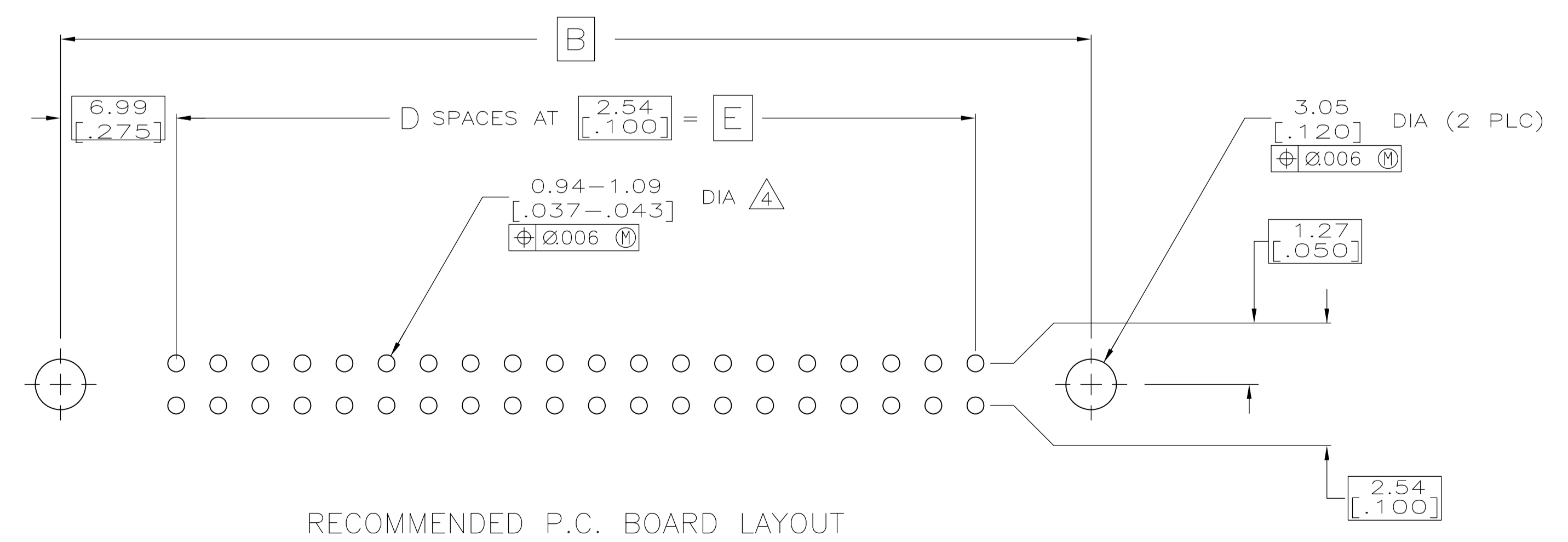
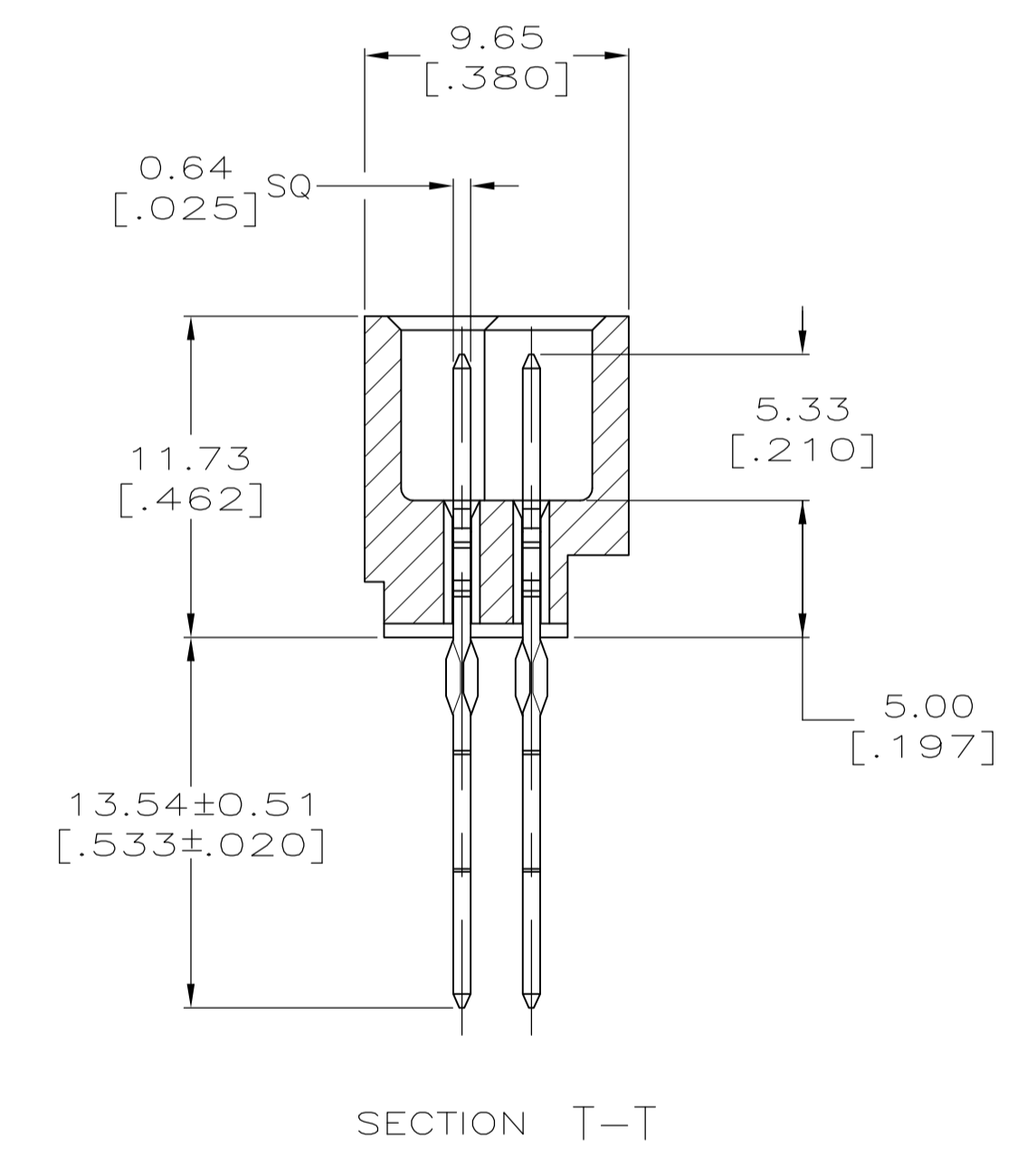
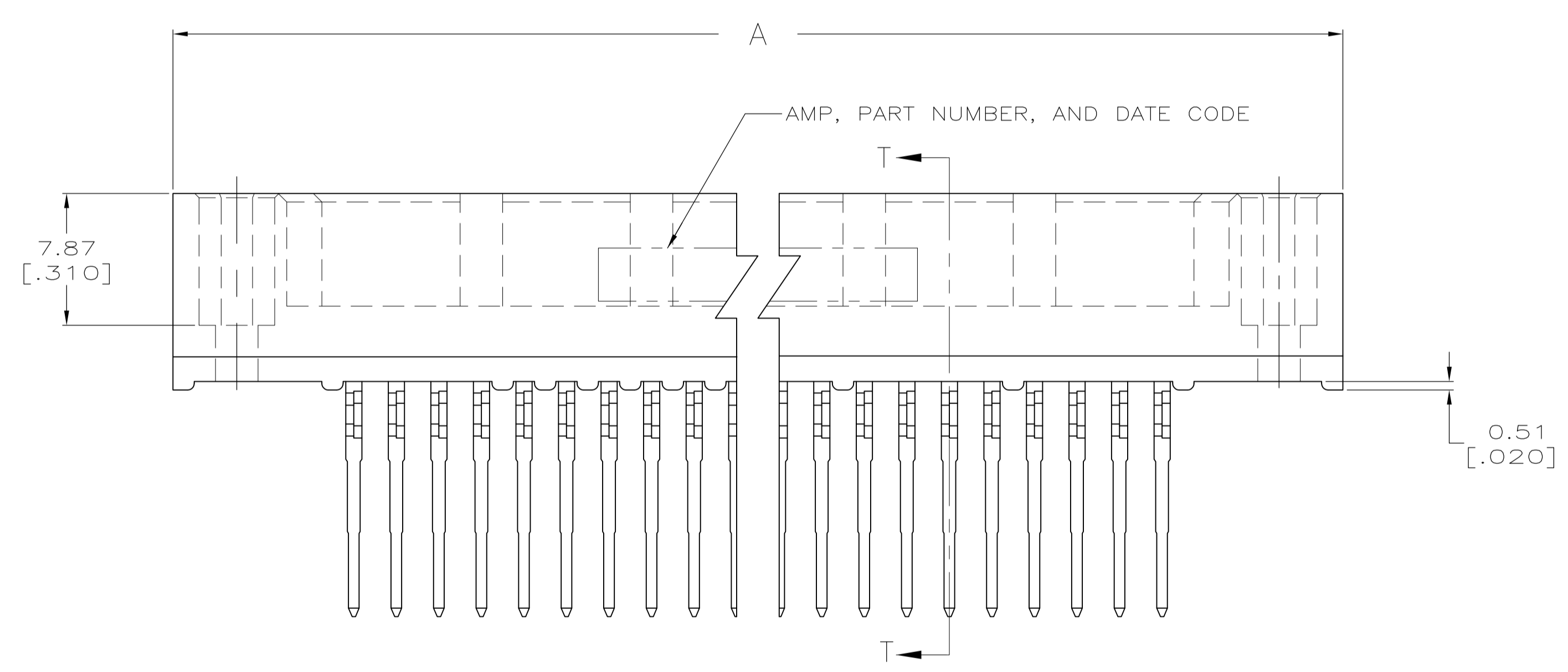
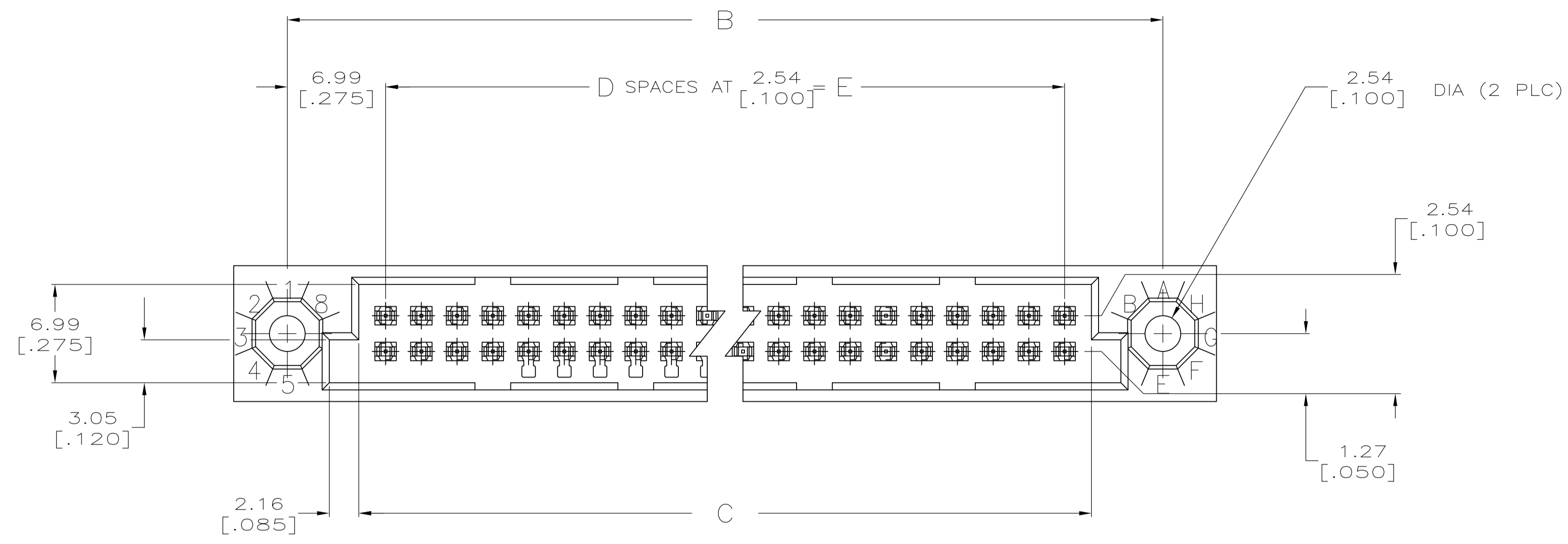


LOC		DIST		REVISIONS			
P	LTR	DESCRIPTION	DATE	DMN	APVD		
AD	25	U	REVISED PER EC 0512-0287-05	10DEC05	JDP	AMS	
		U1	REVISED PER ECO-09-021510	11SEP09	KK	AEG	



THIS DRAWING IS A CONTROLLED DOCUMENT.		DIN R.K. SEIFRIED 04/09/90	Tyco Electronics Corporation	
DIMENSIONS: mm [INCHES]		CHK F. KIBLER 8-17-92	Harrisburg, PA 17105-3608	
TOLERANCES UNLESS OTHERWISE SPECIFIED:		APVD	NAME	
0 PLC ± -			HDI, 2 ROW, PIN ASSEMBLY,	
1 PLC ± -			13.54 [.533] LONG ACTION PINS,	
2 PLC ± -			.00076 [.000030] GOLD PLATE	
3 PLC ± 0.13 [.005]			SIZE CAGE CODE DRAWING NO	
4 PLC ± -			RESTRICTED TO	
ANGLES ± -			A1 00779 C=533060	
MATERIAL	FINISH	WEIGHT	CUSTOMER DRAWING	
			SCALE 4:1 SHEET 1 OF 2 REV U1	

