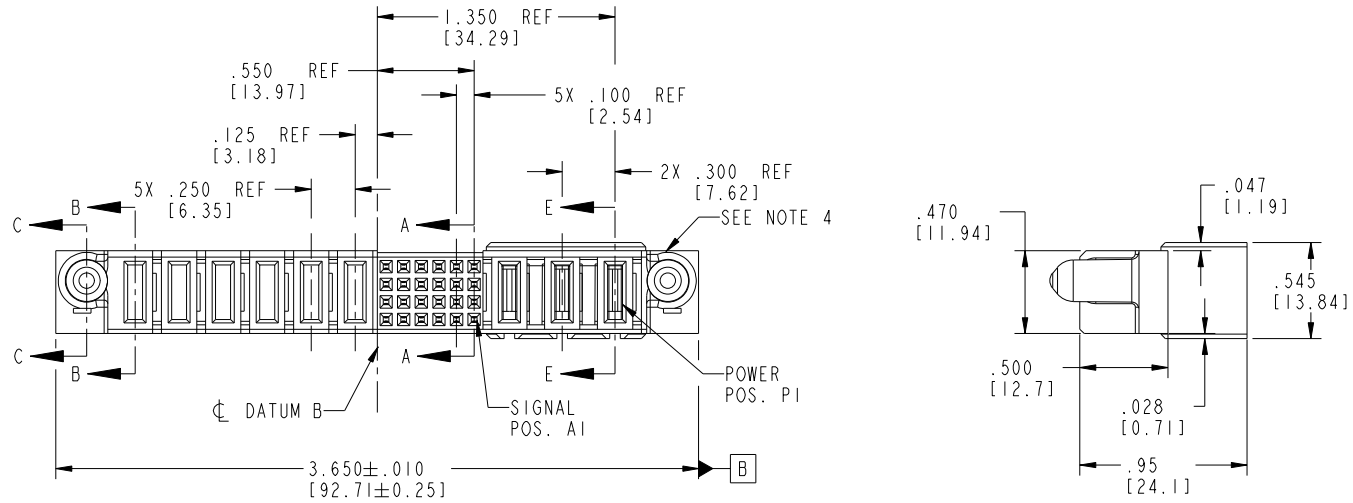


Tous droits strictement reserves. Reproduction ou communication a des tiers interdite sous quelque forme que ce soit sans autorisation ecrite du propriétaire. Propriete de c FCI. Droits de reproduction FCI.



All rights strictly reserved. Reproduction or issue to third parties in any form whatever is not permitted without written authority from the proprietor. Property of FCI. Copyright FCI.

PRODUCT NO.	ROWS	POWER						SIGNAL					POWER			E1		
		E2	P9	P8	P7	P6	P5	P4	6	5	4	3	2	1	P3		P2	P1
51927-006... NOTE:3	D C B A		PC	PC	PC	PC	PC	PC	F	F	F	F	F	F	PG	PH	PH	



CODE	DIM "M" MATING LENGTH	CONTACT TYPE
F	N/A [N/A]	SIGNAL
PC	.042 [1.07]	POWER
PG	.042 [1.07]	POWER
PH	.092 [2.34]	POWER

mat'l code				SEE NOTE 2		tolerances unless otherwise specified		CUSTOMER		www.fciconnect.com	
ltr	ecn no.	dr	date	linear	.XX±.01/0.X±0.3	projection	COPY				
A	DG05-0477	GuoJM	11/17/05		.XXX±.005/0.XX±0.13		title				
B	DG08-0273	WD	12/15/08	angles	.XXX±.0020/0.XXX±0.051		3ACP + 24S + 6P VERT RECEPT CABLE PORT				
				dr	0°±2°	INCH/MM	product family		PwrBlade	code	213
				enr	JM GUO 11/17/05	scale	size	dwg no	A	51927-006	sheet
				chr	STEVEN WANG 11/17/05	1:1	cage code		22526	1 of 4	
				appd	VICTOR LIN 11/17/05						
					JOSEPH HSIA 11/17/05						
sheet index	revision sheet	B	B	B	B						
		1	2	3	4						

1 | 2

Pro/E

3 |

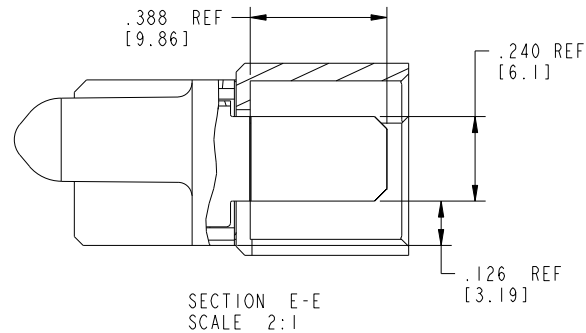
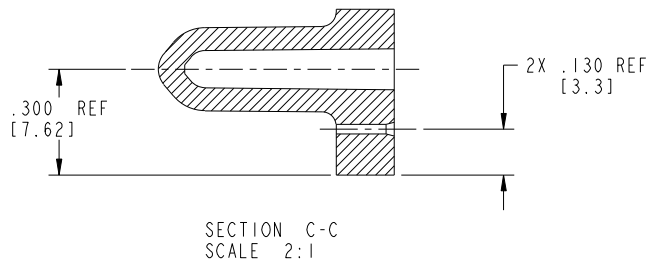
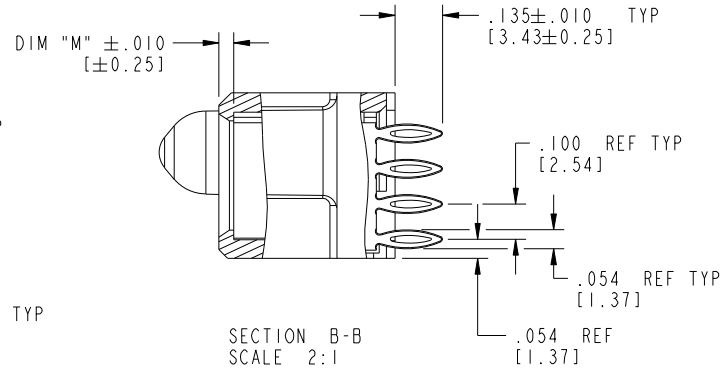
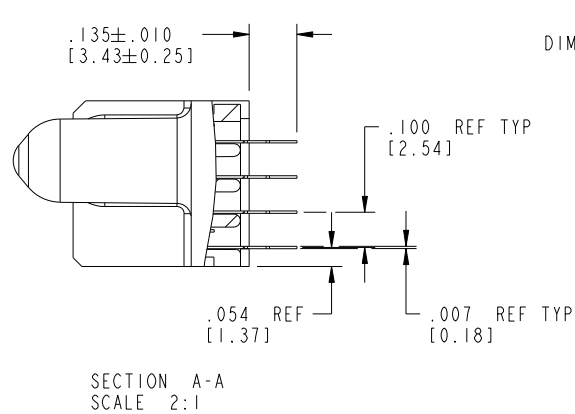
cage code 22526

4

Tous droits strictement reserves. Reproduction ou communication a des tiers interdite sous quelque forme que ce soit sans autorisation écrite du propriétaire. Propriete de c FCI. Droits de reproduction FCI.

All rights strictly reserved. Reproduction or issue to third parties in any form whatsoever is not permitted without written authority from the proprietor. Property of FCI. Copyright FCI.

PRODUCT NUMBER
51927-006--
NOTE: 3



mat'l code		SEE NOTE 2		tolerances unless otherwise specified		CUSTOMER		FCI	
lfr	ecn no.	dr	date	linear	.XX±.01/0.X±0.3	COPY		www.fciconnect.com	
B				projection	.XXX±.005/0.XX±0.13	title		3ACP + 24S + 6P	
				angles	.XXX±.0020/0.XXX±0.051	VERT RECEPT CABLE PORT		product family	
				dr	0°±2°	INCH/MM		PwrBlade	
				enr	JM GUO 11/17/05	scale		code	
				chr	STEVEN WANG 11/17/05	1:1		213	
				appd	VICTOR LIN 11/17/05	A		sheet	
					JOSEPH HSIA 11/17/05	51927-006		2 of 4	
sheet index	revision sheet								

Pro/E

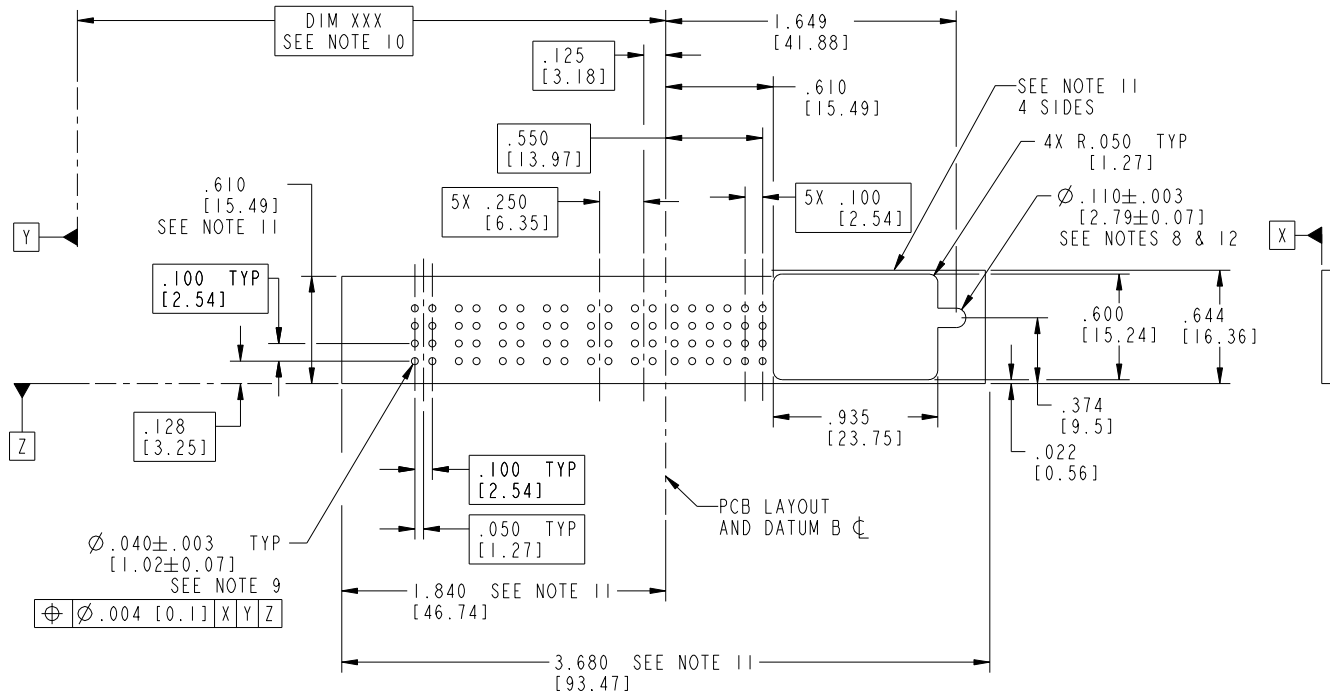
cage code 22526

Tous droits strictement reserves. Reproduction ou communication a des tiers interdite sous quelque forme que ce soit sans autorisation écrite du propriétaire. Propriete de c.FCI. Droits de reproduction FCI.



All rights strictly reserved. Reproduction or issue to third parties in any form whatsoever is not permitted without written authority from the proprietor. Property of FCI. Copyright FCI.

PRODUCT NUMBER
51927-006--
NOTE: 3



mat'l code		SEE NOTE 2		tolerances unless otherwise specified		CUSTOMER		FCI		www.fciconnect.com	
lfr	ecn no.	dr	date	linear	$.XX \pm .01 / 0.X \pm 0.3$	COPY		projection		title	
B					$.XXX \pm .005 / 0.XX \pm 0.13$					3ACP + 24S + 6P VERT RECEIPT CABLE PORT	
				angles	$.XXX \pm .0020 / 0.XXX \pm 0.051$					product family	
				dr	$0^\circ \pm 2^\circ$			INCH/MM		PwrBlade	
				enr	JM GUO 11/17/05			scale		code	
				chr	STEVEN WANG 11/17/05			1:1		213	
				appd	VICTOR LIN 11/17/05			A		sheet	
					JOSEPH HSIA 11/17/05			51927-006		3 of 4	
sheet index	revision sheet										

cage code 22526

Pro/E

Tous droits strictement reserves. Reproduction ou communication a des tiers interdite sous quelque forme que ce soit sans autorisation écrite du propriétaire. Propriete de c FCI. Droits de reproduction FCI.



All rights strictly reserved. Reproduction or issue to third parties in any form whatever is not permitted without written authority from the proprietor. Property of FCI. Copyright FCI.

PRODUCT NUMBER
51927-006--
NOTE: 3

NOTES:

1. DIMENSIONS AND TOLERANCES ARE IN ACCORDANCE WITH ASME Y14.5M, 1994 UNLESS OTHERWISE SPECIFIED.

CONNECTOR NOTES:

2 HOUSING MATERIAL: UL 94 V-0 GLASS FILLED HIGH-TEMP THERMOPLASTIC
POWER CONTACT MATERIAL: COPPER ALLOY
SIGNAL PIN MATERIAL: COPPER ALLOY

3. SEE ITEM 7 & 8 IN PRINT 10064183 FOR PLATING SPEC OF 51927-006 AND 51927-006LF RESPECTIVELY.

4 MANUFACTURER'S NAME, P/N, AND DATE CODE TO APPEAR ON THIS SURFACE.

5. PRODUCT SPECIFICATION GS-12-149.
APPLICATION SPECIFICATION BUS-20-067.

6. PACKAGED IN TRAYS.

PCB NOTES:

7. ALL HOLE DIAMETERS ARE FINISHED HOLE SIZE.

8 MOUNTING HOLES, WHERE APPLICABLE, ARE UNPLATED.

9 $\varnothing .0453 \pm .0010$ [1.151 ± 0.025] DRILLED HOLES PLATED WITH
.0003 [0.008] MIN SnPb OVER .001 [0.03]
TO .003 [0.08] Cu PLATING TO ACHIEVE
 $\varnothing .040 \pm .003$ [$1.02 \pm .07$] HOLE.

10 "DIM XXX" TO BE DETERMINED BY THE CUSTOMER.

11 CONNECTOR KEEP-OUT ZONE.

12 RECOMMENDED RETENTION TO PCB

$\varnothing .110$ [2.79] THRU HOLE FOR M2.5 SOCKET HEAD CAP SCREW, MAX HEAD $\varnothing .177$ [4.50]
RECOMMENDED SCREW LENGTH .472 [12.00] + PCB THICKNESS
RECOMMENDED SCREW SEATING TO PCB TORQUE: 2-5 lbf-in (2300-5760 gf-cm).

13. A/B SYMBOL WILL BE NEXT TO ANY DIMENSION, VIEW, OR NOTE WHICH HAS BEEN MODIFIED WITH THE CURRENT DRAWING REVISION.

mat'l code				SEE NOTE 2		tolerances unless otherwise specified		CUSTOMER		FCJ		www.fciconnect.com			
ltr	ecn no.	dr	date	linear	.XX±.01/0.X±0.3		COPY		projection	title			3ACP + 24S + 6P VERT RECEPT CABLE PORT		
B					.XXX±.005/0.XX±0.13		INCH/MM			product family		PwrBlade		code	
					.XXX±.0020/0.XXX±0.051		scale			size		dwg no		213	
				angles	$0^{\circ} \pm 2^{\circ}$		1:1		A		51927-006		sheet		
				dr	JM GUO 11/17/05								4 of 4		
				enr	STEVEN WANG 11/17/05										
				chr	VICTOR LIN 11/17/05										
				appd	JOSEPH HSIA 11/17/05										
sheet index	revision sheet														

cage code 22526

1 | 2

Pro/E

3 |

4