

# Customer Information Sheet

DRAWING No.: M22-258XXXX

SHEET 2 OF 2

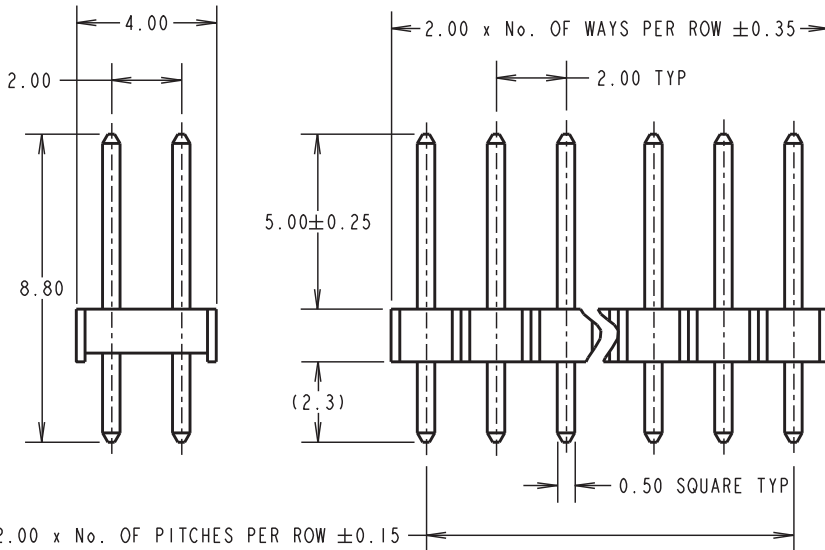
IF IN DOUBT - ASK

©

NOT TO SCALE

THIRD ANGLE PROJECTION

ALL DIMENSIONS IN mm



**SPECIFICATIONS:**

**MATERIAL:**  
 MOULDING = NYLON 6T, UL94V-0, BLACK  
 CONTACTS = PHOSPHOR BRONZE

**FINISH:**  
 05 = GOLD  
 46 = 100% TIN

**ELECTRICAL:**  
 CURRENT RATING = 1A  
 VOLTAGE PROOF = 650V AC  
 CONTACT RESISTANCE:  
 INITIAL = 15 mΩ MAX (GOLD), 20 mΩ MAX (TIN)  
 AFTER CONDITIONING = 20 mΩ MAX (GOLD), 30 mΩ MAX (TIN)  
 INSULATION RESISTANCE:  
 INITIAL = 1,000 MΩ MIN  
 AFTER CONDITIONING = 100 MΩ MIN

**MECHANICAL:**  
 DURABILITY = 300 OPERATIONS (GOLD), 50 OPERATIONS (TIN)  
 INSERTION FORCE = 2N MAX  
 WITHDRAWAL FORCE = 0.3N MIN

**ENVIRONMENTAL:**  
 TEMPERATURE RANGE = -55°C TO +105°C

**PACKING:**  
 BAG

FOR COMPLETE SPECIFICATION, SEE COMPONENT SPECIFICATION C018XX (LATEST ISSUE)

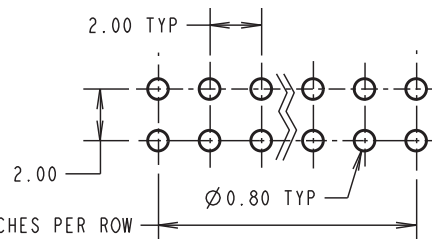
ORDER CODE:

**M22-258XXXX**

No. OF WAYS \_\_\_\_\_  
 02 - 50

FINISH \_\_\_\_\_  
 05 = GOLD  
 46 = 100% TIN

**RECOMMENDED PCB LAYOUT**



CP	6	14.09.09	10298
NAME	ISS.	DATE	C/NOTE
APPROVED: C. PENROSE			
CHECKED: R. ADDE			
DRAWN: A. LIOTTA			
CUSTOMER REF.:			
ASSEMBLY DRG:			

NOTES:  
 1. ALL TOLERANCES ARE ±0.20 UNLESS OTHERWISE STATED.

2.00 x No. OF PITCHES PER ROW

**HARWIN**

HARWIN USA  
 TEL: 603 893 5376  
 FAX: 603 893 5396  
 mis@harwin.com

HARWIN Europe (UK)  
 TEL: 023 9231 4545  
 FAX: 023 9231 4590  
 mis@harwin.co.uk

HARWIN Asia  
 TEL: +65 6 779 4909  
 FAX: +65 6 779 3868  
 mis@harwin.com.sg

THIS DRAWING AND ANY INFORMATION OR DESCRIPTIVE MATTER SET OUT HEREON ARE CONFIDENTIAL AND COPYRIGHT PROPERTY OF THE HARWIN GROUP AND MUST NOT BE DISCLOSED, LOANED, COPIED OR USED FOR MANUFACTURING, TENDERING OR FOR ANY OTHER PURPOSE WITHOUT THEIR WRITTEN PERMISSION.

**TOLERANCES**  
~~X. = ±1mm~~  
~~X.X = ±0.25mm~~  
~~X.XX = ±0.10mm~~  
~~X.XXX = ±0.01mm~~  
 ANGLES = ±5°  
 UNLESS STATED

**MATERIAL:**  
 SEE ABOVE

**FINISH:**  
 SEE ABOVE

**S/AREA:**  
 mm<sup>2</sup>

**TITLE:**  
 2.00mm PITCH DIL VERTICAL PIN HEADER ASSEMBLY

**DRAWING NUMBER:**  
**M22-258XXXX**

SHT  
 2  
 OF  
 2