

## SPECIFICATIONS

### ELECTRICAL

SUPPLY VOLTAGE	5.0V DC
CENTER VOLTAGE	2.5V DC
SUPPLY CURRENT	10mA max/axis
OUTPUT CURRENT	2mA max/axis
EFFECTIVE OUTPUT	0V – 5V DC
OUTPUT TOLERANCE	±2%

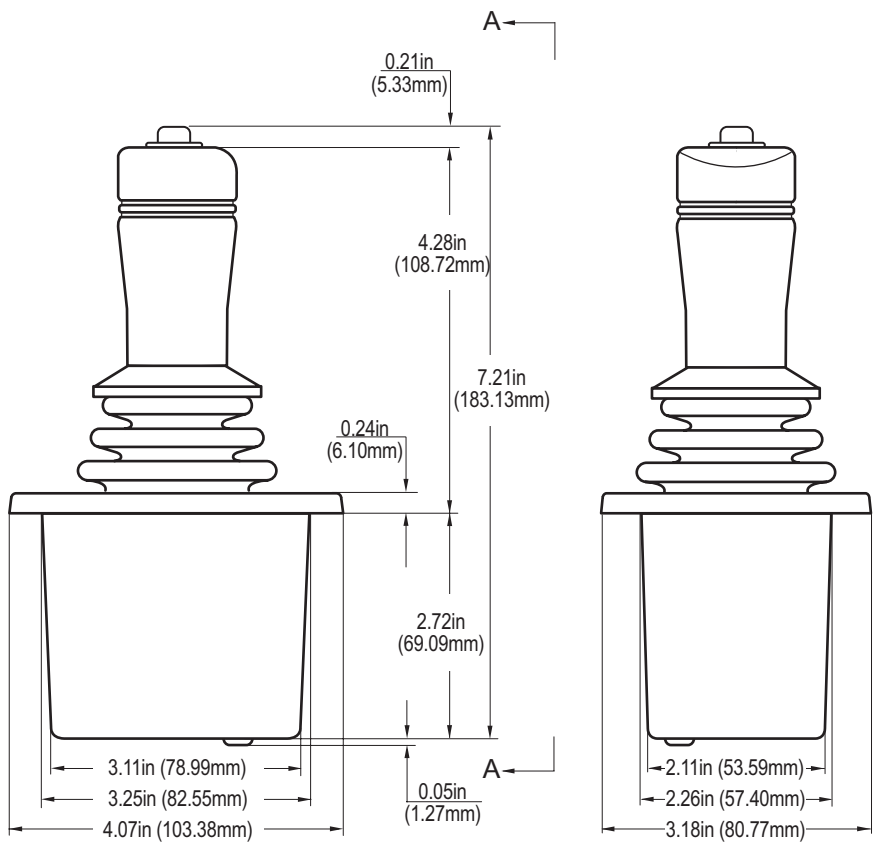
### MECHANICAL

OPERATING TRAVEL	70° (35° from center)
CENTERING	Friction
DETENT POSITION	Center
BREAKOUT FORCE	0.581Nm
OPERATING FORCE	0.989Nm
OPERATING TEMP	-40°C to +85°C
LIFE EXPECTANCY	10 million operations

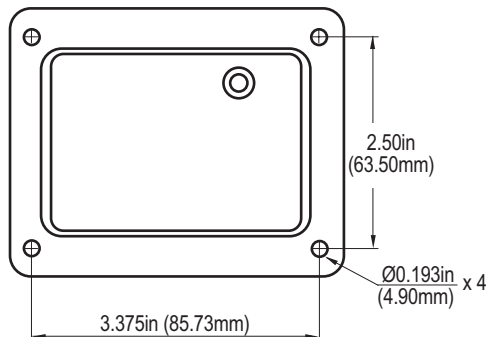
### WIRING

RED	Supply voltage
BLACK	Ground
BLUE	X-Axis
ORANGE	Switch 1
WHITE	Switch common

**RoHS** compliant



VIEW  
A-A



BOTTOM  
VIEW

**CH**  
Products

P/N

**THX-32N1001D0**

REV  
**A**

DESCRIPTION

Single Axis Throttle, Short Stock Grip, 1 Top Button

PROPRIETARY AND CONFIDENTIAL

THE INFORMATION CONTAINED IN THIS DRAWING IS THE SOLE PROPERTY OF CH PRODUCTS. ANY REPRODUCTION IN PART OR AS WHOLE WITHOUT THE WRITTEN PERMISSION OF CH PRODUCTS IS PROHIBITED.