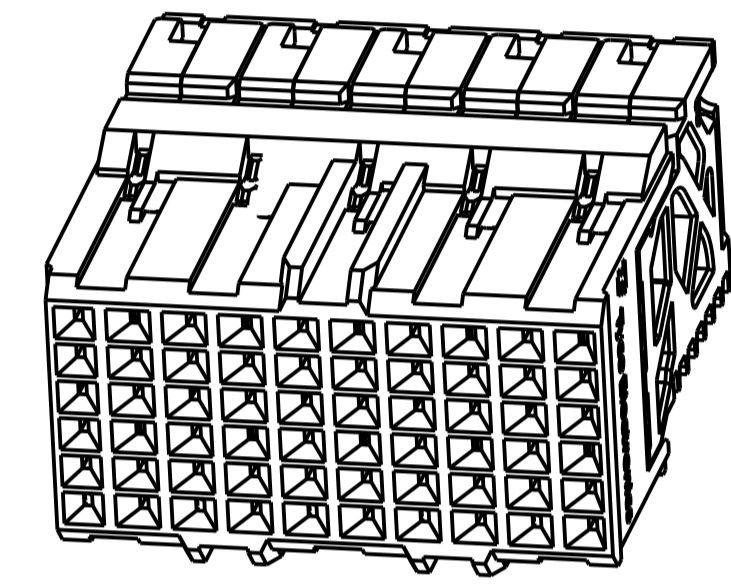
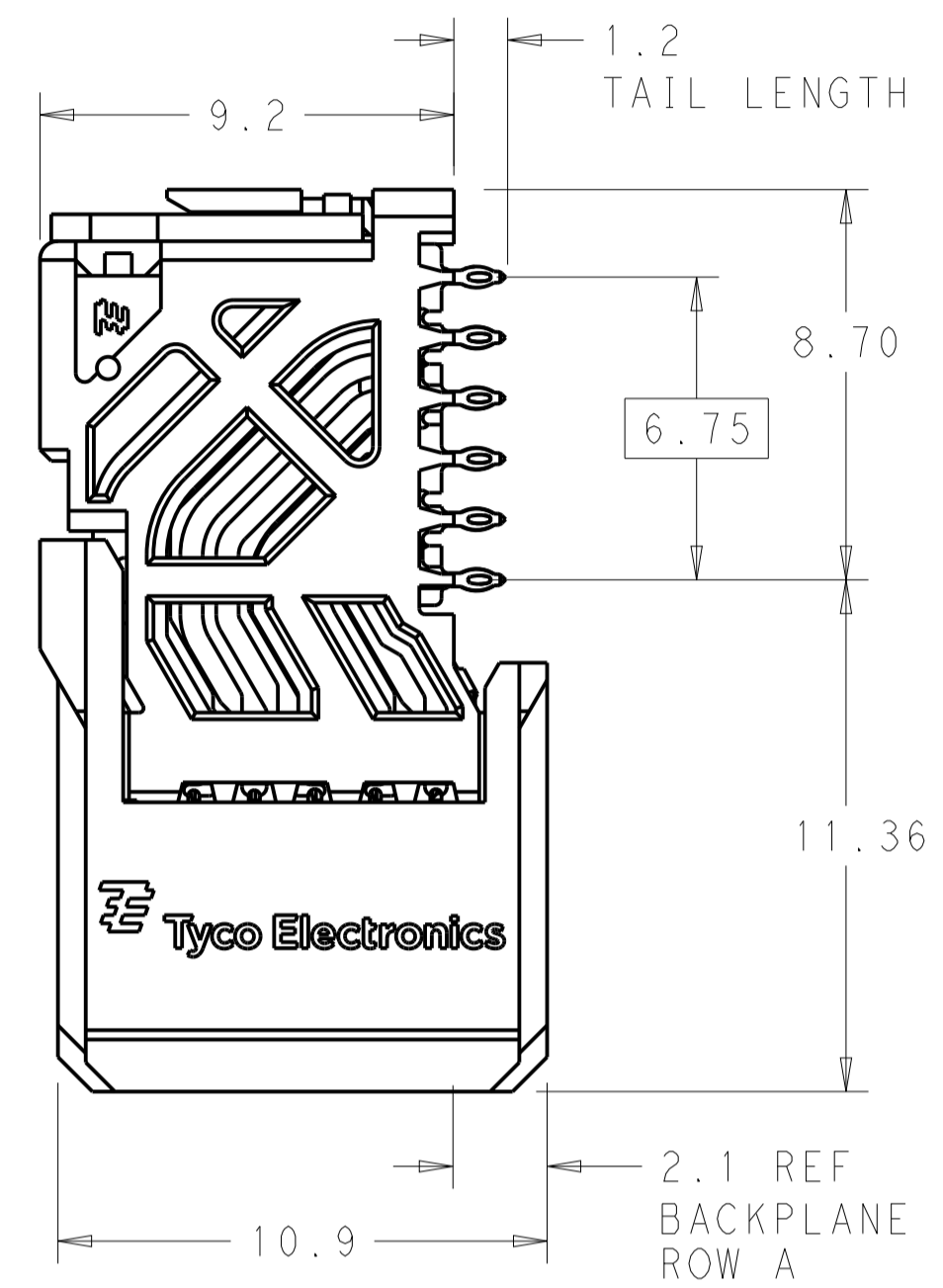
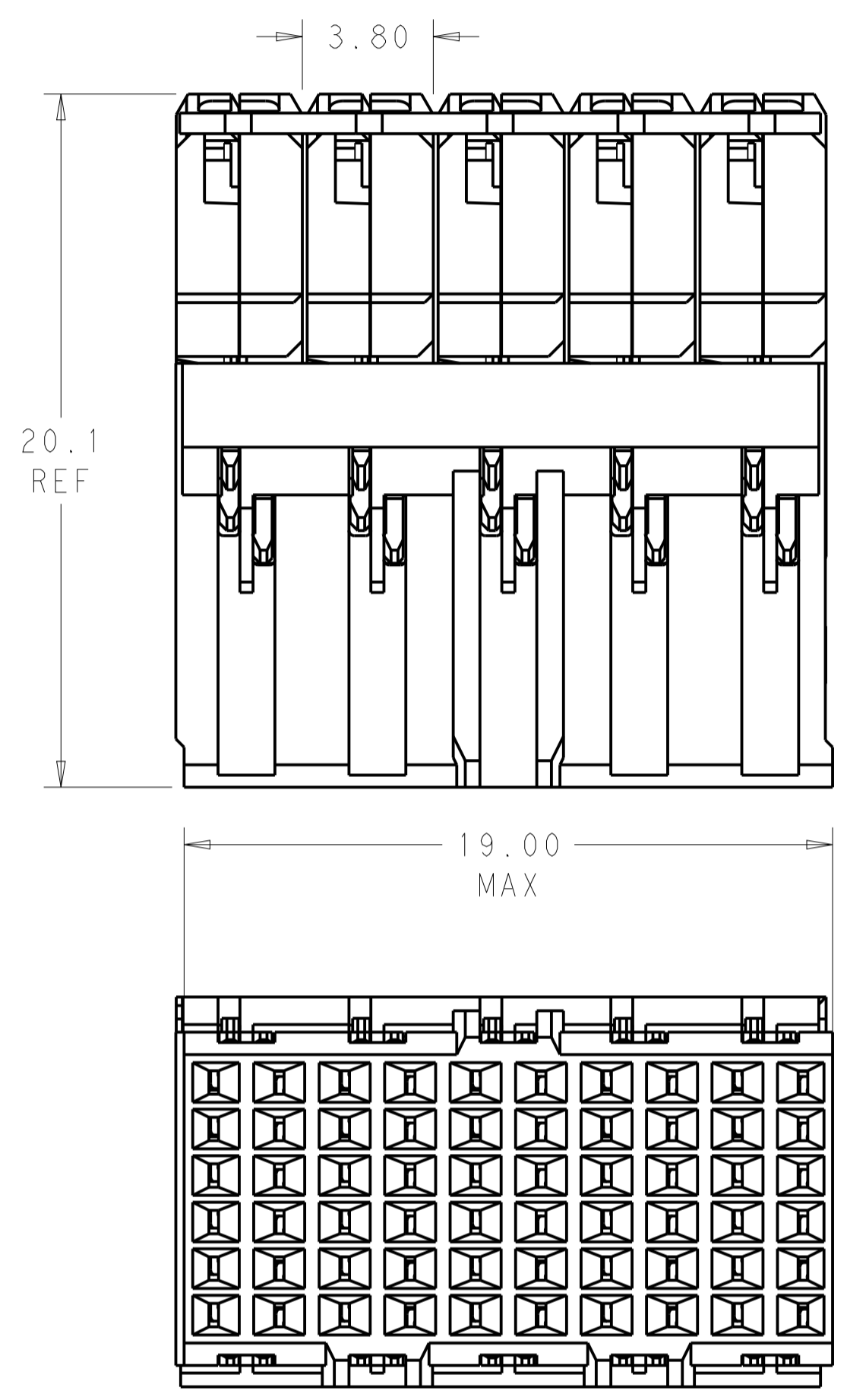
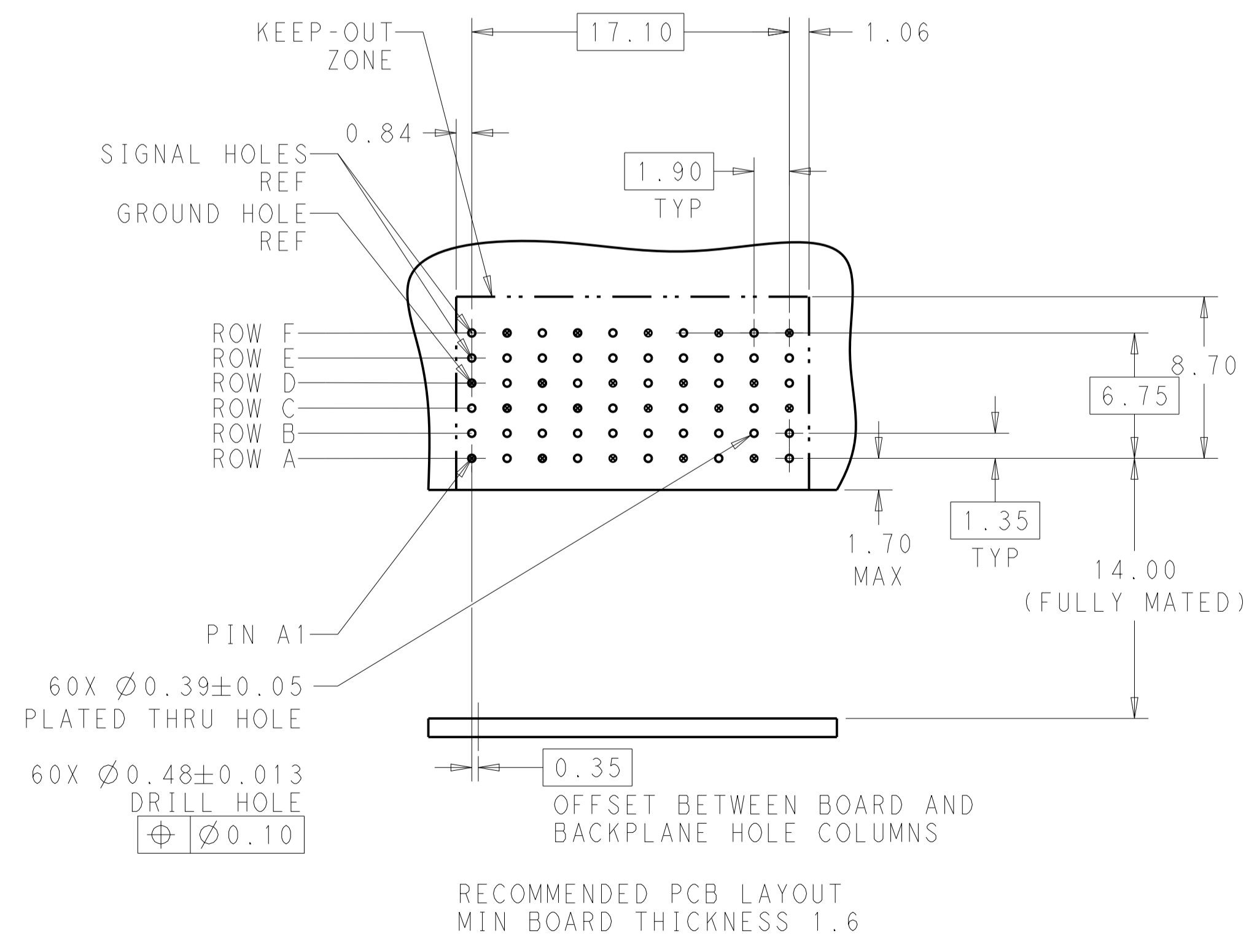


REVISIONS				
P.	LTN	DESCRIPTION	DATE	APVD
C1		REVISED PER ECO-14-017984	02DEC2014	AP DD



SCALE 4:1

REFER TO WWW.TE.COM FOR PRODUCT AVAILABILITY



RECOMMENDED PCB LAYOUT
 MIN BOARD THICKNESS 1.6

NONE	△	2057405-1
KEY POSITION	FINISH	PART NUMBER

THIS DRAWING IS A CONTROLLED DOCUMENT.		DWN B. CARBO 07OCT2010	
DIMENSIONS: mm		CHK D. DIXON 07OCT2010	
TOLERANCES UNLESS OTHERWISE SPECIFIED:		APVD D. DIXON 07OCT2010	
0 PLC ± 1 PLC ±0.2 2 PLC ±0.13 3 PLC ± 4 PLC ± ANGLES ±		NAME	
MATERIAL		PRODUCT SPEC	IMPACT, 2 PAIR, DAUGHTERCARD
SEE TABLE		APPLICATION SPEC	10 COLUMN, UNGUIDED, SIGNAL MODULE, 0.39 EYELET
		WEIGHT	SIZE CAGE CODE DRAWING NO
		Customer Drawing	A100779C=2057405
		RESTRICTED TO	SCALE 6:1 SHEET 1 OF 1 REV C1