

**PART NUMBER CODING**

**MATERIAL (INSULATOR / CONTACT)**  
(SEE MATERIAL TABLE)

**PLATING**

ALL PLATINGS HAVE .000050" MIN NICKEL UNDERPLATE

CONTACT SURFACE	TERMINATION
B = .000010" GOLD	.000100" PURE TIN, MATTE
C = .000030" GOLD	.000100" PURE TIN, MATTE
G = .000010" GOLD	.000005" GOLD
E = .000100" PURE TIN, MATTE	
S = .000010" GOLD OVERALL	
M = .000030" GOLD	.000010" GOLD OVERALL

**MODIFICATION**

OMIT = STANDARD, EXAMPLE: 'RMC22DAAN'  
M500 = BROWN PPS (MATERIAL CODE 'R' ONLY)  
M594 = WHITE PA9T (MATERIAL CODES 'G' ONLY)

**TERMINATION TYPE**

**NUMBER OF POSITIONS PER ROW**

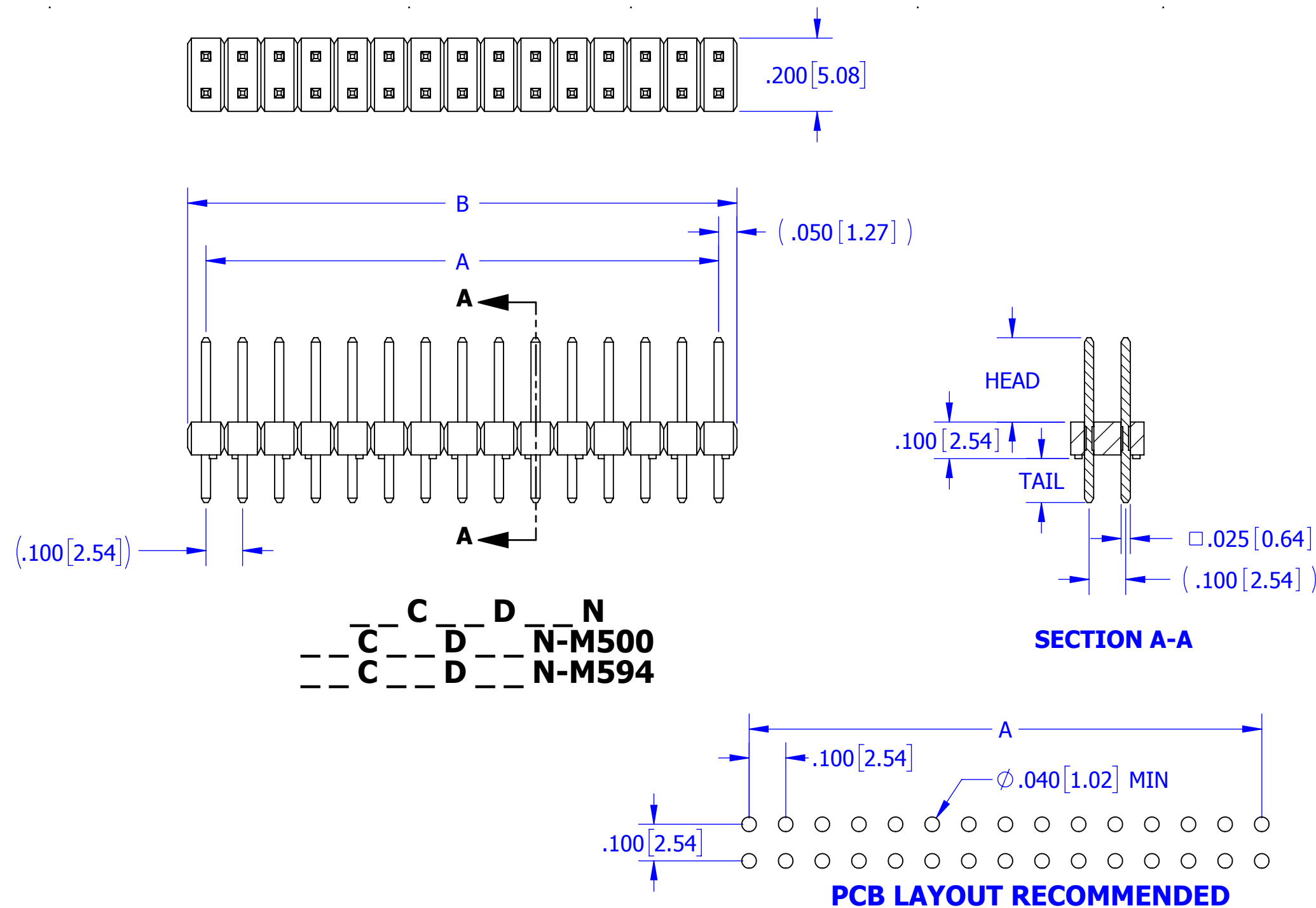
(01 THRU 36)

**MATERIAL TABLE**

LETTER CODE	INSULATOR / CONTACT	OPERATING TEMP.	PROCESSING TEMP.	MODIFICATION NUMBER
P	**BLACK PBT / PHOSPHOR BRONZE	-65°C TO +125°C	WAVE/MANUAL SOLDERING	OMIT
G	BLACK PA9T / PHOSPHOR BRONZE	-65°C TO +150°C	260°C MAX FOR 10 SECS	OMIT
G	WHITE PA9T / PHOSPHOR BRONZE	-65°C TO +150°C	260°C MAX FOR 10 SECS	M594
*R	GREEN PPS / PHOSPHOR BRONZE**	-65°C TO +200°C	260°C MAX FOR 20 SECS	OMIT
*R	BROWN PPS / PHOSPHOR BRONZE**	-65°C TO +200°C	260°C MAX FOR 20 SECS	M500
*Q	TAN PEEK / PHOSPHOR BRONZE**	-65°C TO +250°C	260°C MAX FOR 20 SECS	OMIT

\* AVAILABLE WITH OVERALL GOLD PLATING ('M') ONLY

\*\* OR EQUIVALENT



REVISIONS				
REV.	ECO NO.	DESCRIPTION	DATE	BY
K	3749	UPGRADE PBT	1/12/2018	JH

CODE	TERMINATION TYPE			
	STRAIGHT			
	HEAD DIMENSION $\pm .008 [0.20]$	TAIL DIMENSION $\pm .010 [0.25]$		
AA	.230[5.84]	.120[3.05]		
AB	.230[5.84]	.230[5.84]		
AC	.230[5.84]	.320[8.13]		
AD	.230[5.84]	.420[10.67]		
AE	.230[5.84]	.520[13.21]		
AF	.230[5.84]	.620[15.75]		
AG	.230[5.84]	.720[18.29]		
AH	.230[5.84]	.820[20.83]		
AI	.230[5.84]	.900[22.86]		
AJ	.230[5.84]	1.000[25.40]		
AK	.230[5.84]	.035[0.89]		
FA	.318[8.08]	.120[3.05]		
FB	.318[8.08]	.220[5.59]		
FC	.318[8.08]	.320[8.13]		
FD	.318[8.08]	.420[10.67]		
FE	.318[8.08]	.520[13.21]		
FF	.318[8.08]	.620[15.75]		
FG	.318[8.08]	.710[18.03]		
FH	.318[8.08]	.810[20.57]		
FI	.318[8.08]	.910[23.11]		
FJ	.318[8.08]	.050[1.27]		
ZA	.120[3.05]	.120[3.05]		
ZB	.120[3.05]	.095[2.41]		
ZC	.120[3.05]	.260[6.60]		
ZD	.120[3.05]	.610[15.49]		
ZI	.520[13.21]	.110[2.79]		
ZJ	.720[18.29]	.110[2.79]		
ZO	.820[20.83]	.110[2.79]		
ZQ	1.020[25.91]	.110[2.79]		
ZR	1.220[30.99]	.110[2.79]		

PART NUMBER	A		B	
	INCH	MM	INCH	MM
__C01D__N	0.000	0.00	0.100	2.54
__C02D__N	0.100	2.54	0.200	5.08
__C03D__N	0.200	5.08	0.300	7.62
__C04D__N	0.300	7.62	0.400	10.16
__C05D__N	0.400	10.16	0.500	12.70
__C06D__N	0.500	12.70	0.600	15.24
__C07D__N	0.600	15.24	0.700	17.78
__C08D__N	0.700	17.78	0.800	20.32
__C09D__N	0.800	20.32	0.900	22.86
__C10D__N	0.900	22.86	1.000	25.40
__C11D__N	1.000	25.40	1.100	27.94
__C12D__N	1.100	27.94	1.200	30.48
__C13D__N	1.200	30.48	1.300	33.02
__C14D__N	1.300	33.02	1.400	35.56
__C15D__N	1.400	35.56	1.500	38.10
__C16D__N	1.500	38.10	1.600	40.64
__C17D__N	1.600	40.64	1.700	43.18
__C18D__N	1.700	43.18	1.800	45.72
__C19D__N	1.800	45.72	1.900	48.26
__C20D__N	1.900	48.26	2.000	50.80
__C21D__N	2.000	50.80	2.100	53.34
__C22D__N	2.100	53.34	2.200	55.88
__C23D__N	2.200	55.88	2.300	58.42
__C24D__N	2.300	58.42	2.400	60.96
__C25D__N	2.400	60.96	2.500	63.50
__C26D__N	2.500	63.50	2.600	66.04
__C27D__N	2.600	66.04	2.700	68.58
__C28D__N	2.700	68.58	2.800	71.12
__C29D__N	2.800	71.12	2.900	73.66
__C30D__N	2.900	73.66	3.000	76.20
__C31D__N	3.000	76.20	3.100	78.74
__C32D__N	3.100	78.74	3.200	81.28
__C33D__N	3.200	81.28	3.300	83.82
__C34D__N	3.300	83.82	3.400	86.36
__C35D__N	3.400	86.36	3.500	88.90
__C36D__N	3.500	88.90	3.600	91.44

**CUSTOMER COPY**

- NOTES:**
- INSULATOR MATERIAL: SEE PART NUMBER CODING
  - CONTACT MATERIAL: SEE PART NUMBER CODING
  - PLATING: SEE PART NUMBER CODING
  - UL FLAMMABILITY RATING: 94V-0
  - DIELECTRIC WITHSTANDING VOLTAGE: 1800 VAC
  - CURRENT RATING: 3 AMPS
  - CONTACT RESISTANCE: 30 MILLIOHMS MAX.
  - INSULATION RESISTANCE: 5000 MEGOHMS MIN.



UNLESS OTHERWISE SPECIFIED: DIMENSIONS ARE IN INCHES [MM]	DRAWN 9/8/2011 JH	NAME	
TOLERANCES: ANGULAR: $\pm 1^\circ$ DECIMALS .XX = $\pm .02 [0.5]$ .XXX = $\pm .005 [0.13]$ .XXXX = $\pm .0005 [0.013]$	THE INFORMATION HEREIN CONTAINS PROPRIETARY INFORMATION OF SULLINS ELECTRONICS AND IS NOT TO BE REPRODUCED, USED OR DISCLOSED TO OTHERS FOR ANY PURPOSE EXCEPT AS SPECIFICALLY AUTHORIZED IN WRITING BY AN OFFICER OF SULLINS ELECTRONICS.		
TITLE .100" MALE HEADER, STRAIGHT			PART NUMBER __C__D__N-(M500,M594)
SIZE C 54453		DWG. NO. C10419	
SCALE: 3:1			REV K