



## | P992

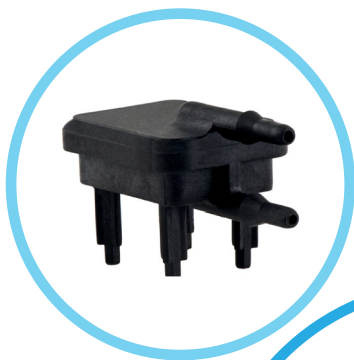
### Low Range Differential Pressure Sensor

#### Description

The P992 series of pressure sensors incorporates a silicon capacitive sensing element in a compact package.

Using a 5 VDC input, the sensors provide a 0.25 to 4.0 VDC output proportional to pressure. Internal temperature compensation provides an accurate, easy to use device.

The innovative design eliminates mounting position effects found on other low pressure differential sensors currently available in the market. With a 10-year minimum shelf life and a lifetime of millions of cycles, Kavlico®'s ruggedly designed modules are made to last.



#### Features

- Rugged Package
- Backward Compatible Mounting Configurations
- Amplified Temperature Compensated Linear Output
- No Position Sensitivity
- EMI/RFI & ESD Protected
- Frequency Output Option (Consult Factory)
- Superior Output Signal Stability

#### Applications

- Variable Air Volume Systems (VAV)
- Filter Pressure Monitoring
- Duct Air Flow
- Modulated Furnace Controls
- Combustion Air Flow
- Gaseous Leak Detection



#### MAIN FEATURES

<b>Pressure Ranges</b>	1, 2, 5, 10, ±1, ±2, ±5 Inches of H2O
<b>Electrical Connection</b>	Options A & B: 3 solderable pins , tin plated. Option C: Lead wires, 24 AWG, 12" long
<b>Pressure Connection</b>	1/8" diameter tube fitting with barb for 3/16 ID tubing
<b>Housing Material</b>	PET 30% glass reinforced, flame retardant
<b>Output Signal</b>	0.25 VDC – 4 VDC



## Pressure Ranges

From 0 to ...	Inch of H2O	1	2	5	10	±1	±2	±5
Proof Pressure	PSI	1	1	1	1	1	1	1
Burst pressure	PSI	1.5	1.5	1.5	1.5	1.5	1.5	1.5

## Physical

<b>Operating Life Cycle</b>	min. 10 million full pressure cycles over the full range
<b>Vibration Resistance</b>	1 G from 20 to 1200 Hz
<b>Shock Resistance</b>	10 G's at 6 ms duration
<b>Drop Test</b>	1m onto concrete surface
<b>Weight</b>	≤ 20 grams (without mating connector)
<b>Operating Temperature</b>	-10°C to + 60°C
<b>Storage Temperature</b>	- 40°C to + 95°C <sup>1</sup>
<b>Media</b>	Air

1. For more details see Ordering Options

## Performance

<b>Total Error Band</b>	±2% of span Max. (±3% for 0 - 1" range) (10°C ≤ T ≤ 40°C)
-------------------------	---

## Electrical

<b>Output Signal</b>	0.25 to 4 VDC Ratiometric
<b>Power Consumption</b>	≤ 20 mW
<b>Operating Supply Signal</b>	5 VDC ± 5%
<b>Overvoltage Protection</b>	min. 16 VDC
<b>Short-circuit Proofness</b>	Yes <sup>*2</sup>
<b>Reverse Polarity Protection</b>	Yes <sup>*3</sup>
<b>Output Impedance</b>	100 Ω Max

2. for min. 3 intervals at 5 minutes each

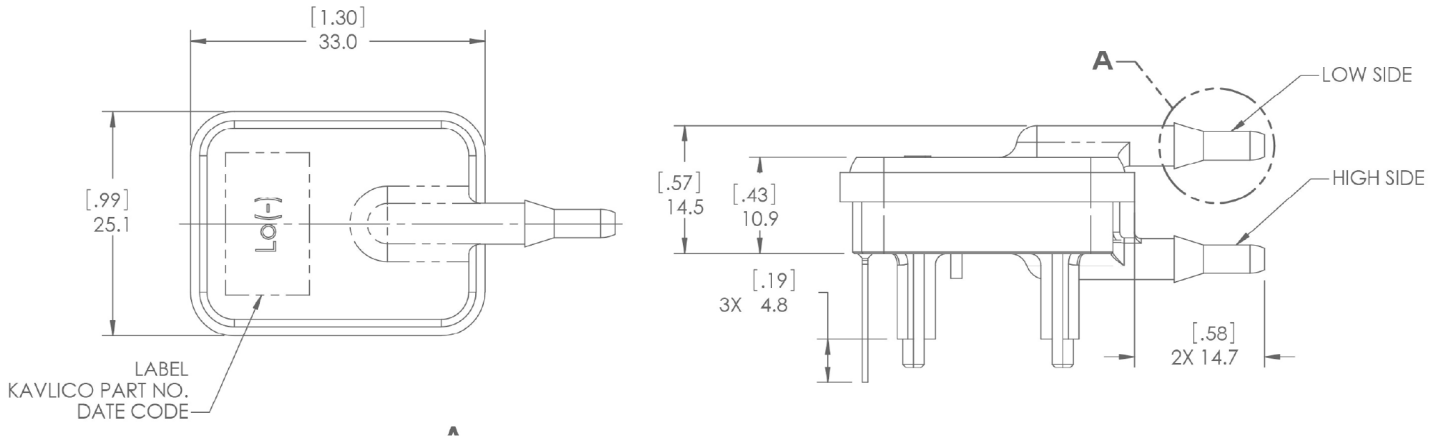
3. for min. 10 seconds on assigned pins



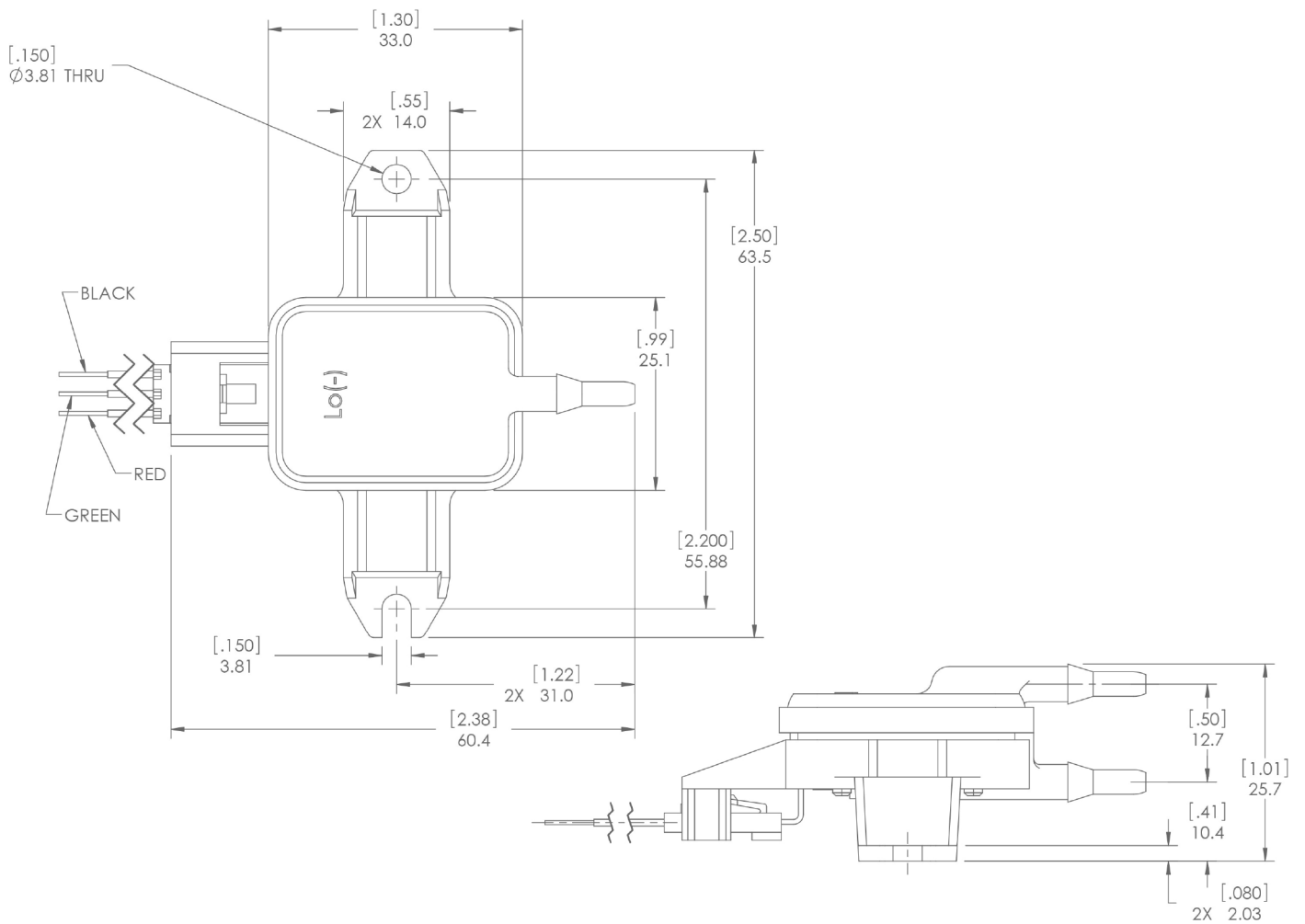
# DIMENSIONS

Dimensions in mm [Inch]

## Pressure Sensor



## Pressure Sensor - Standard Option P992-x-C

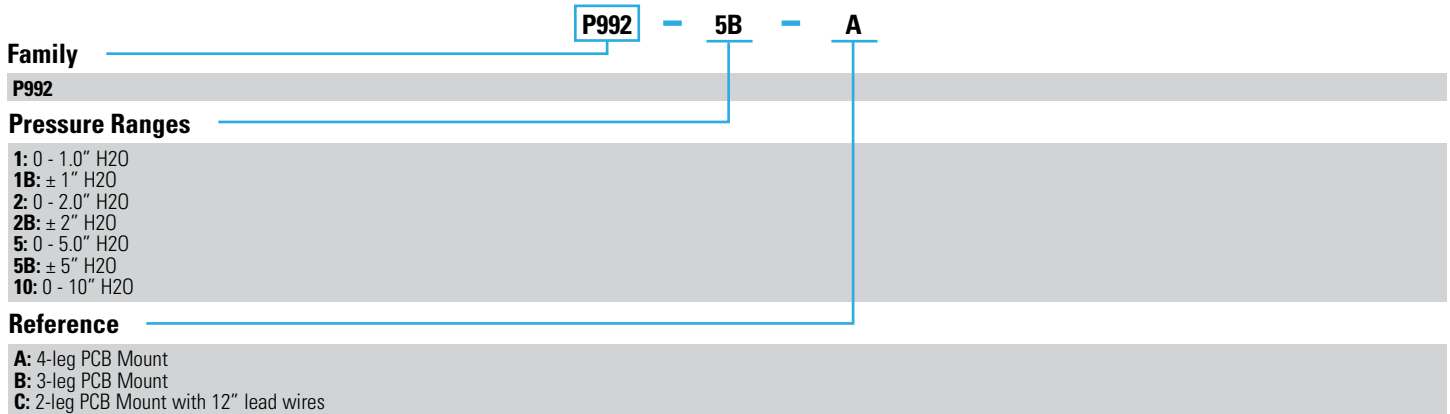




## ORDERING OPTIONS

Example: P992-5B-A

P992 Pressure Sensor, ±5" H2O, with PCB Mounting Option.



## AGENCY APPROVALS & CERTIFICATIONS



2002/95/EC ROHS Directive

Revised 3/8/18

Sensata Technologies, Inc. ("Sensata") data sheets are solely intended to assist designers ("Buyers") who are developing systems that incorporate Sensata products (also referred to herein as "components"). Buyer understands and agrees that Buyer remains responsible for using its independent analysis, evaluation and judgment in designing Buyer's systems and products. Sensata data sheets have been created using standard laboratory conditions and engineering practices. Sensata has not conducted any testing other than that specifically described in the published documentation for a particular data sheet. Sensata may make corrections, enhancements, improvements and other changes to its data sheets or components without notice.

Buyers are authorized to use Sensata data sheets with the Sensata component(s) identified in each particular data sheet. HOWEVER, NO OTHER LICENSE, EXPRESS OR IMPLIED, BY ESTOPPEL OR OTHERWISE TO ANY OTHER SENSATA INTELLECTUAL PROPERTY RIGHT, AND NO LICENSE TO ANY THIRD PARTY TECHNOLOGY OR INTELLECTUAL PROPERTY RIGHT, IS GRANTED HEREIN. SENSATA DATA SHEETS ARE PROVIDED "AS IS". SENSATA MAKES NO WARRANTIES OR REPRESENTATIONS WITH REGARD TO THE DATA SHEETS OR USE OF THE DATA SHEETS, EXPRESS, IMPLIED OR STATUTORY, INCLUDING ACCURACY OR COMPLETENESS. SENSATA DISCLAIMS ANY WARRANTY OF TITLE AND ANY IMPLIED WARRANTIES OF MERCHANTABILITY, FITNESS FOR A PARTICULAR PURPOSE, QUIET ENJOYMENT, QUIET POSSESSION, AND NON-INFRINGEMENT OF ANY THIRD PARTY INTELLECTUAL PROPERTY RIGHTS WITH REGARD TO SENSATA DATA SHEETS OR USE THEREOF.

All products are sold subject to Sensata's terms and conditions of sale supplied at [www.sensata.com](http://www.sensata.com) SENSATA ASSUMES NO LIABILITY FOR APPLICATIONS ASSISTANCE OR THE DESIGN OF BUYERS' PRODUCTS. BUYER ACKNOWLEDGES AND AGREES THAT IT IS SOLELY RESPONSIBLE FOR COMPLIANCE WITH ALL LEGAL, REGULATORY AND SAFETY-RELATED REQUIREMENTS CONCERNING ITS PRODUCTS, AND ANY USE OF SENSATA COMPONENTS IN ITS APPLICATIONS, NOTWITHSTANDING ANY APPLICATIONS-RELATED INFORMATION OR SUPPORT THAT MAY BE PROVIDED BY SENSATA.

Mailing Address: Sensata Technologies, Inc., 529 Pleasant Street, Attleboro, MA 02703, USA.

### CONTACT US

#### Americas

+1 (800) 350 2727  
sensors@sensata.com  
switches@sensata.com

#### Europe, Middle East & Africa

+359 (2) 809 1826  
pressure-info.eu@sensata.com

#### Asia Pacific

sales.isasia@list.sensata.com  
China +86 (21) 2306 1500  
Japan +81 (45) 277 7117  
Korea +82 (31) 601 2004  
India +91 (80) 67920890  
Rest of Asia +886 (2) 27602006  
ext 2808