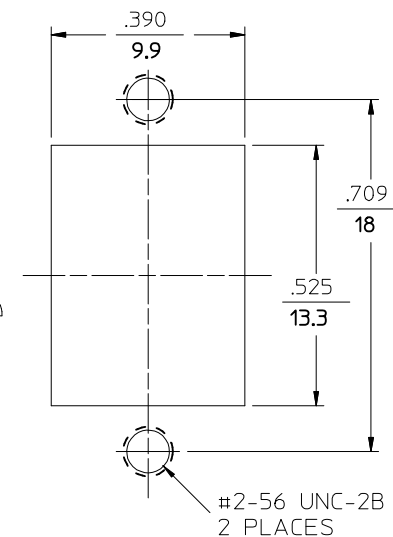
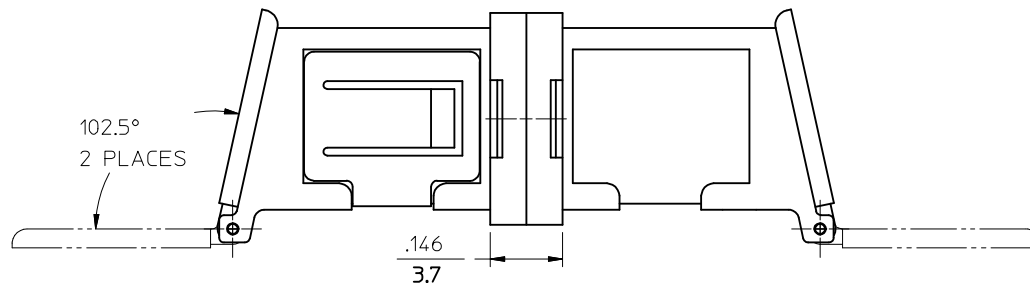
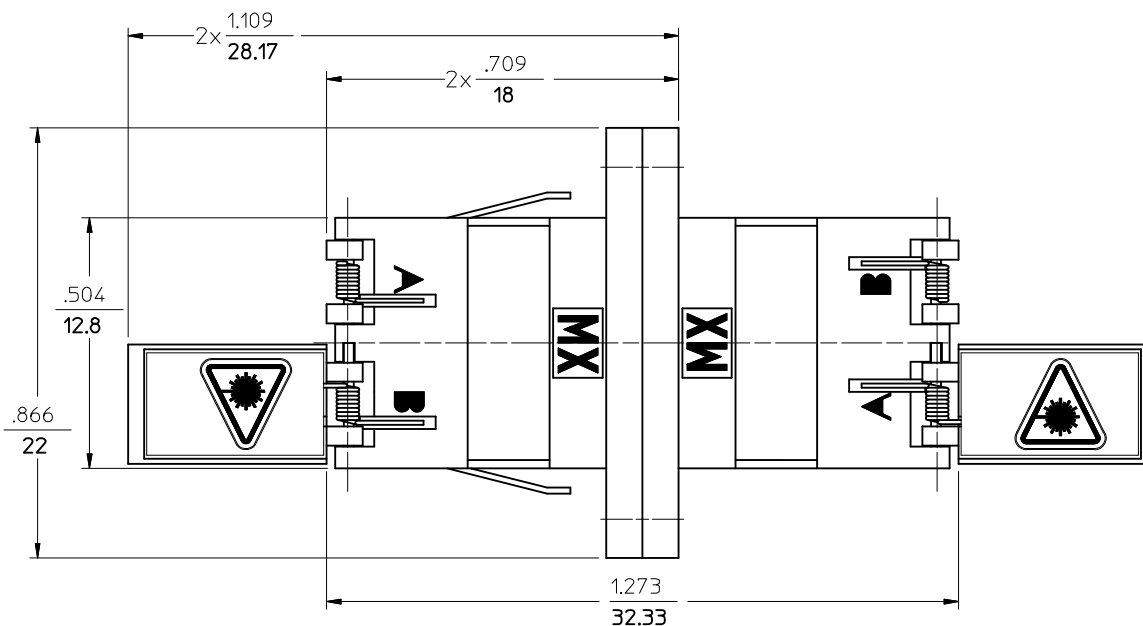
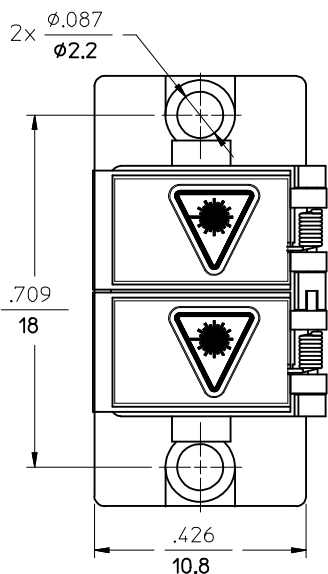
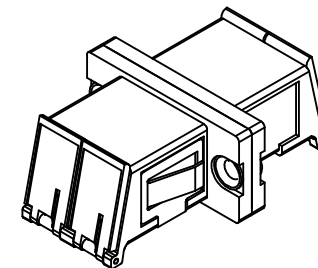


10	9
LC ADAPTER ASSY. P/N	LC SLEEVE MATERIAL
106128-0590	PH. BRONZE
106128-1590	ZR



RECOMMENDED MOUNTING CUTOUT  
FOR .063 THICK PANEL

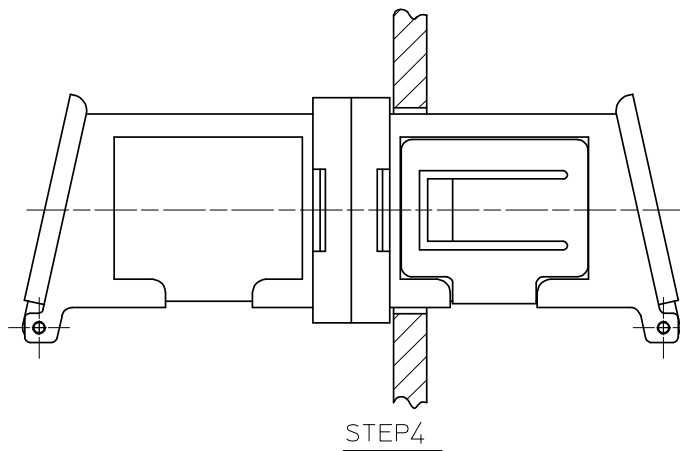
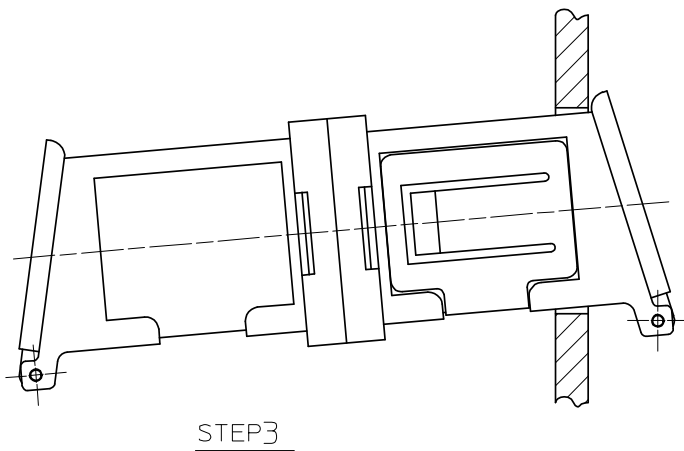
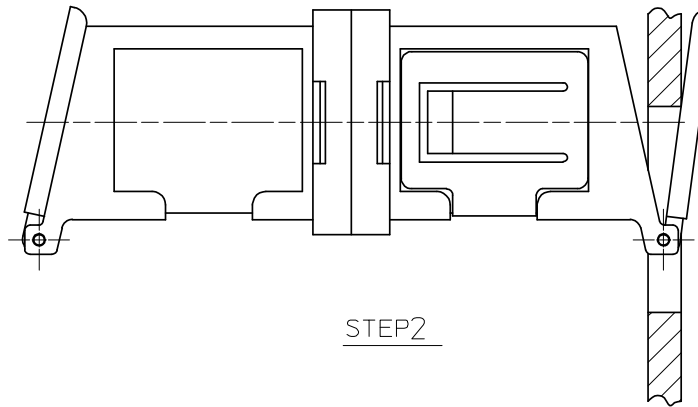
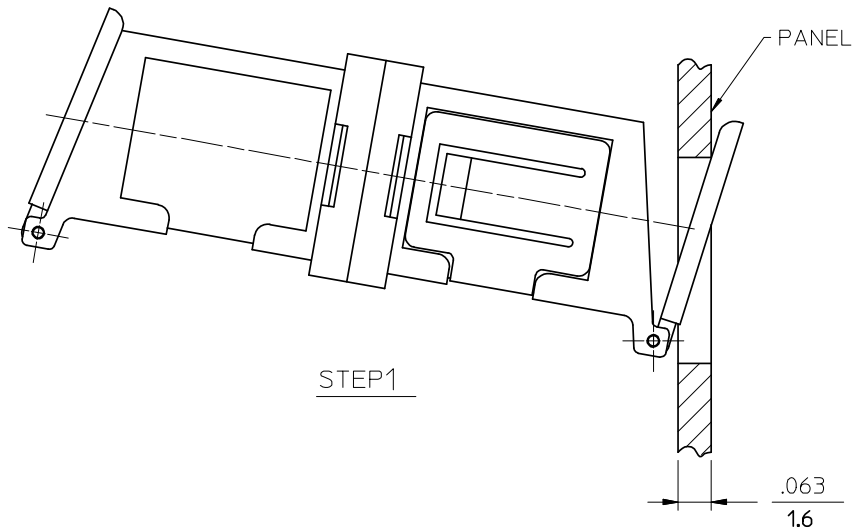


NOTES:

- ADAPTERS TO BE PACKAGED IN TRAY.

<b>ENTER DESCRIPTION</b> EC NO: MF2010-0005 DRW:MKPEVZNER 2009/07/17 CHKD: 2009/07/22 APPR: LGUMIN 2009/07/23 REV <b>A3</b>	<b>QUALITY SYMBOLS</b> $\nabla=0$ $\nabla=0$	<b>GENERAL TOLERANCES (UNLESS SPECIFIED)</b> <table border="1"> <tr> <td></td> <td>mm</td> <td>INCH</td> </tr> <tr> <td>4 PLACES</td> <td>± .005</td> <td>± .0004</td> </tr> <tr> <td>3 PLACES</td> <td>± .004</td> <td>± .0003</td> </tr> <tr> <td>2 PLACES</td> <td>± .003</td> <td>± .0002</td> </tr> <tr> <td>1 PLACE</td> <td>± .002</td> <td>± .0001</td> </tr> </table>		mm	INCH	4 PLACES	± .005	± .0004	3 PLACES	± .004	± .0003	2 PLACES	± .003	± .0002	1 PLACE	± .002	± .0001	<b>DIMENSION STYLE</b> IN/MM DRAWN BY PGIBLIN DATE 2005/10/05 CHECKED BY DATE APPROVED BY DATE	<b>SCALE</b> 4:1 <b>DESIGN UNITS</b> INCH <b>THIRD ANGLE PROJECTION</b>	<b>TITLE</b> METAL LC DUPLEX ADAPTER
		mm	INCH																	
	4 PLACES	± .005	± .0004																	
	3 PLACES	± .004	± .0003																	
2 PLACES	± .003	± .0002																		
1 PLACE	± .002	± .0001																		
<b>DRAFT WHERE APPLICABLE MUST REMAIN WITHIN DIMENSIONS</b>	<b>MATERIAL NO.</b> SEE TABLE	<b>MOLEX INCORPORATED</b>	<b>DOCUMENT NO.</b> SD-106128-X590	<b>SHEET NO.</b> 1 OF 2																
THIS DRAWING CONTAINS INFORMATION THAT IS PROPRIETARY TO MOLEX INCORPORATED AND SHOULD NOT BE USED WITHOUT WRITTEN PERMISSION																				

10 9 8 7 6 5 4 3 2 1



ENTER DESCRIPTION E.C. NO: MF2009-0058 DRAWN: KPEVZNER CHKD: 2008/08/06 APPR: IGUMIN 2008/08/07	QUALITY SYMBOLS ▽=0 ▽=0	GENERAL TOLERANCES (UNLESS SPECIFIED)		DIMENSION STYLE IN/MM	SCALE 4:1	DESIGN UNITS INCH	THIRD ANGLE PROJECTION	
		4 PLACES ± --- ± --- 3 PLACES ± --- ± --- 2 PLACES ± --- ± --- 1 PLACE ± --- ± ---	DRAWN BY PGIBLIN	DATE 2005/10/05	TITLE METAL LC DUPLEX ADAPTER			
		ANGULAR ±1/2°	CHECKED BY DATE		APPROVED BY DATE			
		DRAFT WHERE APPLICABLE MUST REMAIN WITHIN DIMENSIONS	MATERIAL NO. 1061280590	DOCUMENT NO. SD-106128-X590	MOLEX INCORPORATED			
A2				SIZE B	THIS DRAWING CONTAINS INFORMATION THAT IS PROPRIETARY TO MOLEX INCORPORATED AND SHOULD NOT BE USED WITHOUT WRITTEN PERMISSION			
							SHEET NO. 2 OF 2	

9 8 7 6 5 4 3 2 1