

| UBM (FIGURE 1) | *UBMC (FIGURE 2) | DIM. "A"   |
|----------------|------------------|------------|
| PART NO.       | PART NO.         |            |
| UBM-12.3M-01   | *UBMC-12.3M-01   | .48 [12.3] |
| UBM-15.5M-01   | *UBMC-15.5M-01   | .61 [15.5] |
| UBM-22.0M-01   | *UBMC-22.0M-01   | .87 [22]   |

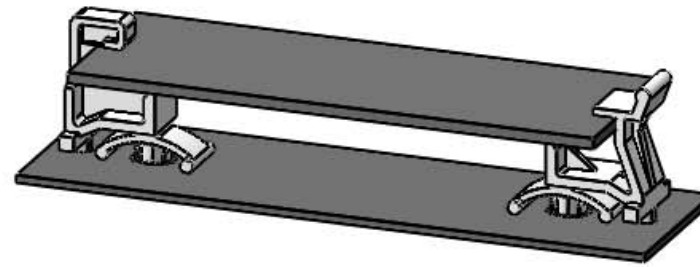
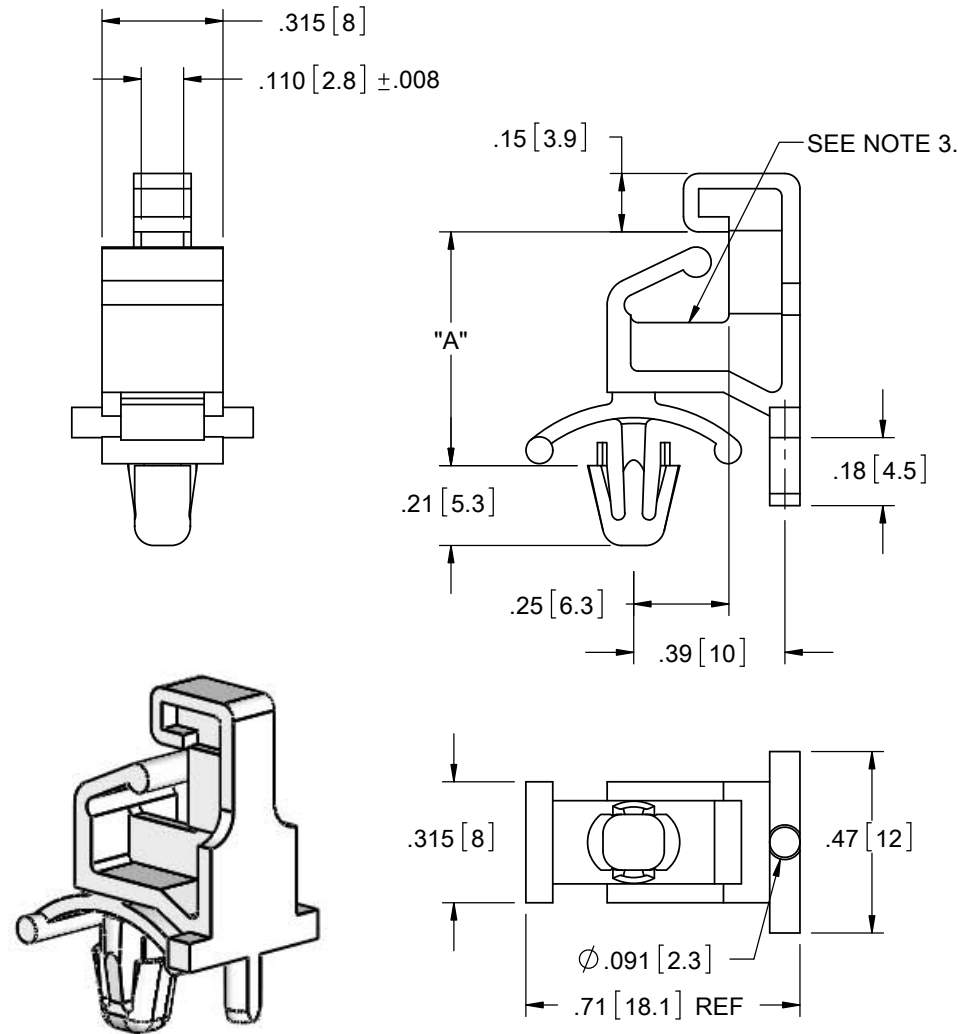


FIGURE 1



MOUNTING LAYOUT

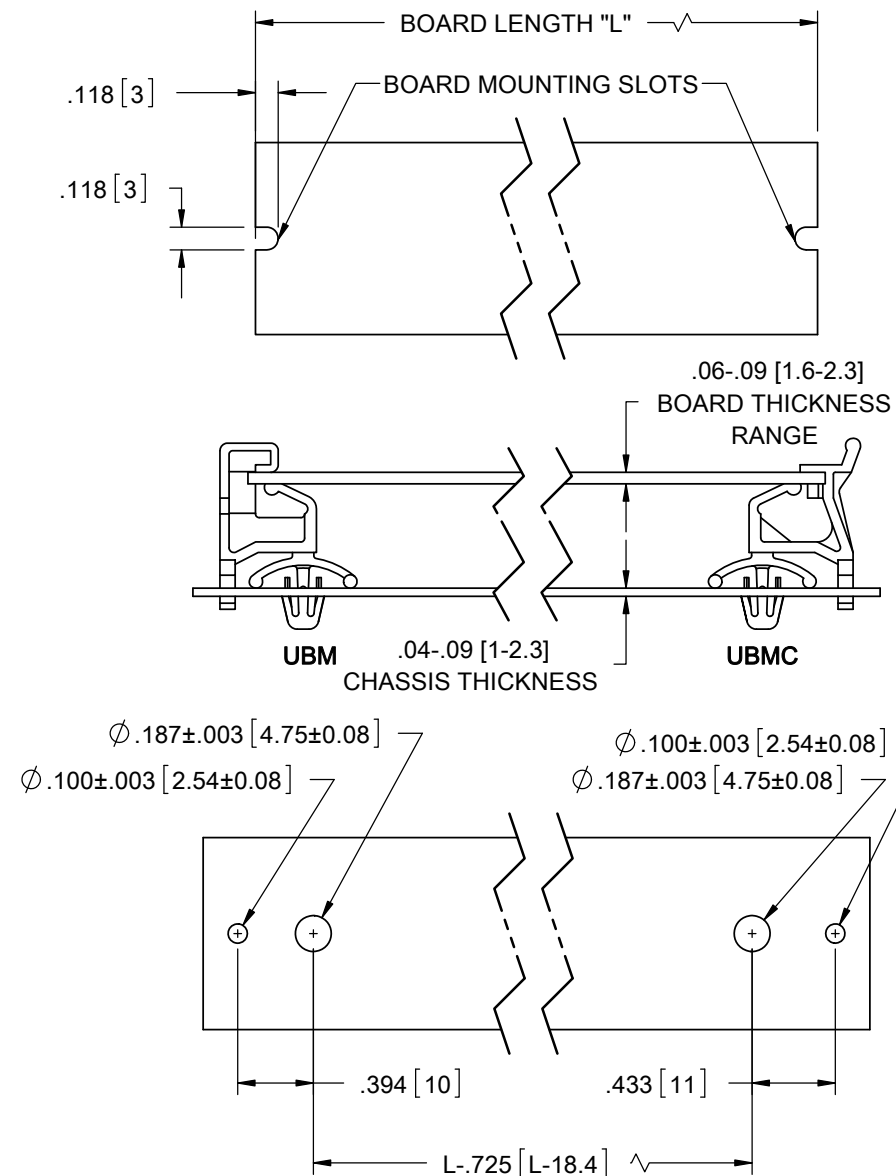
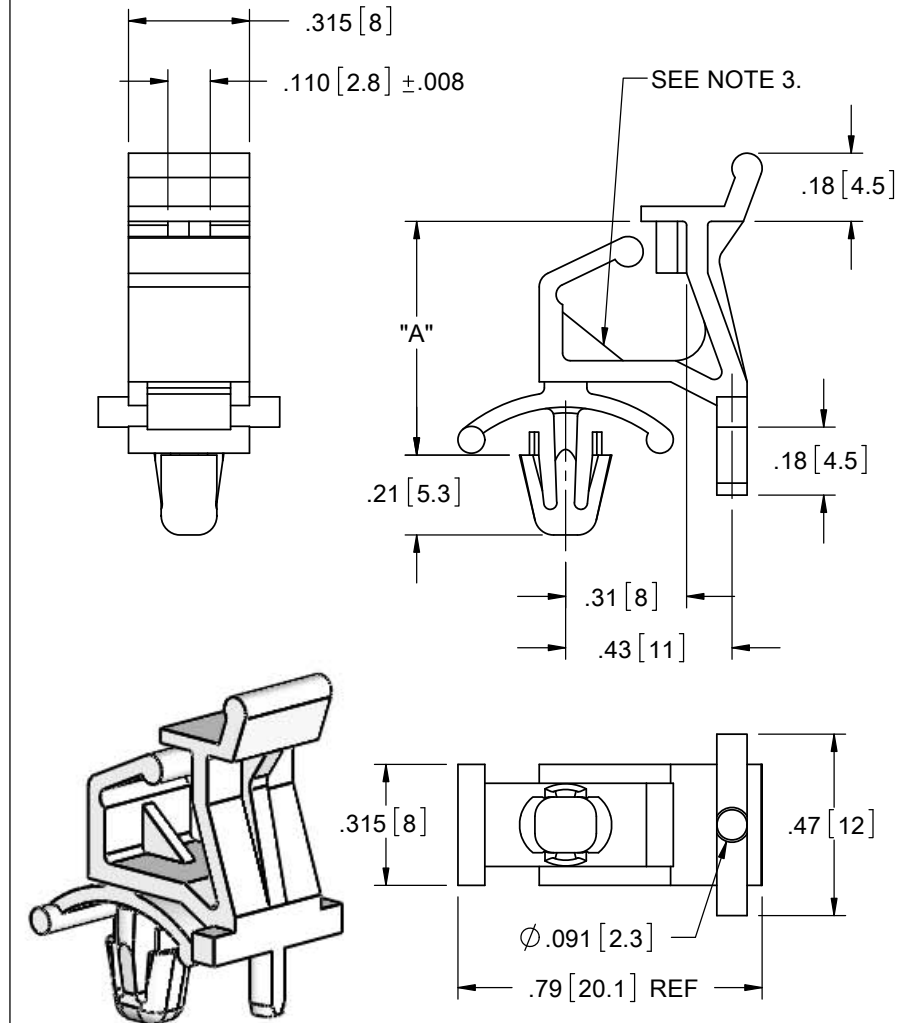


FIGURE 2



\*PARTS AVAILABLE BY SPECIAL ORDER ONLY

- NOTES:
- STANDARD MATERIAL: NYLON 6/6 UL 94 V-2 (RMS-01), COLOR NATURAL.
  - ALTERNATE MATERIAL AVAILABLE BY SPECIAL ORDER: NYLON 6/6 UL94 V-0 (RMS-19) COLOR NATURAL. TO ORDER REPLACE "-01" WITH "-19NT"
  - RIB FEATURE NOT PRESENT ON "UBM/UBMC-12.3M" PARTS

| REV. | DESCRIPTION                            | ENGR. | DATE       |
|------|--|-------|------------|
| D    | ADDED MATERIAL UL94 V-0, CO 200681     | SK    | 06.10.2011 |
| C    | ADDED NOTE 3, CO 200675                | SK    | 06.03.2011 |
| B    | SEE ECN #1277 FOR CHANGES              | SK    | 01/23/07   |
| A    | NEW DRAWING, SEE ECN #1221 FOR CHANGES | SK    | 10/12/06   |
| -    | SEE ENGINEERING FOR REVISION HISTORY   | --    | ---        |

|   |  |               |              |                |           |       |  |
|---|--|---------------|--------------|----------------|-----------|-------|--|
| TITLE: <b>UNIVERSAL BOARD MOUNT (CLIP)</b>                                    |  |               |              | DWG IN IN [MM] |           | FINAL |  |
| CREATED USING SOLIDWORKS  | FILE #: UBM(C)                                       | DWN: SK       | APP: RT      | PART #         |           |       |  |
| TOLERANCES UNLESS NOTED<br>.XX=±.010<br>.XXX=±.005<br>FRAC.=±1/64<br>ANG.=±1° | SHEET: 1 OF 1  | SHEET SIZE: B | DT: 10/11/06 | CHKD: SJ       | SEE TABLE |       |  |
| RE: RICHCO, INC.  | RICHCO, INC.<br>ENG@RICHCO-INC.COM<br>(773) 539-4060 |               | PRINT TYPE   |                | CA        |       |  |