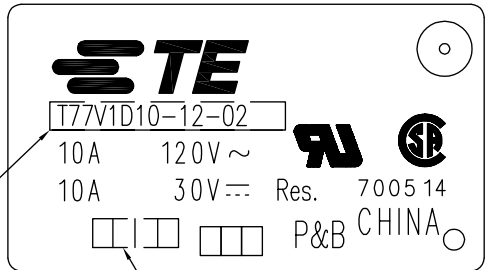


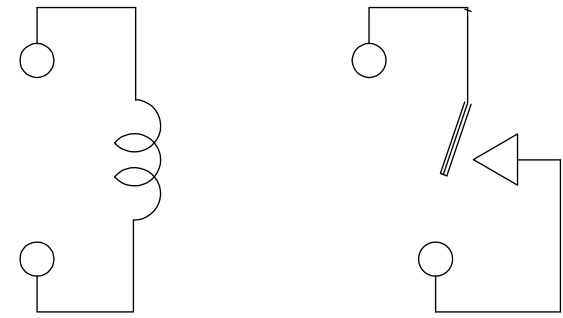
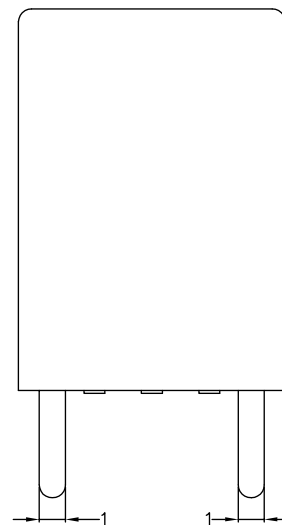
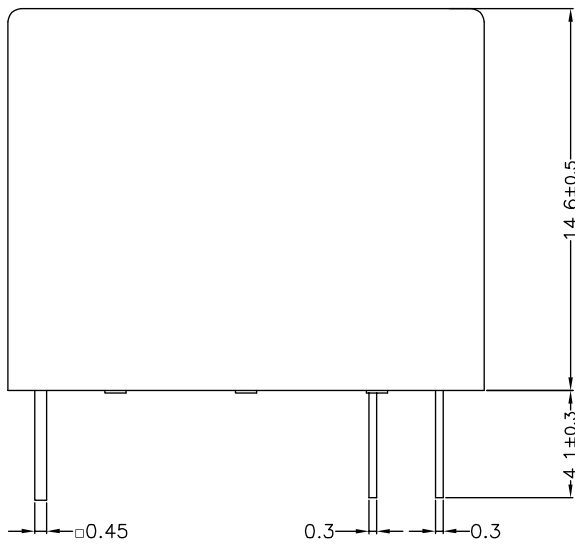
THIS DRAWING IS UNPUBLISHED. RELEASED FOR PUBLICATION  
 © COPYRIGHT - By - TE CONNECTIVITY ALL RIGHTS RESERVED.

LOC	DIST	REVISIONS				
P	LTR	DESCRIPTION	DATE	DWN	APVD	
HB	-	C1	REVUSED OER ECO-11-005140	29MAR11	RK	HMR
		C2	CHANGE LOGO & ADD LINE IDENTIFICATION ECO-12-001771	08Aug2012	HYS	YBH



PART A

LOT No



CONNECTION FIGURE

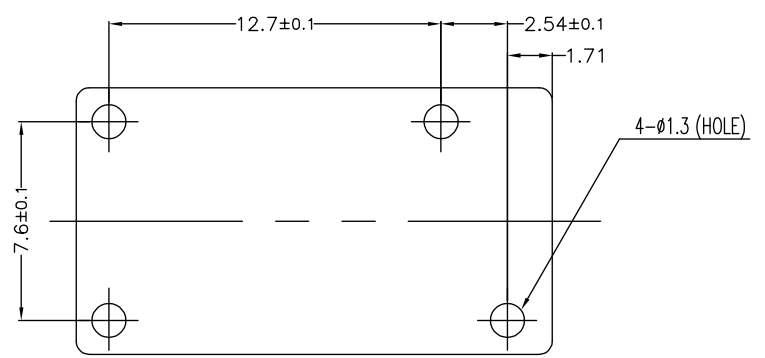
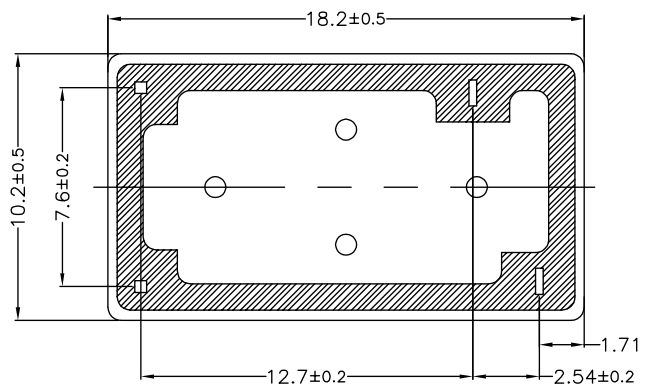


FIGURE FOR PRINTED CIRCUIT BOARD PROCESSING (BOTTOM VIEW)



THIS DRAWING IS A CONTROLLED DOCUMENT.		DWN	Fu Bo		<b>TE</b> TE Connectivity	
DIMENSIONS: mm		CHK	Xiaoning.Zhang			
TOLERANCES UNLESS OTHERWISE SPECIFIED:		APVD	CH_HSU		NAME	
0 PLC ± -		PRODUCT SPEC	-		T77*1D10-** CUSTOMER DRAWING	
1 PLC ± -		APPLICATION SPEC	-		-	
2 PLC ± -		WEIGHT	-		SIZE	RESTRICTED TO
3 PLC ± -		MATERIAL	-		A3	-
4 PLC ± -		FINISH	-		CAGE CODE	DRAWING NO
ANGLES ± -					00779	1-1393194-9
					C=	SCALE 5:1 SHEET 1 of 2 REV C2

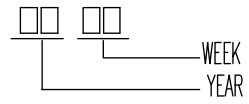
THIS DRAWING IS UNPUBLISHED. RELEASED FOR PUBLICATION  
 © COPYRIGHT - By - TE CONNECTIVITY ALL RIGHTS RESERVED.

LOC	DIST	REVISIONS					
		P	LTR	DESCRIPTION	DATE	DWN	APVD
HB	-	-	-	SEE SHEET 1	-	-	-

OBSOLETE	107-79010	3-1393194-8	T77V1D10-24-01	T77V1D10-24-01	q	Ⓢ
ACTIVE	107-79010	2-1393194-2	T77V1D10-48	T77V1D10-48	p	
ACTIVE	107-79010	2-1393194-1	T77V1D10-24	T77V1D10-24	o	
ACTIVE	107-79010	2-1393194-0	T77V1D10-18	T77V1D10-18	n	
ACTIVE	107-79010	1-1393194-9	T77V1D10-12	T77V1D10-12	m	
ACTIVE	107-79010	1440005-1	T77V1D10-09	T77V1D10-09	l	
OBSOLETE	107-79010	8-1440009-1	T77V1D10-06	T77V1D10-06	k	Ⓢ
ACTIVE	107-79010	1-1393194-8	T77V1D10-05	T77V1D10-05	j	
OBSOLETE	107-79010	1-1393194-7	T77V1D10-03	T77V1D10-03	i	Ⓢ
OBSOLETE	107-79010	9-1440004-7	T77S1D10-48	T77S1D10-48	h	Ⓢ
ACTIVE	107-79010	1-1393194-0	T77S1D10-24	T77S1D10-24	g	
OBSOLETE	107-79010	9-1440004-5	T77S1D10-18	T77S1D10-18	f	Ⓢ
ACTIVE	107-79010	1393194-9	T7S1D10-12	T77S1D10-12	e	
OBSOLETE	107-79010	1393194-8	T77S1D10-09	T77S1D10-09	d	Ⓢ
OBSOLETE	107-79010	9-1440004-2	T77S1D10-06	T77S1D10-06	c	Ⓢ
OBSOLETE	107-79010	1393194-7	T77S1D10-05	T77S1D10-05	b	Ⓢ
OBSOLETE	107-79010	1393194-6	T77S1D10-03	T77S1D10-03	a	Ⓢ
PART STATUS	PACKAGE SPEC.	PART NO	DESCRIPTION	PART A	TYPE	

RELAY TYPE

NOTE  
1.LOT NO SYSTEM AS FOLLOWING:



- Ⓢ 2.TERMINAL DIMENSION IS BEFORE SOLDER DIP;
- Ⓢ 3.FOR THE TIN-PLATING OF THE PINS:  
+0.1mm FOR WIDTH,THICKENSS AND DIAMETER.  
+0.5mm FOR LENGTH.
- Ⓢ 4.MARKING FROM INK TO LASER.

Ⓢ 5.ADD LOT NO. SYSTEM AS FOLLOWING;



- I, DIGITS FOR DAY OF THE WEEK  
1...MONDAY IN THIS WEEK;  
2...TUESDAY IN THIS WEEK;  
.....  
7...SUNDAY IN THIS WEEK
- II, DIGITS FOR SHIFT OF THE DAY  
1...DAY SHIFT IN THIS DAY;  
2...NIGHT SHIFT IN THIS DAY;
- III, ONE CHARACTER DISTINGUISH THE LINE IDENTITY, SUCH AS: A,B,....Z

		EPOXY RESIN	SEAL (BASE & BOBBIN)	15
		MW79	MAGNETIC WIRE	14
94V-0		P.B.T	CASE	13
94V-0		P.B.T	BASE	12
94VHB		P.B.T	BOBBIN	11
	SOLDER DIP	C.P WIRE	COIL TERMINAL	10
94V-0		P.P.S	CARD	9
		Ag ALLOY	MOVABLE CONTACT	8
		Ag	NO.CONTACT	7
		STEEL	HINGE SPRING	6
	SOLDER DIP	CU ALLOY	NO.TERMINAL	5
	SOLDER DIP	CU ALLOY	MOVABLE SPRING	4
	NIP	STEEL	CORE	3
	NIP	STEEL	ARMATURE	2
	NIP	STEEL	YOKE	1
INCOMBUSTIBILITY	TREATMENT	MATERIAL	DESCRIPTION	ITEM

THIS DRAWING IS A CONTROLLED DOCUMENT.

DWN Fu Bo  
CHK Xiaoning.Zhang  
APVD CH.HSU

PRODUCT SPEC  
APPLICATION SPEC

WEIGHT -

CUSTOMER DRAWING

SCALE 5:1 SHEET 2 of 2 REV C2

TE Connectivity  
T77\*1D10-\*\* CUSTOMER DRAWING

SIZE A3 CAGE CODE 00779 DRAWING NO 1-1393194-9 RESTRICTED TO