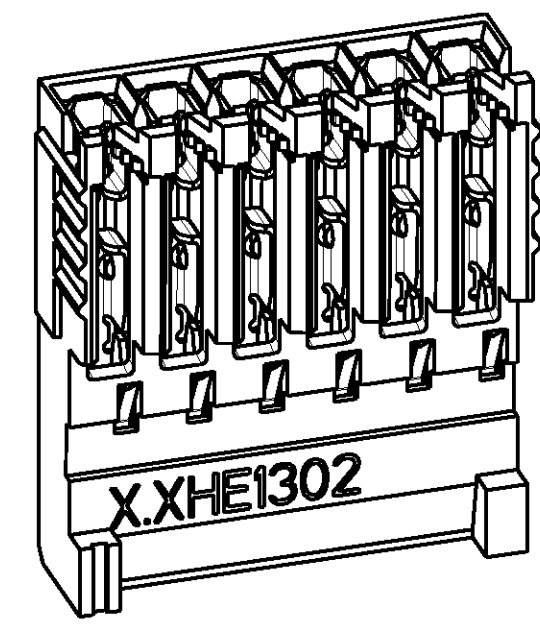
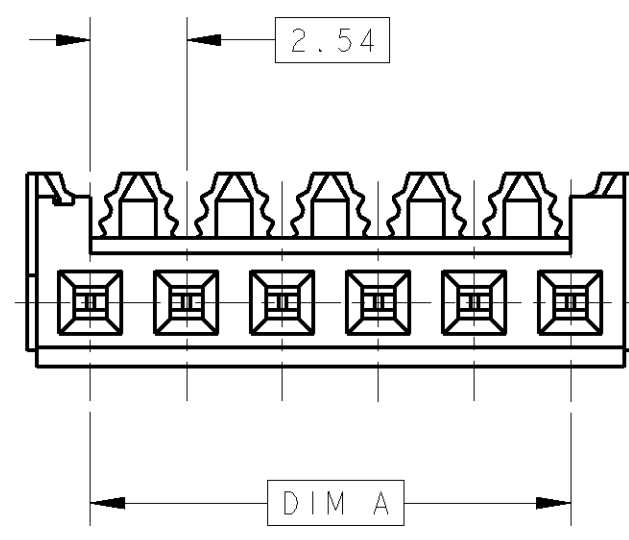


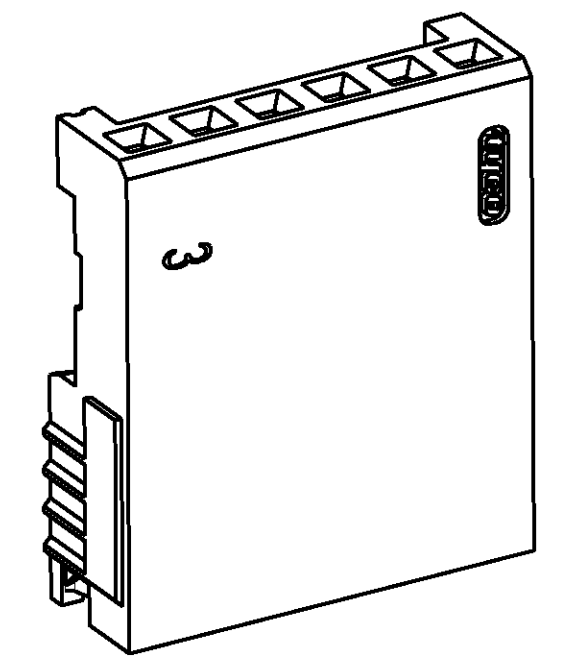
THIS DRAWING IS UNPUBLISHED. / RELEASED FOR PUBLICATION
 DIFFUSION RESTREINTE / LIBRE A LA DIFFUSION
 © COPYRIGHT 20 BY TYCO ELECTRONICS CORPORATION. ALL RIGHTS RESERVED. / TOUS DROITS RESERVES

FILS ADMISSIBLES (ACCEPTABLES WIRES)	
JAUGE (AWG) SECTION / 7 BRINS (7 STRANDS)	28-26 0.08-0.12mm ²
ISOLANT: Ø MAX / MATIERE (INSUL.: Ø MAX / MAT'L)	Ø 1 / PVC

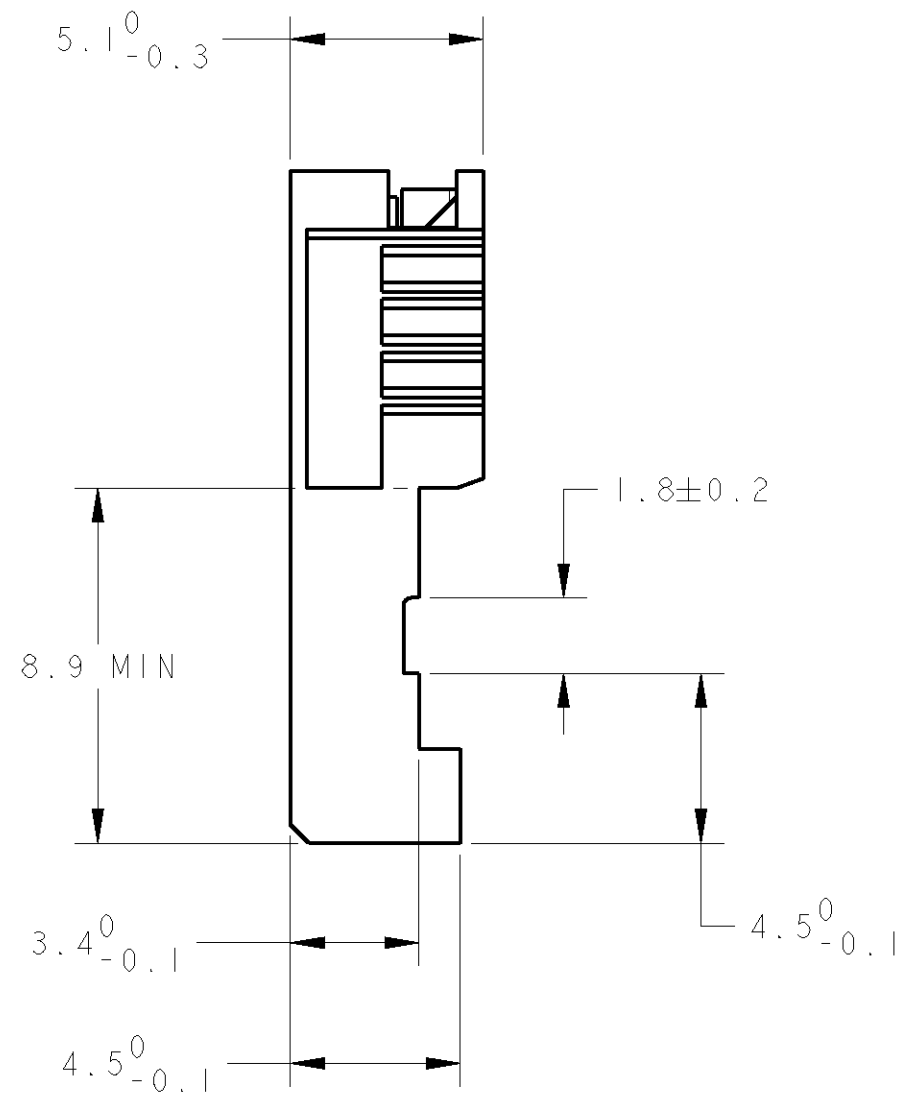
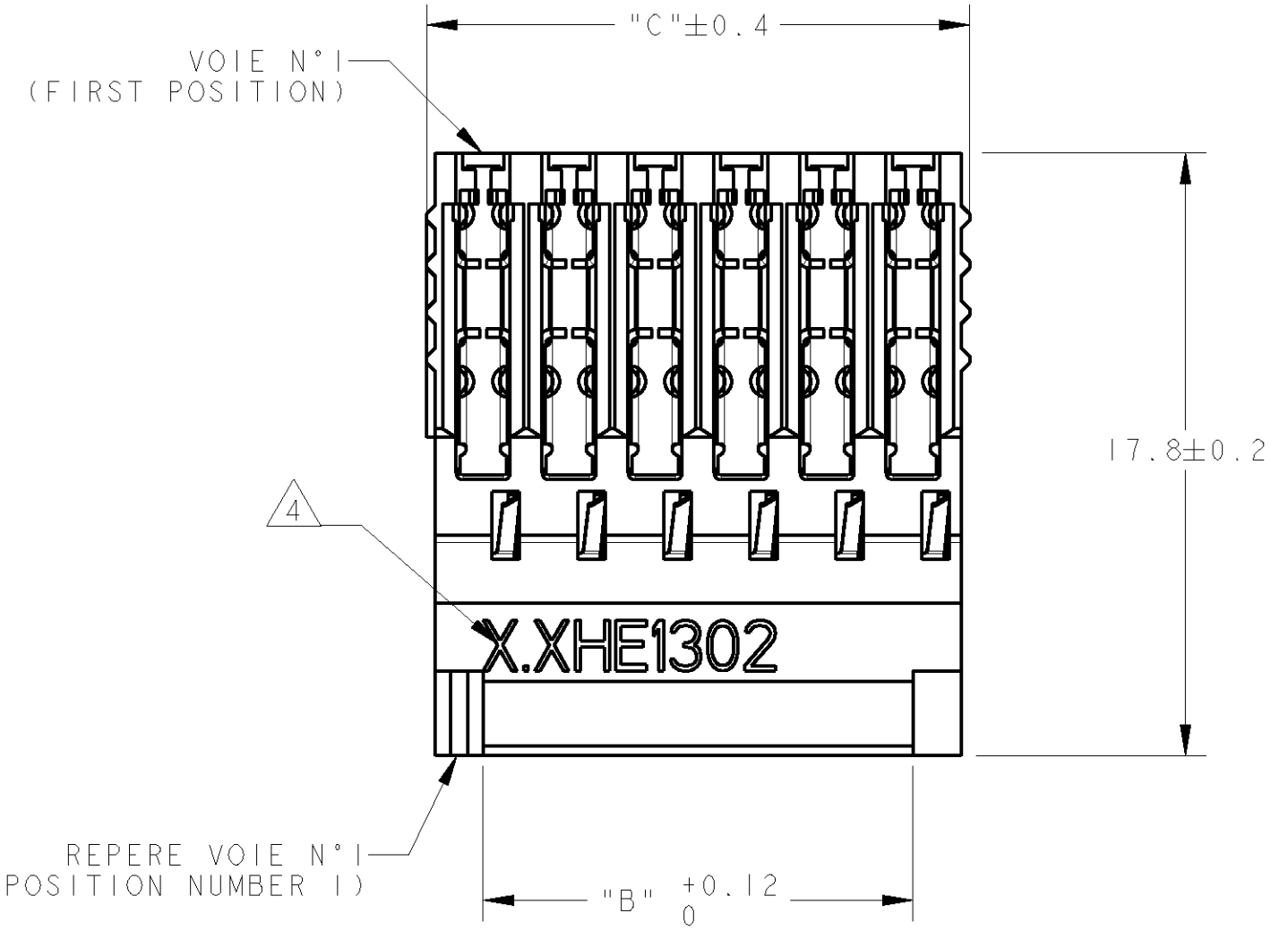
REVISONS		DATE	DWN DESS.	APVD APP.
P	LTR	DESCRIPTION MODIFICATIONS		
	A	REDESSINE	06/90	AC
	B	REDESSINE SUR (REDRAWN ON) PRO/ENG	10SEP2002	CC YP
	C	UPDATED	28MAR2007	TC YP



SCALE 4:1



SCALE 4:1



- 1 CES CONNECTEURS SONT PREVUS POUR ETRE ACCOUPLES AVEC LES EMBASES 'HE1302' SIMPLE RANGEE (THESE CONNECTORS ARE DESIGNED TO BE MATED WITH 'HE1302' HEADERS SINGLE ROW)
- 2 LES REFERENCES SUIVIES D'UN ' * ' SONT LES VERSIONS NORMALISEES SELON LA 'CEI 603-8' (THE PART-NO FOLLOWED BY ' * ' ARE COVERED BY THE INTERNATIONAL STANDARD 'IEC603-8')
- 3 REVETEMENT DES CONTACTS: 0.38µm D'OR DANS LA ZONE DE CONTACT, ETAIN SUR LA SORTIE CAD, SOUS-COUCHE NICKEL (CONTACTS PLATING: 0.38µm GOLD ON CONTACT AREA, TIN ON I.D. BARREL AREA, NICKEL UNDERPLATING)
- 4 8.6 SIGNIFIE JAUGE 28-26 (8.6 REFERS TO 28-26 AWG)
- 5 MATIERES - BOITIER: PBT UL94V0, BLEU - CONTACTS: BRONZE PHOSPHOREUX. (MATERIAL - HOUSING : PBT UL94V0, COLOR BLUE - CONTACTS: PHOSPHOR BRONZE)

46.52	43.18	18	1-281787-8	*
38.90	35.56	15	1-281787-5	*
31.28	27.94	12	1-281787-2	*
26.20	22.86	10	1-281787-0	*
21.12	17.78	8	0-281787-8	*
16.04	12.70	6	0-281787-6	*
13.50	10.16	5	0-281787-5	*
10.96	7.62	4	0-281787-4	*
8.42	5.08	3	0-281787-3	*
5.88	2.54	2	0-281787-2	*
C	A, B	Nb DE POS	REFERENCES (PART No)	
DIMENSIONS				

THIS DRAWING IS A CONTROLLED DOCUMENT FOR TYCO ELECTRONICS CORPORATION IT IS SUBJECT TO CHANGE AND THE CONTROLLING ENGINEERING ORGANIZATION SHOULD BE CONTACTED FOR THE LATEST REVISION. CE PLAN EST UN DOCUMENT CONTROLÉ PAR AMP INCORPORATED. IL EST SUSCEPTIBLE D'ÊTRE REVISÉ, CONTACTER LE SERVICE TECHNIQUE D'AMP DE FRANCE POUR OBTENIR LA DERNIÈRE RÉVISION.		DWN/DESSINE C. COMBEDOUZON 29NOV2000	AMP DE FRANCE 95301 PONTOISE
DIMENSIONS: mm		CHK/VERIFIE T. CORRIOU 29NOV2000	NAME HE 1302 PLUG, 180° IDC SINGLE ROW
TOLERANCES UNLESS OTHERWISE SPECIFIED: (SUIV NB DE DECIMALES) 0 PLC/DEC: ± 1 PLC/DEC: ±0.3 2 PLC/DEC: ± 3 PLC/DEC: ± 4 PLC/DEC: ± ANGLES ±5°		APVD/APPROUVE Y. PETRONIN 29NOV2000	SIZE A2
MATERIAL/MATIERE		PRODUCT SPEC SPEC. PRODUIT 108-15053	CAGE CODE 00779
FINISH/FINITION		APPLICATION SPEC SPEC. APPLICATION 114-15031	DRAWING NO No PLAN C-281787
WEIGHT MASSE APPROX.		UNIQUEMENT POUR REFERENCE	RESTRICTED TO RESERVE A
CUSTOMER DRAWING /PLAN CLIENT		SCALE ECHELLE 5:1	REV C