

4

3

2

1

THIS DRAWING IS UNPUBLISHED.

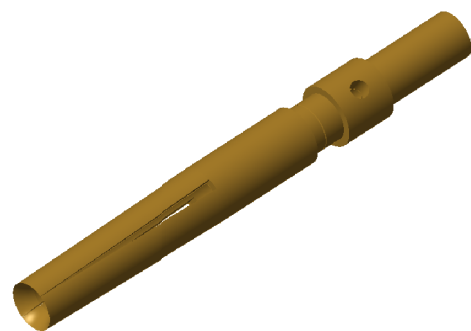
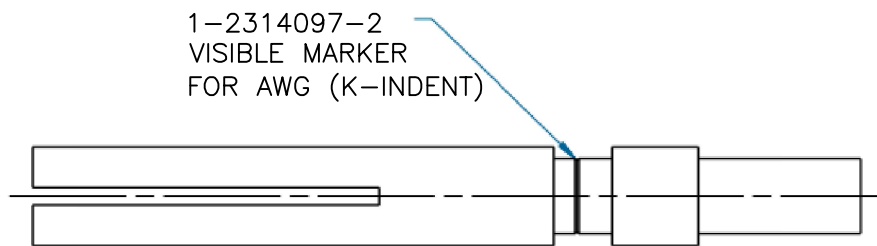
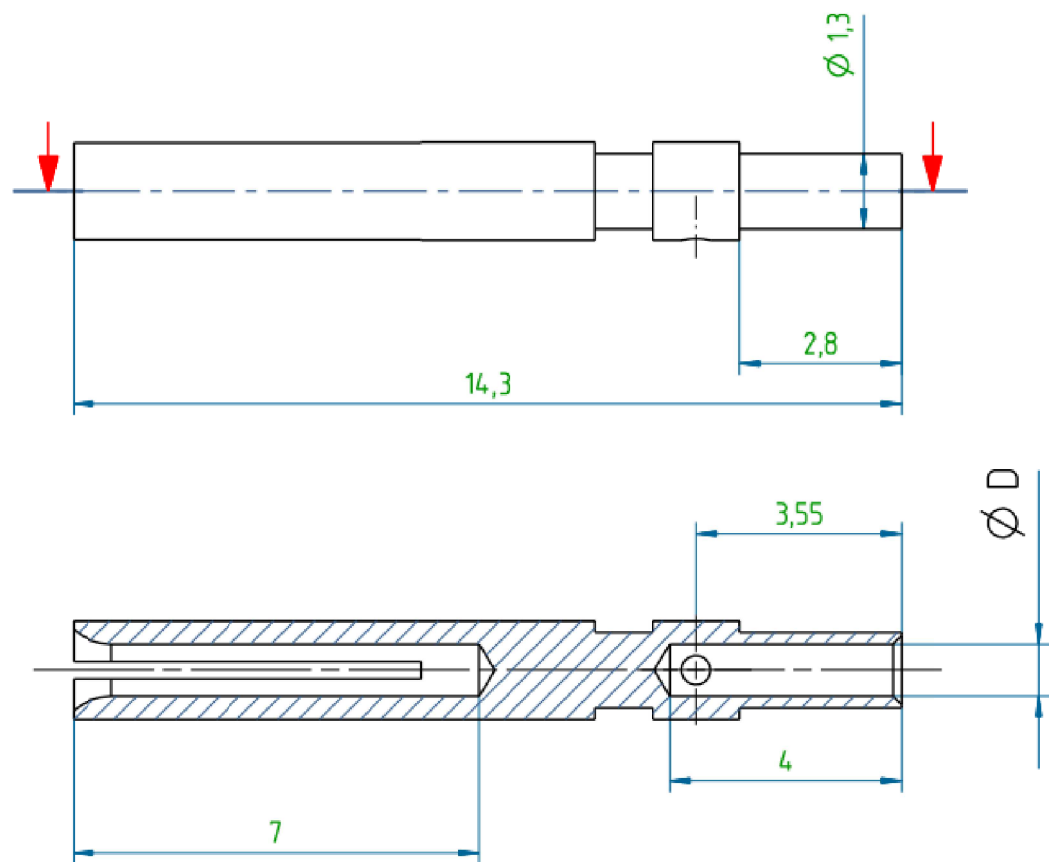
RELEASED FOR PUBLICATION

REVISIONS

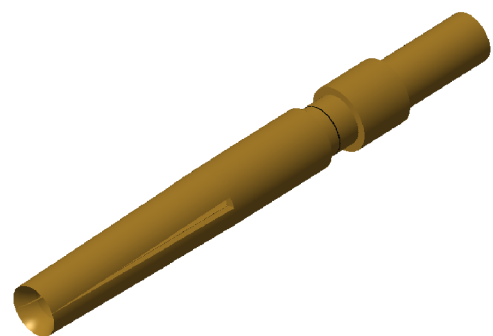
© COPYRIGHT - By - ALL RIGHTS RESERVED.

P	LTR	DESCRIPTION	DATE	DWN	APVD
	A1	REVISED PER ECR-16-014891	09JAN2017	KK	SE

PROJECT	PRJ-14-000004825
PART NO.	X-2314101-X
DESCRIPTION	M12 CRIMP CONTACT SOCKET 0.8mm AWG22/AWG26
CUSTOMER	GENERAL MARKET



1-2314101-1



1-2314101-2

2	1-2314101-2	M12 CRIMP CONTACT SOCKET A 0.8MM AWG26 (AU08)	0.6	BRASS	1.5-2.5µm Ni/0.8µmAu	K-INDENT
1	1-2314101-1	M12 CRIMP CONTACT SOCKET A 0.8MM AWG22 (AU08)	0.9		1.5-2.5µm Ni/0.8µmAu	-
SL.NO	PART NO.	PART NAME	ØD	MATERIAL	SURFACE TREATMENT	REMARKS

THIS DRAWING IS A CONTROLLED DOCUMENT.

DWN KIRAN K 06DEC2016

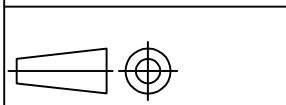
CHK KIRAN K 06DEC2016

APVD S EGBERT 06DEC2016



DIMENSIONS: mm

TOLERANCES UNLESS OTHERWISE SPECIFIED: DIN ISO 2768 m



0 PLC	± -
1 PLC	± -
2 PLC	± -
3 PLC	± -
4 PLC	± -
ANGLES	± -
MATERIAL	-
FINISH	-

PRODUCT SPEC

108-156001

APPLICATION SPEC

114-156002

WEIGHT

NAME M12 CRIMP CONTACT SOCKET 0.8mm AWG22/AWG26

SIZE	CAGE CODE	DRAWING NO	RESTRICTED TO
A3	A	©=2314101	-

CUSTOMER DRAWING

SCALE NTS SHEET 1 OF 1 REV A1

NOTES:

- APPLICATION TOOLING TO BE USED 601967-1 (STANDARD) OR 601966-1 (COMPACT).