



**Mallory Sonalert Products, Inc.**

Part #:

**SC616NJ**

**Sales Outline Drawing**

Revision:

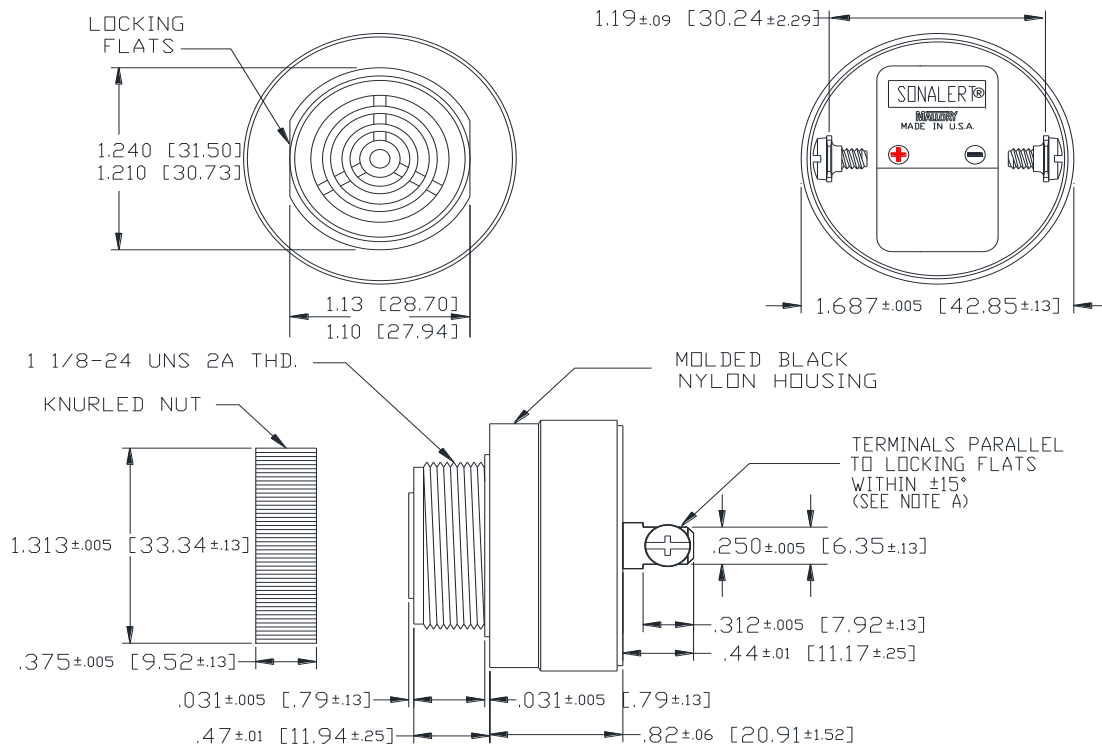
**E**

**Specifications:**

|                       |  |
|-----------------------|--|
| Sound Level Category  | Loud   |
| Mode of Operation     | Slow Pulse @ 0.5 - 3.5 PPS   |
| Voltage Rating        | 6 to 16 VDC  |
| Frequency             | 2900 ± 500 Hz  |
| Loudness @ 2 FT       | 91 to 103 dB(A) Typ.   |
| Loudness @ Min Vdc    | 80 dB(A) @ 2 Feet and 6 Vdc  |
| Loudness @ Max Vdc    | 95 dB(A) @ 2 Feet and 16 Vdc   |
| Current Draw          | 6-22mA   |
| Duty Cycle (%)        | 50   |
| Housing Material      | 6/6 Nylon, Color: Black  |
| Storage Temperature   | -40° to +85° C   |
| Operating Temperature | -30° to +65° C   |
| Panel Mounting        | Recommended hole size is 1.25"(31.75mm). Thread front will fit standard 30mm(1.181") hole. |
| Knurled Nut           | Used to attach part to panel. The max recommended torque is 10 in-lbs.                     |
| Weight (Typical)      | 1.6 oz (45g)   |
| NEMA 3R,4X, & 12      | Approved with use of ACC03.  |
| Options               | Please contact factory.  |

**Dimensions:** Inches (mm)

**cUL Recognized**



NOTE A: TERMINALS-.032 BRASS TIN PLATED, TAPPED FOR #6-32 SCREW. TWO #6-32 NICKEL PLATED BRASS SCREWS INCLUDED. WILL ACCEPT 1/4" QUICK CONNECT.

NOTE B: MOUNTING- REMOVE BLACK PLASTIC NUT AND INSERT THREADED FRONT THROUGH 1.25" HOLE PUNCHED IN PANEL, IF ORIENTATION IS NEEDED, NOTE LOCKING FLATS ON DRAWING. SCREW NUT BACK ON. DO NOT OVERTIGHTEN.