

# LineGard® GFCI Sensing Module PGFM Series

- Power and fault status indicators
- Double insulated user interface
- Industrial design for rough service
- Chemical and UV resistant enclosure
- Trip level: 5mA +/- 1mA Class A UL 943
- Current sensing coil accepts 2 - 4 (8 ga) wires (i.e. Single and split phase)
- Sensing module operates at 120VAC or 240VAC, single phase
- Available in automatic or manual reset configurations\*



## Product Description:

The LineGard® GFCI Sensing Module is a ground fault or equipment leakage sensing device designed and manufactured by North Shore Safety, a leader in innovated safety products. The PGFM operates in tandem with an approved Airpax LEL Series, UL 489 listed circuit breaker, with shunt trip and auxiliary switch.

The combined assembly is listed as a Class A UL 943 rated device. The sensing module is available in models to operate at supply voltages of 120 VAC or 240VAC and can monitor single and split phase circuits.

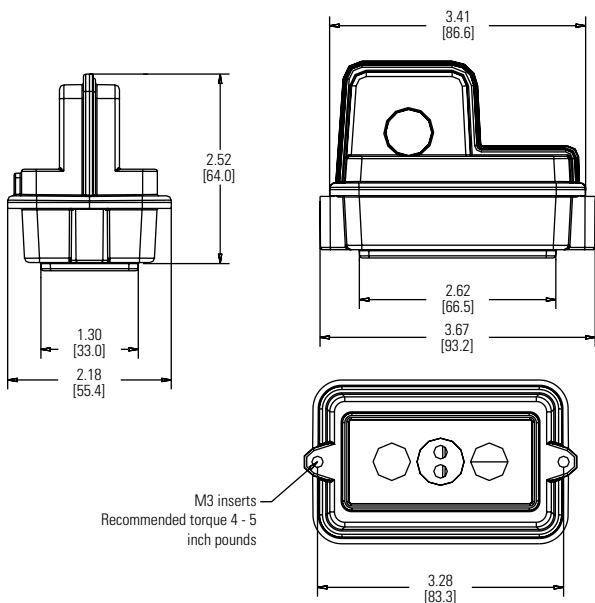
These devices meet the requirements of OSHA 29 CFR 1926.404 (b)(1)(ii) and OSHA 29 CFR 1926.405 (a)(2)(ii)(G) and are backed by a 2 year manufacturer's warranty.

## Specifications:

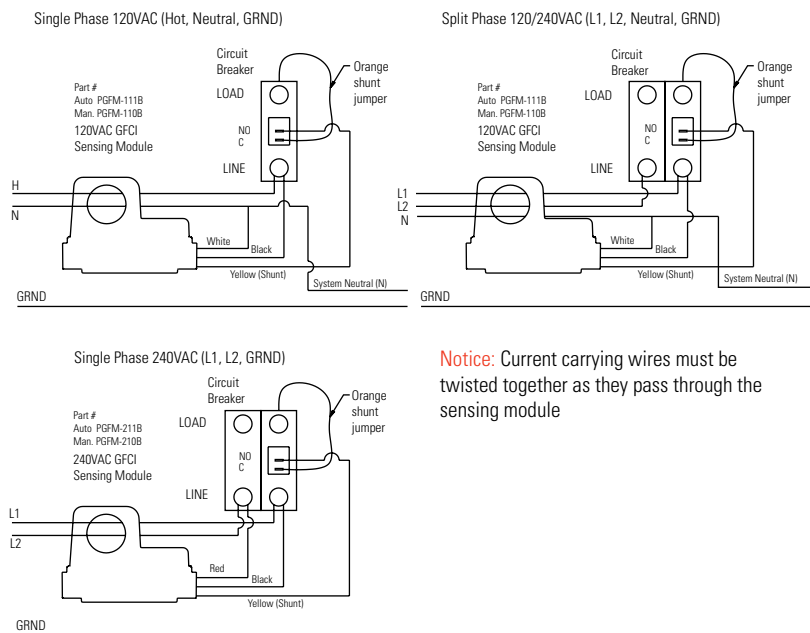
Type:	UL 943 Class A
Operating voltage:	120VAC or 240VAC
Sensing coil voltage:	600VAC maximum
Sensing module current:	10mA draw
Module response time:	6-8mS
Trip time, combined assembly:	25mS
Trip level, Class A:	5mA +/- 1mA (UL 943)
Operating frequency:	50/60 Hz
Operating temperature:	-35°C to 66°C
Let-go voltage:	60% of supply voltage
Reset type:	Automatic or manual <sup>1</sup>
Switch interface:	Double insulated
Interrupting capacity:	As per Airpax circuit breaker UL 489 approval

- Note: 1. Manual configuration should be specified if automatic start-up after power restoration of circuit power creates an unsafe condition.  
 2. As per UL 943 requirements, portable devices may require breaking of neutral during ground fault detection. Please contact the factory.  
 3. Please contact Airpax for optional ELCI, UL 1053 compliant devices.

### Sensing Module Dimensions:

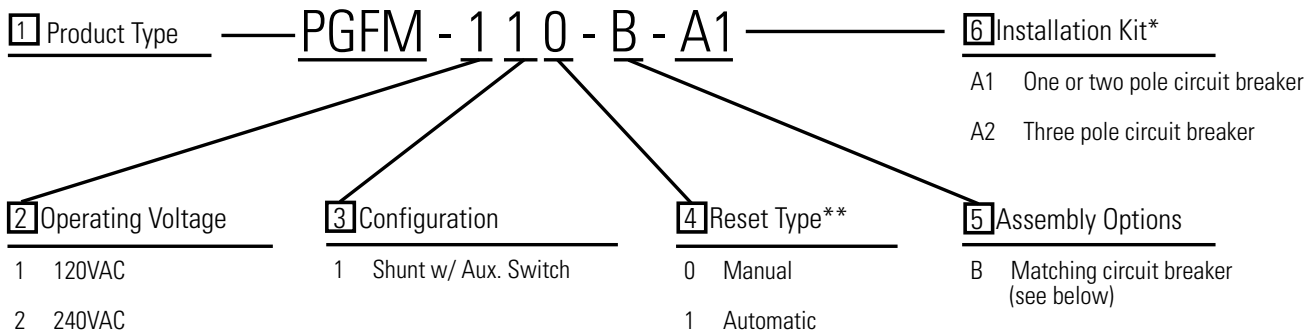


### Circuit Schematic (examples):



**Notice:** Current carrying wires must be twisted together as they pass through the sensing module

### ORDERING EXAMPLE:



\*Note: Installation kits are for mounting the module and connecting to the tandem circuit breaker.  
 A1 - Kit # 057-000-0001 = panel seal gasket, module mounting screws, instructions and jumper with two 90° quick connectors  
 A2 - Kit # 057-000-0002 = panel seal gasket, module mounting screws, instructions and jumper with one 90° quick connector and one straight quick connector

\*\*Note: Manual configuration should be specified if automatic power-up, after power restoration of circuit power, could create an unsafe condition.

To determine a matching circuit breaker for use in tandem with the LineGard® Sensing Module, please contact us directly or your local Airpax Representative for assistance with the appropriate identifying part number.

