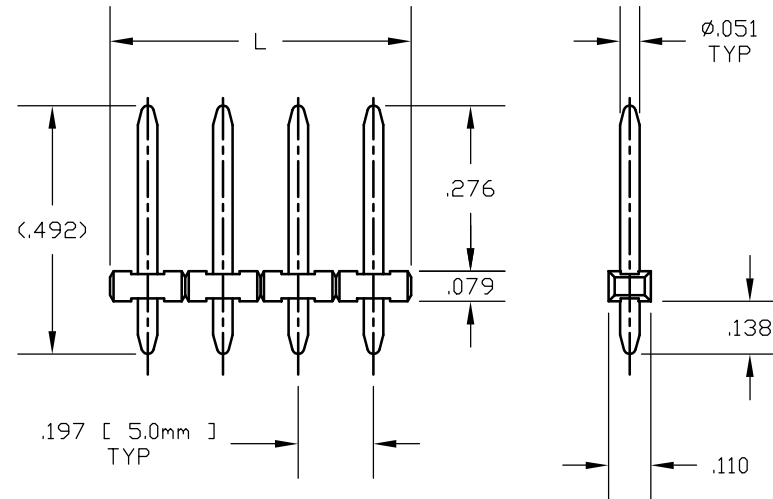


REV	ECN	APPD
-	4785	

L=PITCH X POSITIONS

NOTES:

- 4 POSITION SHOWN



ESZHXX160

NUMBER OF POSITIONS (02-24)

UL
RATINGS
CURRENT - 12A
VOLTAGE - 300V
U.L. FILE NO.

CSA
RATINGS
CURRENT - 12A
VOLTAGE - 300V
CSA FILE NO.

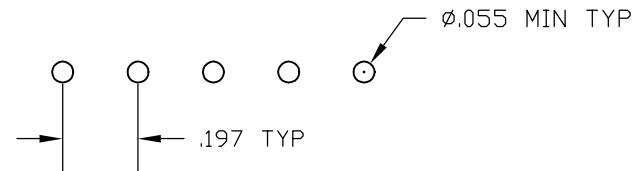
DIN VDE 0627:1986
DIN VDE 0110-1:1989
EN 60947-1:1991
EN 60947-7-1:1992

CURRENT - 12A
VOLTAGE - 250V
TUV FILE NO.

OPERATING TEMPERATURE RANGE: -40°C TO 110°C
RECOMMENDED PCB THICKNESS: .094 MAX

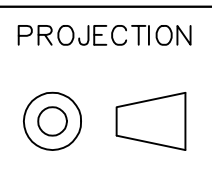
MATERIALS

HOUSING: POLYAMIDE 6/6, COLOR: BLACK
CONTACT: COPPER ALLOY, TIN PLATED
SCREW / CAGE CLAMP: COPPER ALLOY, NICKEL PLATED



DIMENSIONS
ANSI Y14.5M
UNITS: INCHES
ACAD FILE

TOLERANCES
.XX ±.01
.XXX ±.005
ANGLES ±2°



SPECIFICATION DRAWING
ENGR
I. QUINN 2/4/02



TITLE
ESZH SERIES
STICK PIN HEADER
.197[5MM] PITCH

ORIGINAL STAMPED IN RED

THIS DOCUMENT CONTAINS PROPRIETARY INFORMATION WHICH IS THE CONFIDENTIAL PROPERTY OF PCD, INC. PEABODY, MA, USA

CHKD
APPD

SIZE A DWG NO. ESZH02160 REV -
CODE: 58982 SCALE: NONE SHEET 1 OF 1