

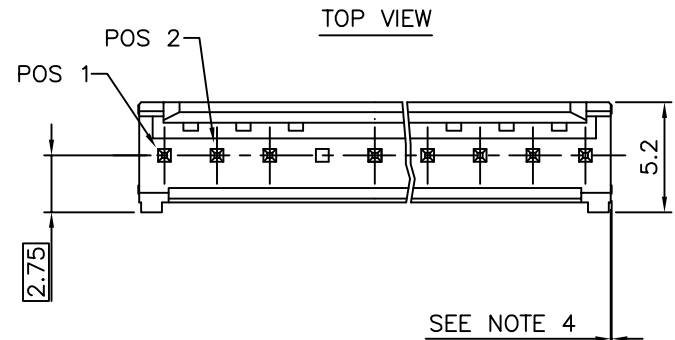
PRODUCT NUMBER  
77773-YXXLF

RoHS COMPATIBLE, SEE NOTE 7

PLATING

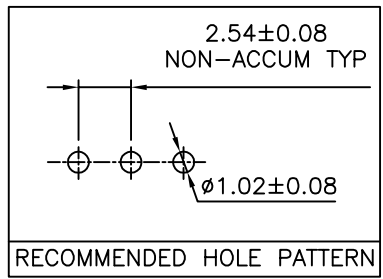
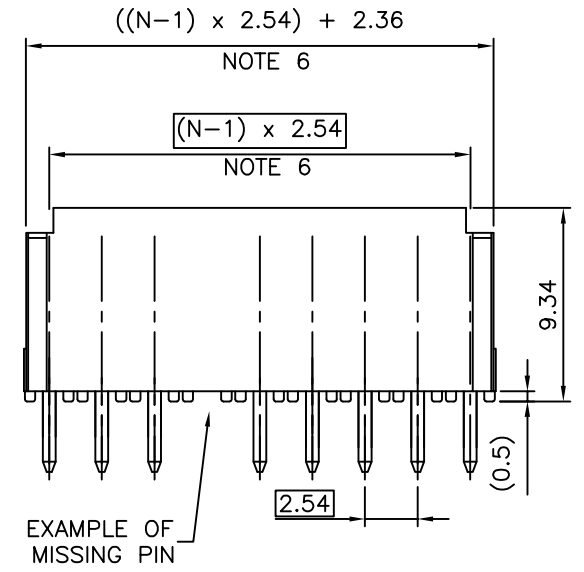
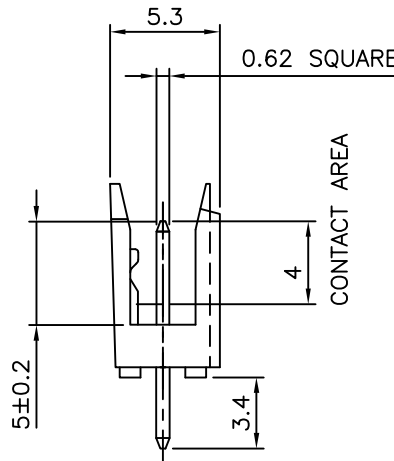
3=0.76µm GOLD/GXT ON CONTACT AREA  
2µm MIN MATTE TIN ON TAIL  
4=2µm MIN MATTE TIN FULL PLATED  
1.27µm Ni MIN UNDERPLATING

| STYLE | SIZE | OMIT PIN POSITION FROM TOP VIEW               |
|-------|------|---|
| 01    | 1x09 | 2   |
| 02    | 1x35 | 4;5;6;7;8;12;13;14;15;16;20;21;22;23;24;28;32 |
| 03    | 1x21 | 2;4;6;8;10;12;14;16;18;20;21                  |
| 04    | 1x21 | 1;2;4;6;8;10;12;14;16;18;20                   |
| 05    | 1x10 | 8   |
| 06    | 1x06 | 1   |
| 07    | 1x08 | 7   |
| 08    | 1x04 | 2   |
| 09    | 1x04 | 3   |
| 12    | 1x21 | 2;4;6;8;10;12;14;16;18;20                     |
| 13    | 1x05 | 2;4   |
| 14    | 1x03 | 2   |
| 15    | 1x25 | 1;3;5;7;9;11;13;15;17;19;21;23;25             |



NOTES:

- BODY MATERIAL: POLYESTER 30% GLASSFILLED COLOR BLUE, FLAME RETARDANT PER UL-94 V0.
- CONTACT MATERIAL: PHOSPHOR BRONZE.
- 15N MIN PIN RETENTION IN EITHER DIRECTION
- 0.6 MAX PROTRUSION PERMITTED AT 4 PLACES
- PACKAGING :  
- POLYBAGS FROM 02 TO 06 POSITIONS  
- TUBE FROM 07 TO 36 POSITIONS
- TO DETERMINE DIMENSIONS :  
N = NUMBER OF POSITIONS PER ROW  
EXAMPLE : 8 POS N x 2.54 = 20.32mm
- RoHS COMPATIBLE PRODUCT SPECIFICATIONS
  - PLATING:  
- "LF" MEANS THE PRODUCT IS LEAD-FREE, 2µm MINIMUM MATTE TIN OVER 1.27µm MINIMUM NICKEL UNDERPLATE.
  - MANUFACTURING PROCESS COMPATIBILITY  
- THE HOUSING WILL WITHSTAND EXPOSURE TO 245°C ±5°C SOLDER BATH TEMPERATURE FOR 5 SECONDS IN A WAVE SOLDER APPLICATION WITH A 1.6mm MIN THICK CIRCUIT BOARD.
  - LABELING:  
- MEETS PACKAGING SPECS AS PER GS-14-920
  - LEGAL STATEMENT: SEE GS-47-0004



|             |                |          |          |                                       |  |                  |  |                    |  |
|-------------|----------------|----------|----------|---------------------------------------|--|------------------|--|--------------------|--|
| mat'l. code |                | surface  |          | tolerance                             |  | projection       |  | product family     |  |
| SEE P/N     |                | ISO 1302 |          | ISO 406 ISO 1101                      |  | mm               |  | DUBOX HDR          |  |
| ltr         | ecn no         | dr       | date     | tolerances unless otherwise specified |  | mm               |  | title              |  |
| V           | F08-0147       | YOY      | 08.04.14 | .X ±0.3                               |  | mm               |  | DUBOX,SR,STR       |  |
| W           | F09-0028       | LMU      | 09.03.11 | .XX ±0.15                             |  | scale 4:1        |  | SELECTIVELY LOADED |  |
| X           | B-19285        | AMA      | 14.11.03 | .XXX ±0.05                            |  | FCJ              |  | dwg no             |  |
| Y           | F-21810        | AMA      | 15.06.19 | dr COMPAGNON J 95.03.06               |  | 77773            |  | sheet 1 of 1 size  |  |
| AA          | F-22862        | LMU      | 15.12.22 | engr PHAMVAN JM 95.03.06              |  | A3               |  | type               |  |
|             |                |          |          | chr JMC 95.04.04                      |  | CUSTOMER Drawing |  |                    |  |
| U           | F06-0228       | LMU      | 06.07.11 | appd JMP 95.04.04                     |  |                  |  |                    |  |
| sheet index | revision sheet |          |          |                                       |  |                  |  |                    |  |