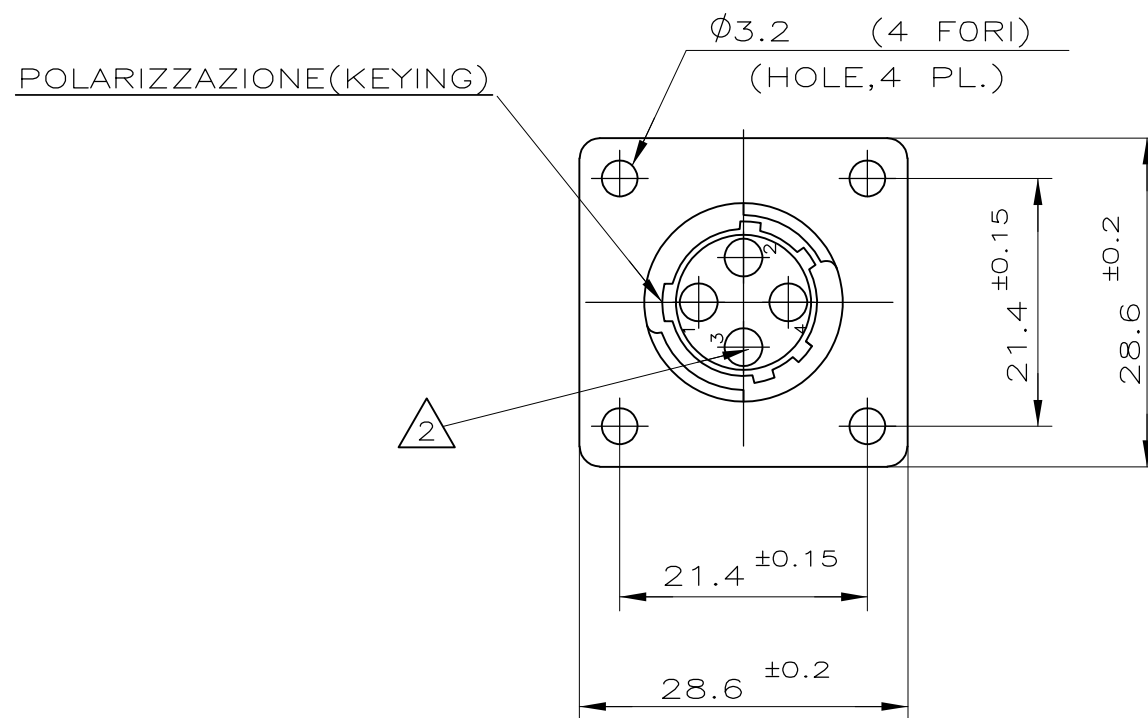
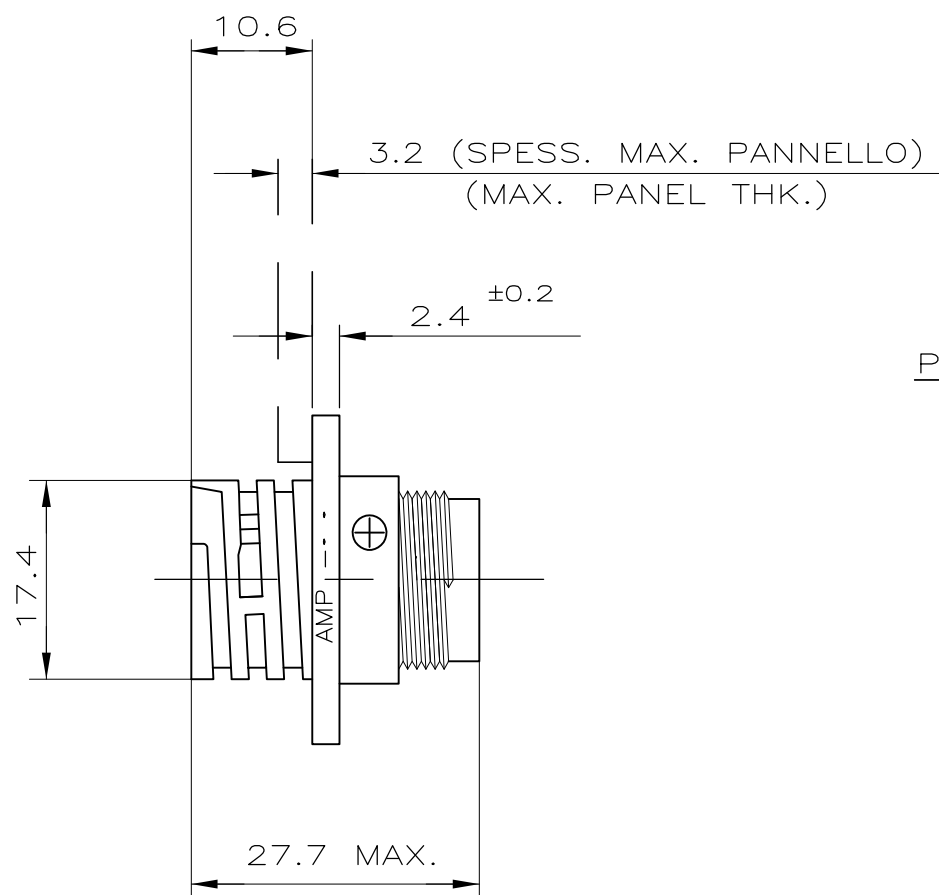


THIS DRAWING IS UNPUBLISHED. —
 RELEASED FOR PUBLICATION —, — .
 © COPYRIGHT — By — ALL RIGHTS RESERVED.

LOC	DIST	REVISIONS					
—	—	P	LTR	DESCRIPTION	DATE	DWN	APVD
			M4	REVISED PER ECO-11-005301	02MAR11	RK	HMR



NOTE(NOTES)

1. MATERIALE(MATL.): TERMOPLASTICO COLORE NERO(THERMOPLASTIC, BLACK COLOR).

2. OGNI CAVITA' E' IDENTIFICATA DAL NUMERO POSTO SIA SUL FRONTE CHE SUL RETRO DEL CONNETTORE. (CONTACT CAVITIES IDENTIFIED BY CHARACTERS) (ON FRONT AND REAR FACES OF CONNECTOR.)

3. QUESTO CONNETTORE E' APPROVATO CON FILE N.E28476 E CERTIFICATO CON FILE N.LR7189A-259 (THIS CONNECTOR IS RECOGNIZED BY FILE N.E28476 AND CERTIFIED BY FILE N.LR7189A-259)

IL DISEGNO INDICA IL P.N. 182921-1 (P.N. 182921-1 AS SHOWN)

THIS DRAWING IS A CONTROLLED DOCUMENT.		DWN C.CORDOLA	22JUN1991	TE Connectivity							
		CHK C.CORDOLA	22JUN1991								
DIMENSIONS: mm		TOLERANCES UNLESS OTHERWISE SPECIFIED: ±0.3		NAME C.P.C. SQUARE FLANGE RECEPTACLE FOR SOCKET CONTACTS, SIZE 11-4, REV. SEX							
		0 PLC ± -		PRODUCT SPEC							
		1 PLC ± -		APPLICATION SPEC							
MATERIAL		2 PLC ± -		SIZE		CAGE CODE		DRAWING NO		RESTRICTED TO	
		3 PLC ± -		A3		00779		C-182921		-	
		4 PLC ± -		CUSTOMER DRAWING		SCALE		SHEET		REV	
		ANGLES ± 2'				-		1 OF 1		M4	