

PRODUCT NUMBER

87610-YXXLF

RoHS COMPATIBLE, SEE NOTE 7

PLATING

2 = 0.76µm GOLD/GXT  
(PdNi WITH GOLD FLASH) ON CONTACT AREA  
2µm MIN MATTE TIN ON TAIL

UNDERPLATE : 1.27µm Ni MIN

NOTES:

- 1 - HOUSING MAT'L : GLASS FILLED THERMOPLASTIC. UL94V-0 COLOR: BLUE
- 2 - PIN MATERIAL : PHOSPHOR BRONZE
- 3 - PRODUCT PACKAGED IN TUBES.
- 4 - TO DETERMINE DIMENSIONS :  
N = NUMBER OF POSITIONS PER ROW  
EXAMPLE : 8 POS N x 2.54 = 20.32mm

NO RIGHT POLARIZATION FOR POS 04, 06, 08.

5 - NO LEFT POLARIZATION FOR POS 04, 06, 08, 14.

6 - RETENTION LEGS IN THE CENTER OF THE CONNECTOR.

7 - RoHS COMPATIBLE PRODUCT SPECIFICATIONS

a - PLATING:

- "LF" MEANS THE PRODUCT IS LEAD-FREE,  
2µm MINIMUM MATTE TIN OVER 1.27µm  
MINIMUM NICKEL UNDERPLATE.

b - MANUFACTURING PROCESS COMPATIBILITY

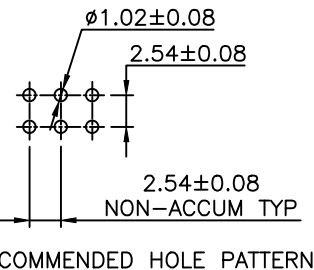
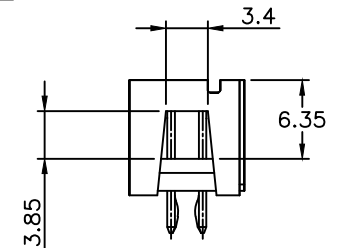
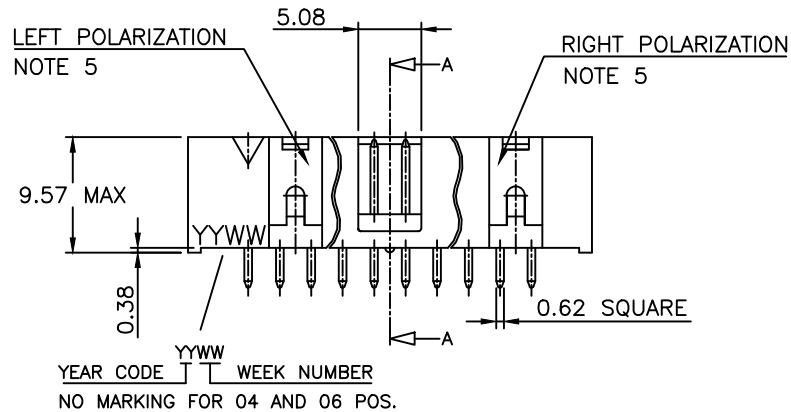
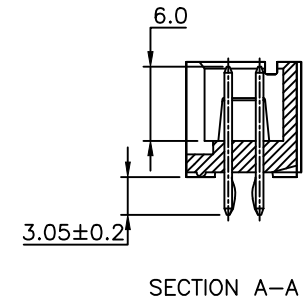
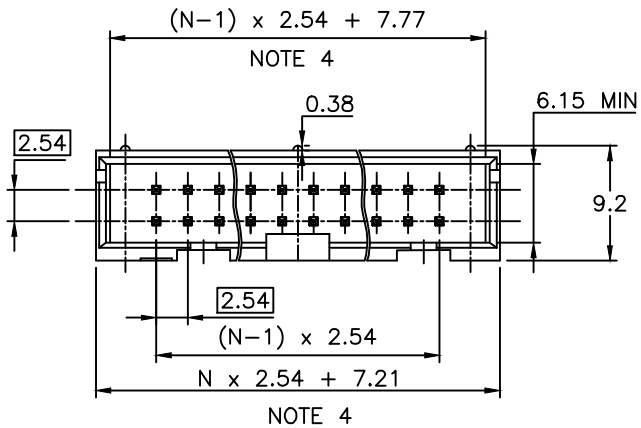
- THE HOUSING WILL WITHSTAND EXPOSURE TO  
260°C ±5°C SOLDER BATH TEMPERATURE FOR  
5 SECONDS IN A WAVE SOLDER APPLICATION  
WITH A 1.6mm MIN THICK CIRCUIT BOARD.

c - LABELLING:

- MEETS PACKAGING SPECS AS PER GS-14-920

d - LEGAL STATEMENT: SEE GS-47-0004

TOTAL NUMBER OF POSITIONS	
06	26
08	34
10	40
14	44
16	50
18	60
20	64



mat'l. code SEE NOTES		surface ISO 1302	tolerance ISO 406 ISO 1101	projection	product family QUICKIE
ltr	ecn no dr date	tolerances unless otherwise specified		mm	title SHR.LP.HEADER STR RETENTION LEGS
K	F07-0198 LMU 07.05.30	angles	.X ±0.3		
L	F08-0146 YOV 08.04.11	Linear	.XX ±0.13	scale 2.5:1	dwg no 87610
M	B-19071 LMU 14.10.15		.XXX ±0.05		
N	B-19094 LMU 14.10.16	dr	DLE 01.01.24	FCJ	sheet 1 of 1 size A3
		engr	JCO 04.12.20		
H	F04-0389 JCO 04.12.22	chr	JCO 04.12.22		
J	F06-0229 LMU 06.07.18	appd	JCO 04.12.22	type CUSTOMER Drawing	
sheet index	revision sheet				