



FCIconnect.com

Copyright FCI.

1

2

List of "SFW\_\_S-2ST(M)AE9LF" customer document

DOCUMENT NO.	LIST
SC-SFWS05	SPEC.
10117344 Sheet2	CAT.NO.TABLE FOR 1mm CONTACT SPACING SMT CONNECTOR (SFW__S-2ST_A__LF)
10117344 Sheet3	1mm SPACING SMT CONNECTOR (SFW__S-2STA__LF)
10117344 Sheet4	1mm SPACING SMT CONNECTOR (SFW__S-2STMA__LF)
10117344 Sheet5	CAT.NO.TABLE FOR PLASTIC TAPE PACKAGED 1mm SPACING SMT CONNECTOR (SFW__S-2ST_AE9LF)
10117344 Sheet6	PLASTIC TAPE PACKAGED 1mm SPACING SMT CONNECTOR (SFW__S-2ST_AE9LF)
10117344 Sheet7	RECOMMENDED CABLE (FPC) (SFW__S-2STA__)

mat'l. code				surface <input checked="" type="checkbox"/> ISO 1302		tolerance <input checked="" type="checkbox"/> ISO 406 <input type="checkbox"/> ISO 1101		projection		product family 58SF		CODE JP							
ltr A		ecn no J11-0043		dr S.W		date 2011-2-14		tolerances unless otherwise specified		title SFW_S Documents Configuration (1mm Spacing connector)									
				angles linear				mm											
				dr <i>S. Nishida</i>		2011-2-14				dwg no 10117344		sheet 1 of 7 size A4							
				enrg <i>S. Nishida</i>		2011-2-14				type Product Customer Drawing									
				chr <i>V. Kamada</i>		2011-2-16													
				appd <i>M. Mura</i>		2011-2-11													
sheet index		revision sheet		A 1		A 2		A 3		A 4		A 5		A 6		A 7		Rev. A	

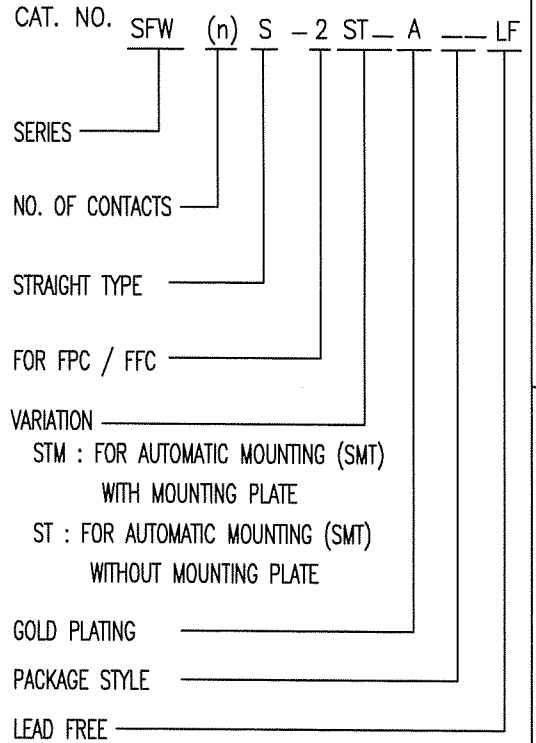
form: A4

1

2

CAT. NO. & DIMENSIONS

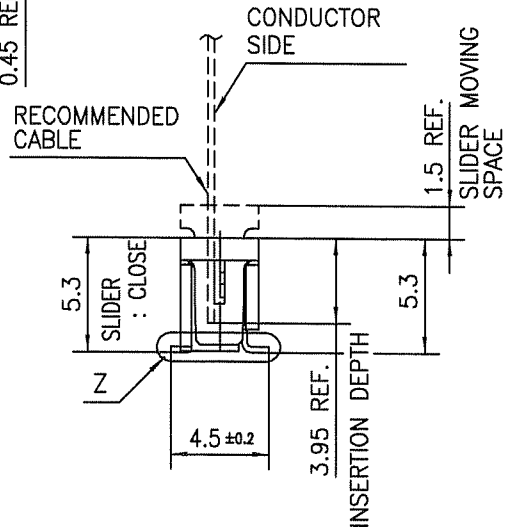
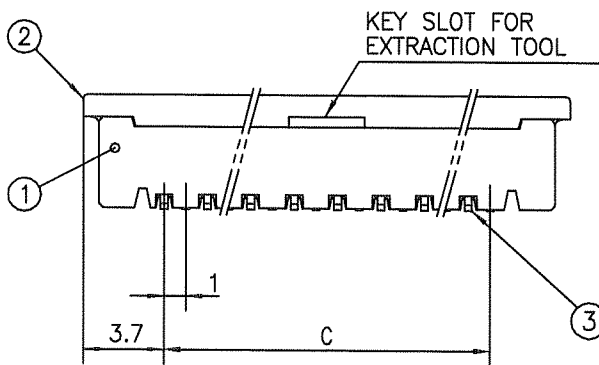
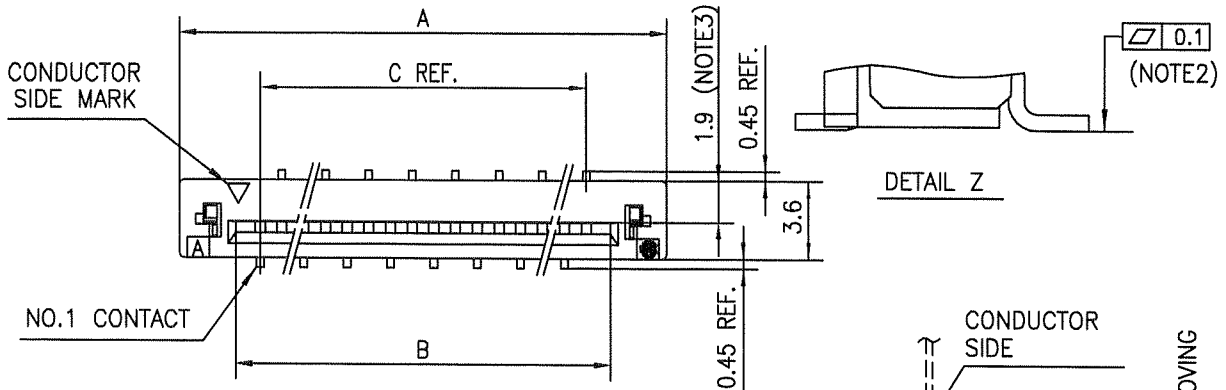
NOTE3	NO. OF CONTACTS (n)	CAT. NO.	DIMENSIONS (NOTE2)		
			A ±0.2	B ±0.2	C ±0.2
	4	SFW4S-2ST_A_LF	10.4	5.24	3
	5	SFW5S-2ST_A_LF	11.4	6.24	4
	6	SFW6S-2ST_A_LF	12.4	7.24	5
*	7	SFW7S-2ST_A_LF	13.4	8.24	6
	8	SFW8S-2ST_A_LF	14.4	9.24	7
*	9	SFW9S-2ST_A_LF	15.4	10.24	8
	10	SFW10S-2ST_A_LF	16.4	11.24	9
	11	SFW11S-2ST_A_LF	17.4	12.24	10
*	12	SFW12S-2ST_A_LF	18.4	13.24	11
	13	SFW13S-2ST_A_LF	19.4	14.24	12
	14	SFW14S-2ST_A_LF	20.4	15.24	13
	15	SFW15S-2ST_A_LF	21.4	16.24	14
	16	SFW16S-2ST_A_LF	22.4	17.24	15
	17	SFW17S-2ST_A_LF	23.4	18.24	16
*	18	SFW18S-2ST_A_LF	24.4	19.24	17
*	19	SFW19S-2ST_A_LF	25.4	20.24	18
	20	SFW20S-2ST_A_LF	26.4	21.24	19
*	21	SFW21S-2ST_A_LF	27.4	22.24	20
	22	SFW22S-2ST_A_LF	28.4	23.24	21
	23	SFW23S-2ST_A_LF	29.4	24.24	22
	24	SFW24S-2ST_A_LF	30.4	25.24	23
*	25	SFW25S-2ST_A_LF	31.4	26.24	24
	26	SFW26S-2ST_A_LF	32.4	27.24	25
*	27	SFW27S-2ST_A_LF	33.4	28.24	26
	28	SFW28S-2ST_A_LF	34.4	29.24	27
	29	SFW29S-2ST_A_LF	35.4	30.24	28
	30	SFW30S-2ST_A_LF	36.4	31.24	29
*	31	SFW31S-2ST_A_LF	37.4	32.24	30
*	32	SFW32S-2ST_A_LF	38.4	33.24	31



NOTES

1. THIS PRODUCT IS THE CONNECTOR, DESIGNED TO TERMINATE FPC/FFC AND COPES WITH AUTOMATIC MOUNTING (SMT).
2. SEE PART DRAWINGS FOR DIMENSIONS A.B.C.
3. PLEASE CONSULT US IN CASE OF USING PARTS WITH \* MARK

mat'l. code				surface 58 / ISO 1302 ✓		tolerance ISO 406 / ISO 1101		projection		product family 58SF		CODE JP	
ltr				ecn no		dr		date		title		CAT. NO. TABLE FOR 1mm SPACING SMT CONNECTOR (CAT.No.SFW_S-2ST_A_LF)	
A				angles		linear		mm		scale 2X		dwg no 10117344	
sheet index				revision sheet		dr S. M. T. 2011-2-14		enr S. M. T. 2011-2-14		chr V. Kamada 2011-2-14		appd	
form: A4										sheet 2 of 7		size A4	
										type Product Customer Drawing		Rev. A	



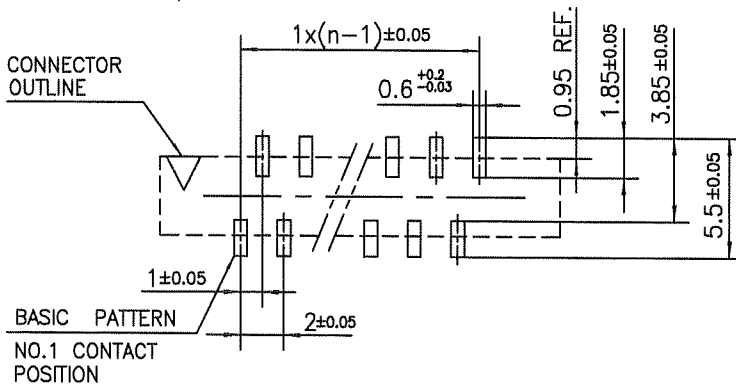
PT. NO.	PARTS NAME	MATERIAL	Q'TY	NOTE
1	HOUSING	GLASS FILLED THERMOPLASTIC RATED. (UL94V-0)	1	COLOR : BROWN
2	SLIDER	(UL94V-0)	1	COLOR : BLACK
3	CONTACT	PHOSPHOR BRONZE	n	PLATING : GOLD PLATING

n : NO. OF CONTACTS

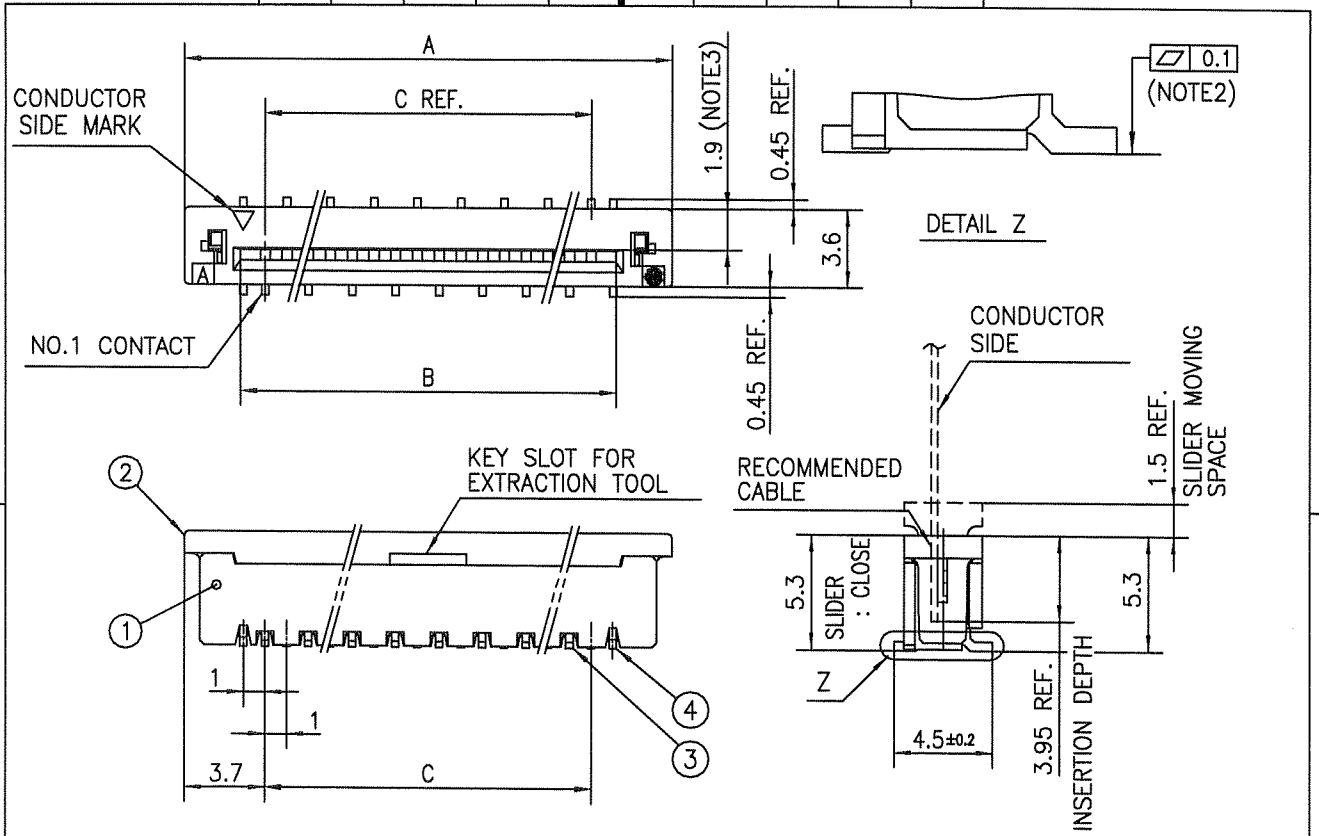
NOTES

- THIS PRODUCT IS THE CONNECTOR DESIGNED TO TERMINATE FPC/FFC AND COPES WITH AUTOMATIC MOUNTING (SMT).
- FLATNESS OF CONTACT TERMINAL MUST BE WITHIN TOLERANCE IN Z PORTION DETAILED DRAWING.
- THIS DIMENSION IS SPACE FOR THE NOZZLE OF MOUNTER.
- THIS PRODUCT MEETS EUROPEAN UNION DIRECTIVES AND OTHER COUNTRY REGULATIONS AS DESCRIBED IN GS-22-008
- THE HOUSING WILL WITHSTAND EXPOSURE TO 260°C PEAK TEMPERATURE FOR 10 SECONDS IN A REFLOW SOLDERING OVEN.

RECOMMENDED PC BOARD LAYOUT (COMPONENT SIDE)



mat'l. code		surface 58 / ISO 1302		tolerance ISO 406 / ISO 1101		projection		product family 58SF		CODE JP	
ltr		ecn no		dr		date		title		1mm SPACING SURFACE MOUNT FPC/FFC CONNECTOR (CAT.No.SFW__S-2STA_LF)	
A								mm		scale X	
sheet index		revision sheet		dr		engr		dwg no		sheet 3 of 7 size	
				S. M. Hata		2011-2-14		10117344		A4	
				S. M. Hata		2011-2-14		type		Product Customer Drawing	
				Y. Kamada		2011-2-14					
				M. M. Hata		Feb/11					
										Rev. A	



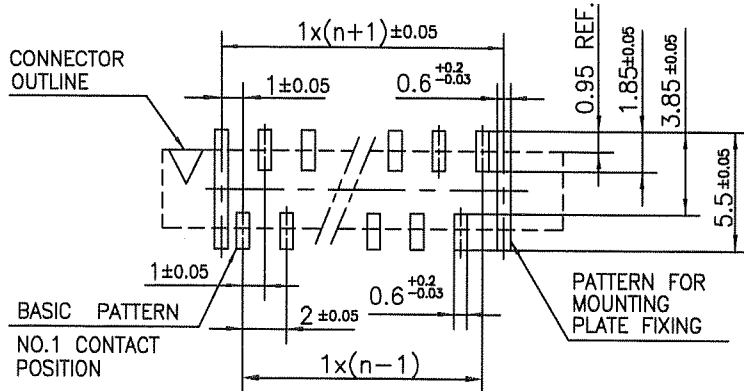
PT. NO.	PARTS NAME	MATERIAL	Q'TY	NOTE
1	HOUSING	GLASS FILLED THERMOPLASTIC RATED. (UL94V-0)	1	COLOR : BROWN
2	SLIDER		1	COLOR : BLACK
3	CONTACT	PHOSPHOR BRONZE	n	PLATING : GOLD PLATING
4	MOUNTING PLATE	BRASS	2	PLATING : Sn Ni UNDER PLATED

n : NO. OF CONTACTS

NOTES

1. THIS PRODUCT IS THE CONNECTOR DESIGNED TO TERMINATE FPC/FFC AND COPES WITH AUTOMATIC MOUNTING (SMT).
2. FLATNESS OF CONTACT TERMINAL AND MOUNTING PLATE MUST BE WITHIN TOLERANCE IN Z PORTION DETAILED DRAWING.
3. THIS DIMENSION IS SPACE FOR THE NOZZLE OF MOUNTER.
4. THIS PRODUCT MEETS EUROPEAN UNION DIRECTIVES AND OTHER COUNTRY REGULATIONS AS DESCRIBED IN GS-22-008
5. THE HOUSING WILL WITHSTAND EXPOSURE TO 260°C PEAK TEMPERATURE FOR 10 SECONDS IN A REFLOW SOLDERING OVEN.

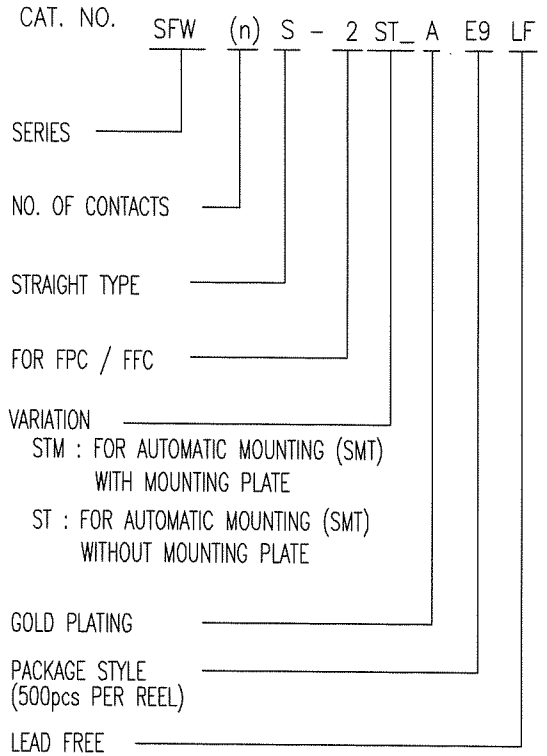
RECOMMENDED PC BOARD LAYOUT  
(COMPONENT SIDE)



mat'l. code				surface 58 / tolerance ISO 1302 ✓ ISO 406 ISO 1101		projection		product family 58SF		CODE JP	
ltr ecn no dr date				tolerances unless otherwise specified		mm		title 1mm SPACING SURFACE MOUNT FPC/FFC CONNECTOR (CAT.No.SFW__S-2STMA__LF)			
A				angles linear ±0.2		mm		dwg no sheet 4 of 7 size 10117344 A4			
				dr S. Nishida 2011-2-14		scale X		type Product Customer Drawing			
				enr S. Nishida 2011-2-14		FCI		Rev. A			
				chr Y. Sameda 2011-2-16							
				appd M. Kern Feb 14/11							
sheet index		revision sheet									

CAT. NO. & DIMENSIONS

(NOTE4)	NO. OF CONTACTS (n)	CAT. NO. (NOTE2)	DIMENSIONS (NOTE3)		
			D MAX.	E ± 0.3	F ± 0.1
	4	SFW4S-2ST_AE9LF	30.4	24	—
	5	SFW5S-2ST_AE9LF	30.4	24	—
	6	SFW6S-2ST_AE9LF	30.4	24	—
*	7	SFW7S-2ST_AE9LF	30.4	24	—
	8	SFW8S-2ST_AE9LF	30.4	24	—
*	9	SFW9S-2ST_AE9LF	30.4	24	—
	10	SFW10S-2ST_AE9LF	30.4	24	—
	11	SFW11S-2ST_AE9LF	30.4	24	—
*	12	SFW12S-2ST_AE9LF	38.4	32	28.4
	13	SFW13S-2ST_AE9LF	38.4	32	28.4
	14	SFW14S-2ST_AE9LF	38.4	32	28.4
	15	SFW15S-2ST_AE9LF	38.4	32	28.4
	16	SFW16S-2ST_AE9LF	50.4	44	40.4
	17	SFW17S-2ST_AE9LF	50.4	44	40.4
*	18	SFW18S-2ST_AE9LF	50.4	44	40.4
*	19	SFW19S-2ST_AE9LF	50.4	44	40.4
	20	SFW20S-2ST_AE9LF	50.4	44	40.4
*	21	SFW21S-2ST_AE9LF	50.4	44	40.4
	22	SFW22S-2ST_AE9LF	50.4	44	40.4
	23	SFW23S-2ST_AE9LF	50.4	44	40.4
	24	SFW24S-2ST_AE9LF	50.4	44	40.4
*	25	SFW25S-2ST_AE9LF	50.4	44	40.4
	26	SFW26S-2ST_AE9LF	50.4	44	40.4
*	27	SFW27S-2ST_AE9LF	62.4	56	52.4
	28	SFW28S-2ST_AE9LF	62.4	56	52.4
	29	SFW29S-2ST_AE9LF	62.4	56	52.4
	30	SFW30S-2ST_AE9LF	62.4	56	52.4
*	31	SFW31S-2ST_AE9LF	62.4	56	52.4
*	32	SFW32S-2ST_AE9LF	62.4	56	52.4



NOTES

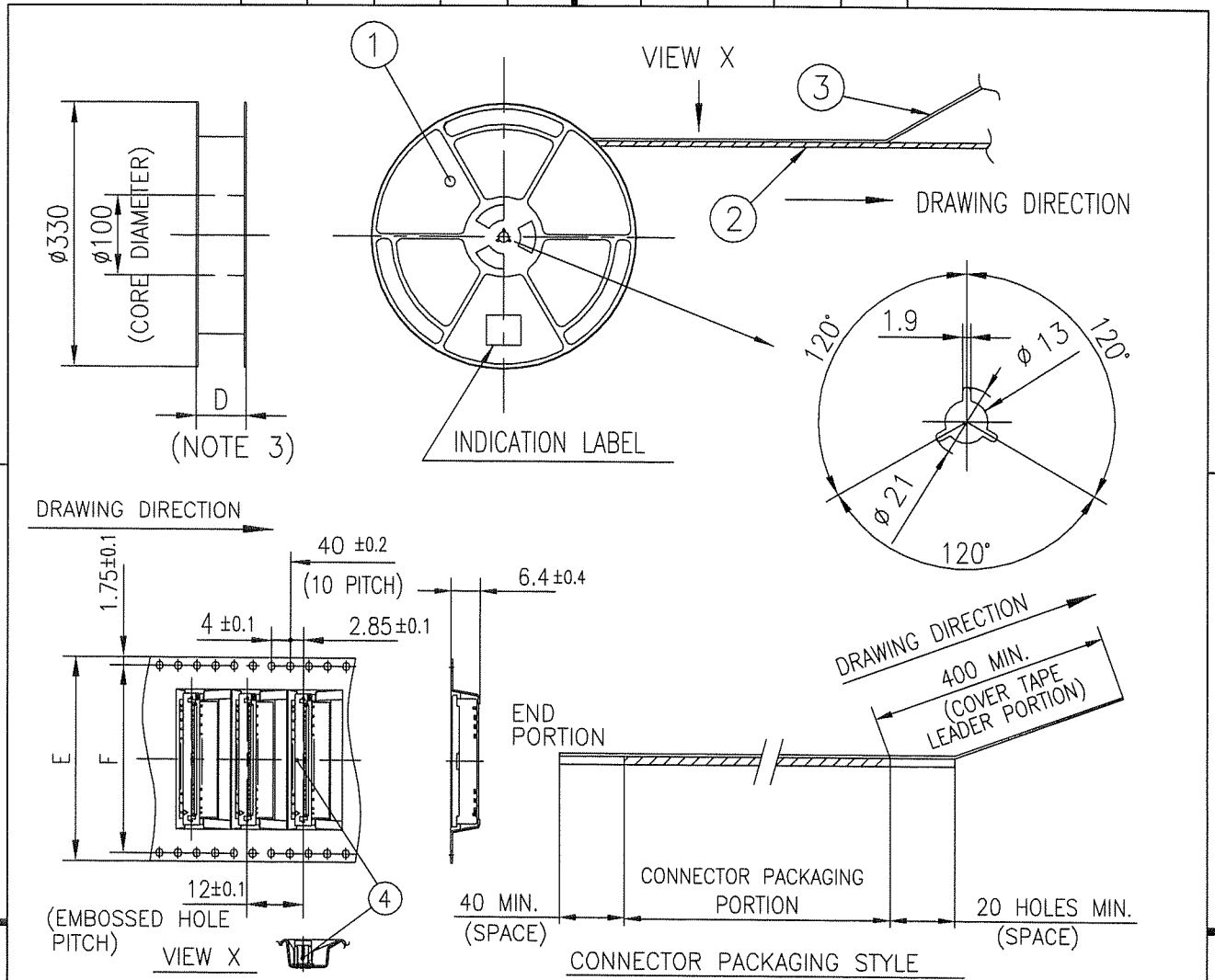
1. THIS PRODUCT IS THE CONNECTOR DESIGNED TO TERMINATE FPC/FFC AND COPE WITH AUTOMATIC MOUNTING (SMT).
2. THIS CATALOG NO. INDICATES PLASTIC TAPE PACKAGED CONNECTOR.
3. SEE PART DRAWINGS FOR DIMENSIONS D~F.
4. PLEASE CONSULT US IN CASE OF USING PARTS WITH \* MARK.



FCIconnect.com

Copyright FCI.

mat'l. code				surface <input checked="" type="checkbox"/> ISO 1302 <input checked="" type="checkbox"/> tolerance ISO 406 ISO 1101		projection		product family 58SF		CODE JP			
ltr		ecn no		dr		date		tolerances unless otherwise specified		title			
A								angles linear		CAT NO. TABLE FOR PLASTIC TAPE PACKAGED 1mm SPACING SMT CONN. (Cat. No. SFW__S-2ST_AE9LF)			
								mm		scale X			
				dr		2011-2-14		FCI		sheet 5 of 7 size			
				enrg		2011-2-14				10117344		A4	
				chr		2011-2-14				type Product Customer Drawing			
				appd		Feb 14/11							
sheet index		revision sheet								Rev. A			



PT. NO.	PARTS NAME	CAT. NO.	MATERIAL	Q'TY	NOTE
1	REEL	_____	POLYSTYRENE	1	COLOR : WHITE or BLACK
2	PLASTIC (EMBOSSSED) TAPE	_____	PET	_____	COLOR : TRANSPARENCY
3	COVER	_____	POLYESTER	_____	COLOR : TRANSPARENCY
4	CONNECTOR	SFW__S-2ST_ALF	SEE ATTACHED DWG.	500	_____

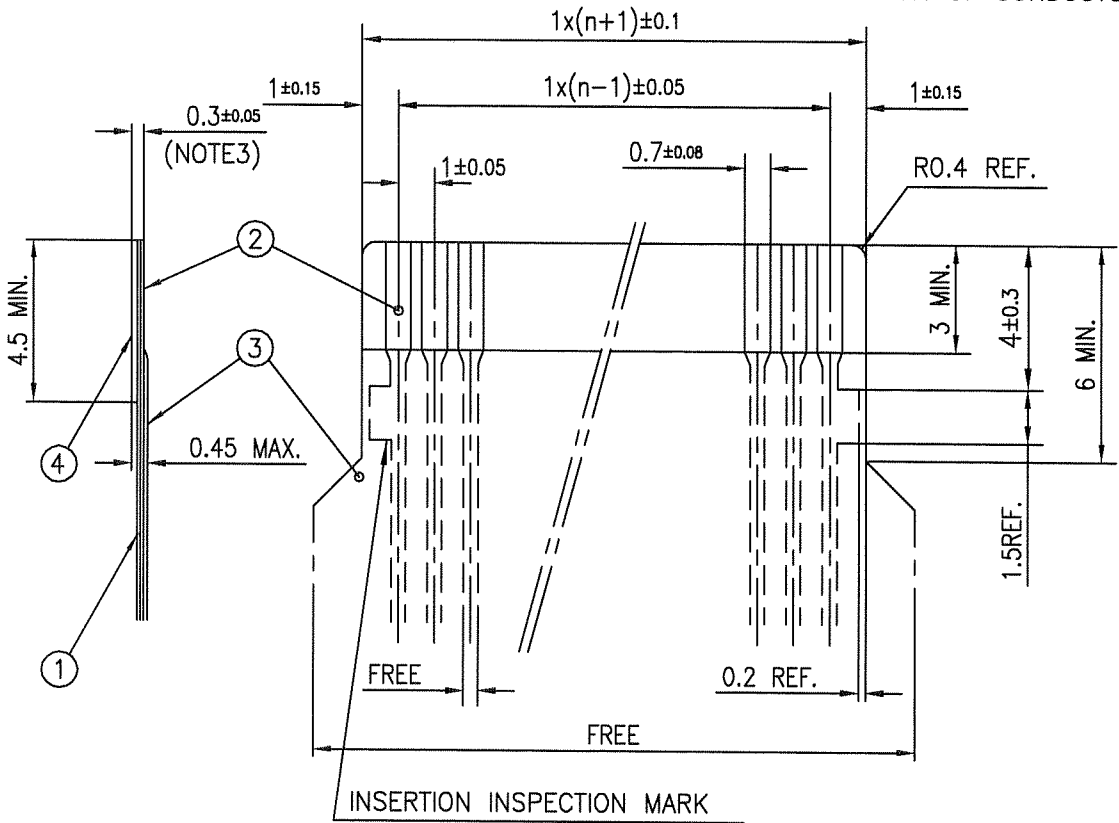
NOTES

1. THIS IS PLASTIC TAPE PACKAGED CONNECTOR USED FOR FPC/FFC AND COPES WITH AUTOMATIC MOUNTING (SMT).
2. SEE JIS C 0806 (PACKING OF ELECTRONIC COMPONENTS ON CONTINUOUS TAPES (SURFACE MOUNTING DEVICES)) FOR SHAPE AND DIMENSIONS OF PLASTIC (EMBOSSSED) TAPE AND REEL.
3. F DIMENSION IS PORTION OF THE CORE.

mat'l. code				surface ISO 1302 <input checked="" type="checkbox"/>	tolerance ISO 406 ISO 1101	projection	product family 58SF	CODE JP
ltr	ecn no	dr	date	tolerances unless otherwise specified			title	
A				angles linear ±5	PLASTIC TAPE PACKAGED 1mm SPACING SMT CONNECTOR (Cat. No. SFW__S-2ST_AE9LF)			
				±5'		scale $\times$	dwg no sheet 6 of 7 size	
				dr	S. H. Taha 2011-2-14		10117344 A4	
				enrg	S. H. Taha 2011-2-14		type Product Customer Drawing	
				chr	Z. Zaman 2011-2-14			
				appd	M. A. M. 2011-2-14			
sheet index	revision sheet							Rev. A

RECOMMENDED CABLE (FPC)

n : NO. OF CONDUCTORS



PT. NO.	DESCRIPTION	MATERIAL	THICKNESS (um)
1	BASE FILM	POLYIMIDE OR POLYESTER OR EQUIVALENT	25
2	CONDUCTOR	COPPER FOIL(GOLD PLATING)	35
3	OVERLAY	POLYIMIDE OR POLYESTER OR EQUIVALENT	—
4	SUPPORTING TAPE	POLYESTER OR POLYIMIDE OR EQUIVALENT	188

NOTES

1. NO BURR AT EACH PORTION.
2. NO PEELING IN COMMON USE.
3. TOTAL THICKNESS LIMIT OF EACH MATERIAL (INCLUDING ADHESIVE AGENT) IS SPECIFIED.

mat'l. code				surface 58 / ISO 1302 ✓		tolerance ISO 406 / ISO 1101		projection		product family 58SF		CODE JP	
ltr				ecn no		dr		date		tolerances unless otherwise specified		title	
A										RECOMMENDED CABLE		(CAT.No.SFW__S-2STA__)	
				angles		linear		mm		scale		X	
				dr		S. Nishida		2011-2-14		FCJ		dwg no sheet 7 of 7 size	
				enrg		S. Nishida		2011-2-14				10117344 A4	
				chr		Y. Kamada		2011-2-14					
				appd		M. Kimura		Feb/14/11					
sheet index		revision sheet								type Product Customer Drawing		Rev. A	