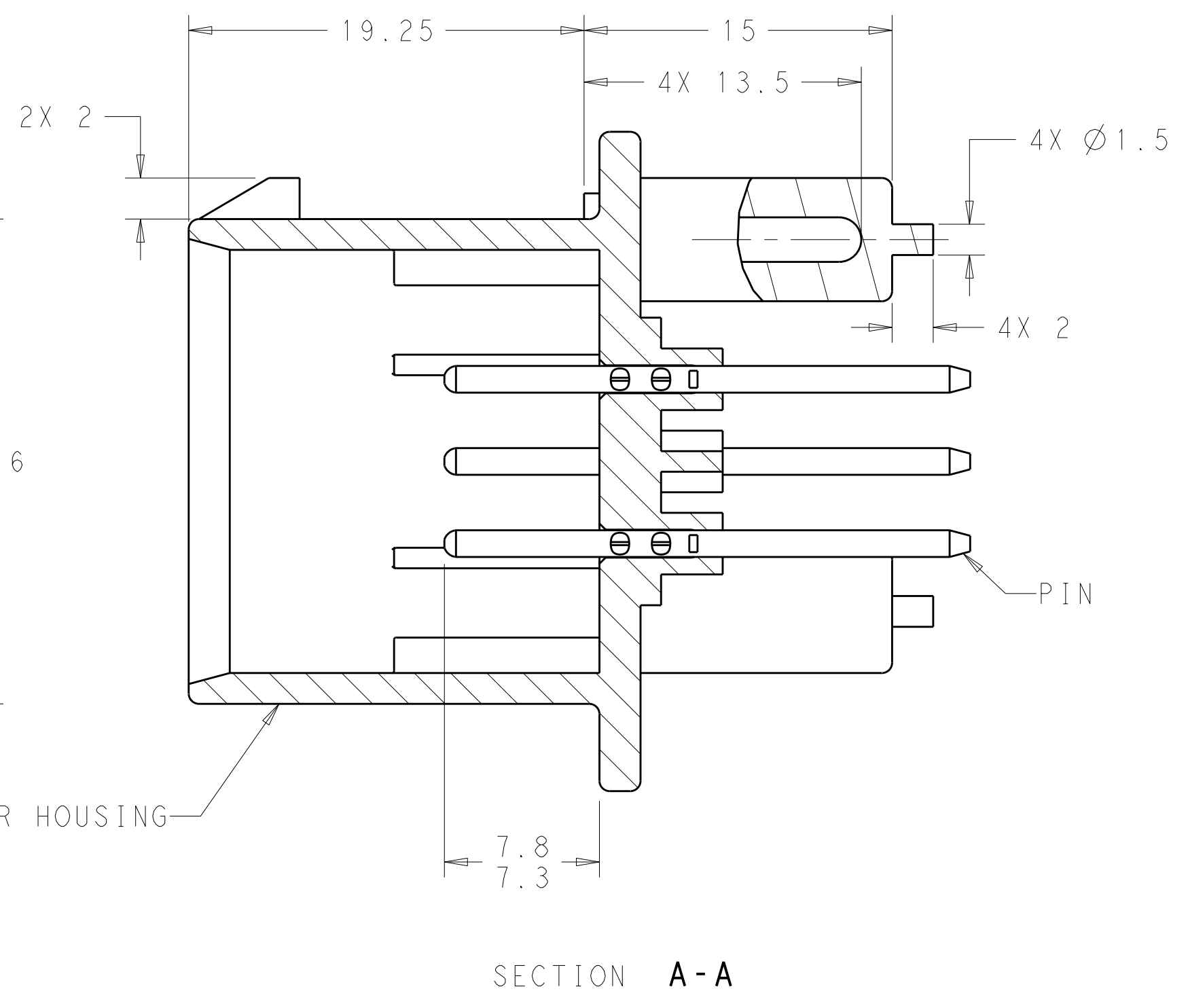
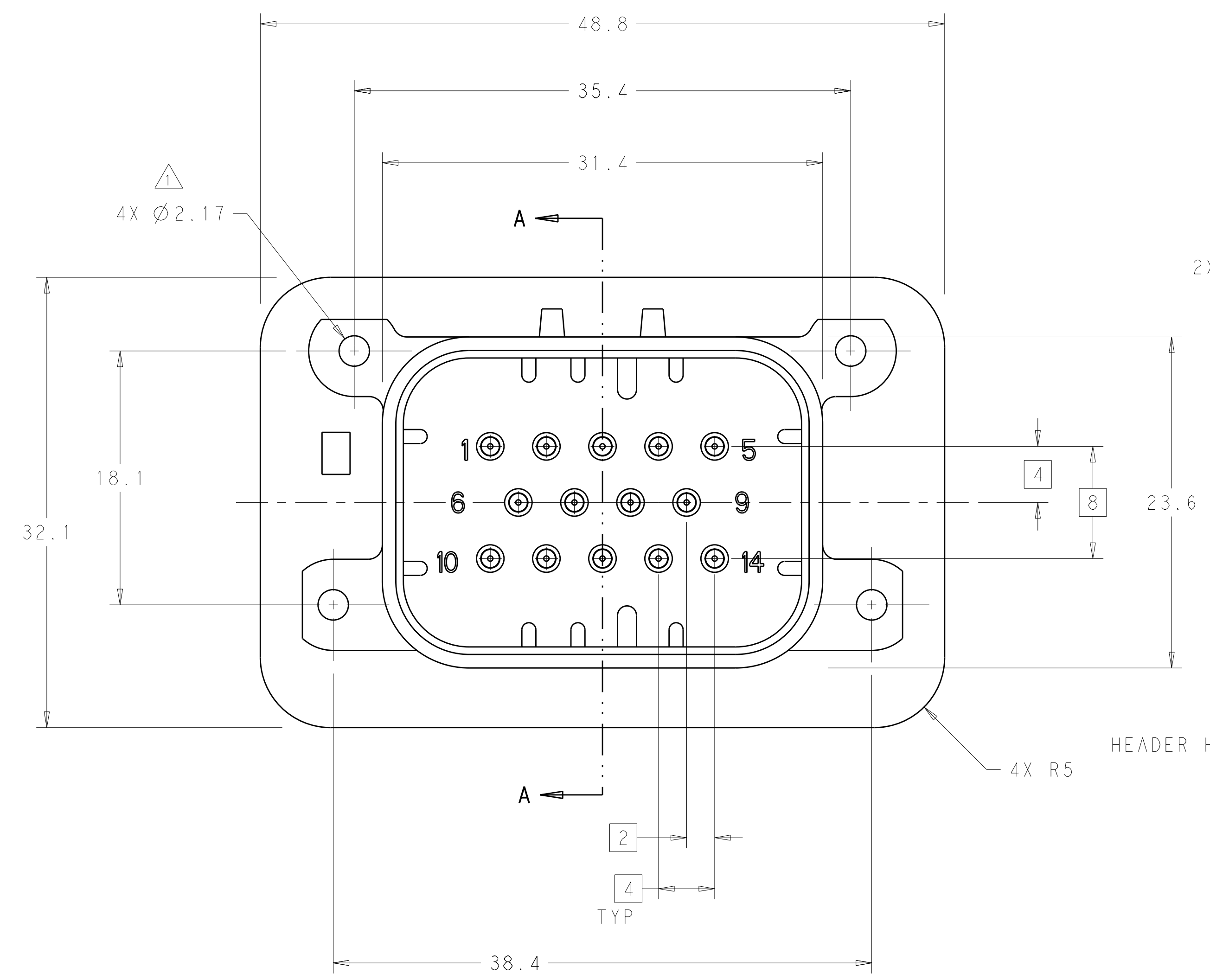
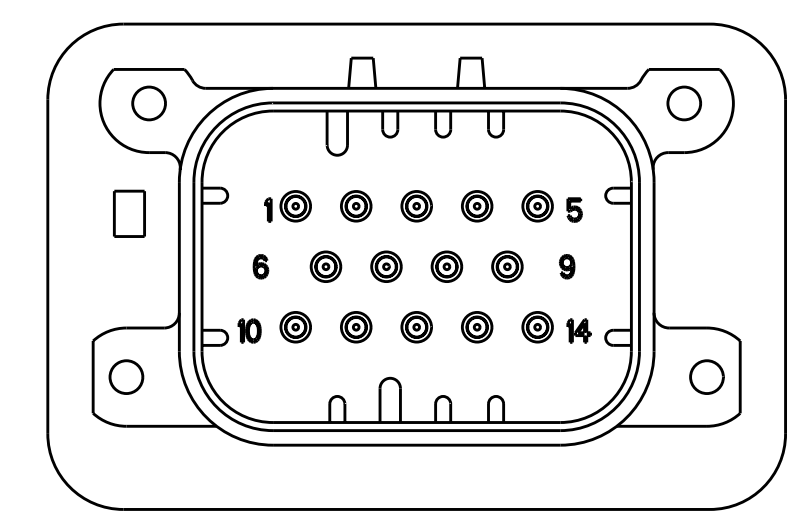
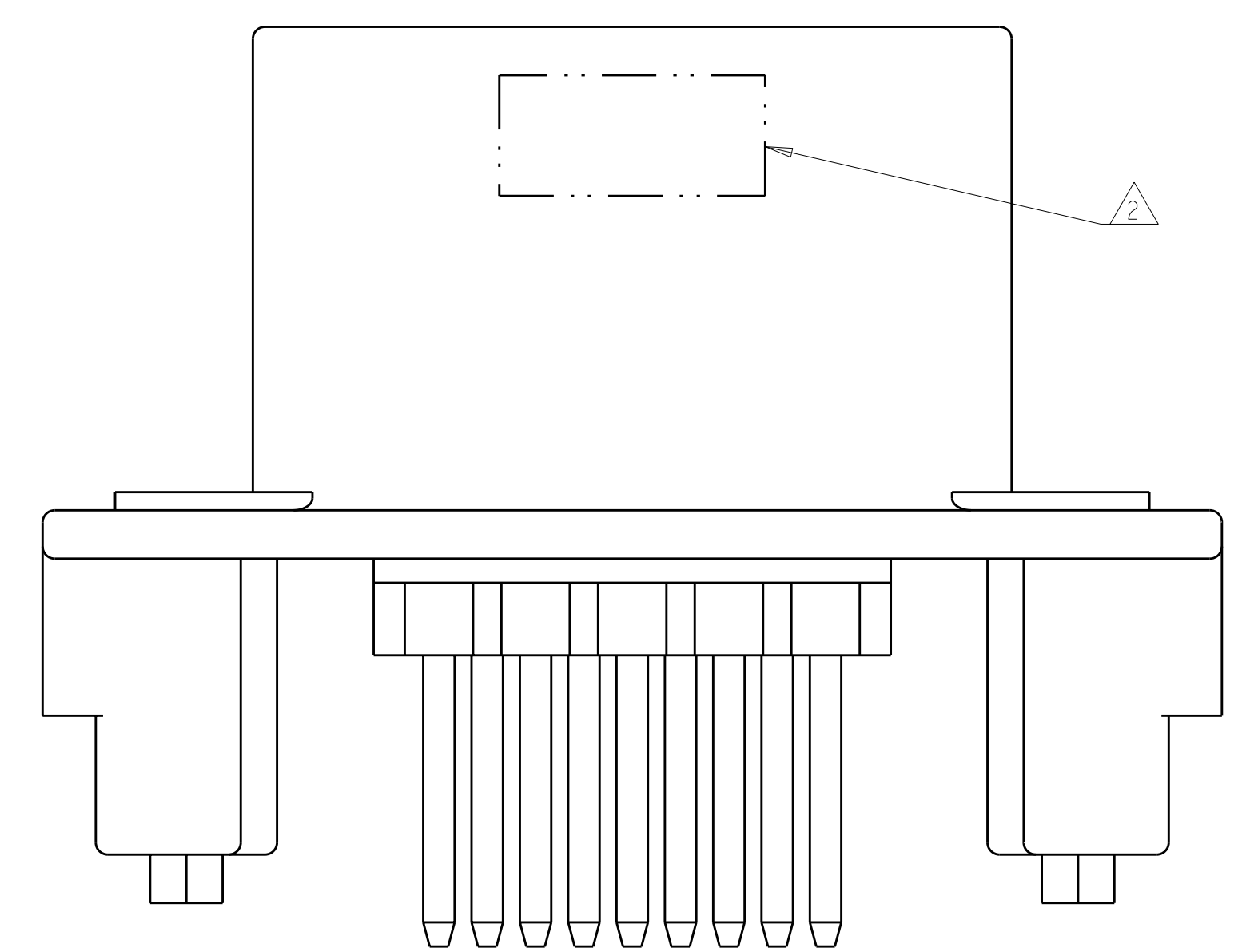


LOC	DIST	REV	DATE	BY	APPD
GE	00	0	27APR2010	DS	DS
		A1	29MAY2012	DD	DS



- 1 ACCEPTS #4 SELF TAPPING THREAD FORMING SCREWS OR METRIC EQUIVALENT. DRIVE TO 0.6 N-m MAX
- 2 DATE CODE TO BE BRANDED IN THIS LOCATION PER TE SPEC 102-60. USE 5 DIGIT CODE: FIRST 2 DIGITS = YEAR, SECOND 2 DIGITS = WEEK, LAST DIGIT = DAY.
- 3 MATERIALS: HEADER HOUSING - GLASS FILLED PBT  
PINS - TIN OR GOLD PLATED BRASS
- 4 HOUSING COLORS ARE MECHANICALLY KEYPED TO MATE ONLY WITH IDENTICALLY COLORED PLUG ASSEMBLIES.
- 5. HEADER MATES TO PLUG ASSEMBLY 776273 WHICH USES REELED TERMINAL 770520 OR LOOSE PIECE TERMINAL 770854



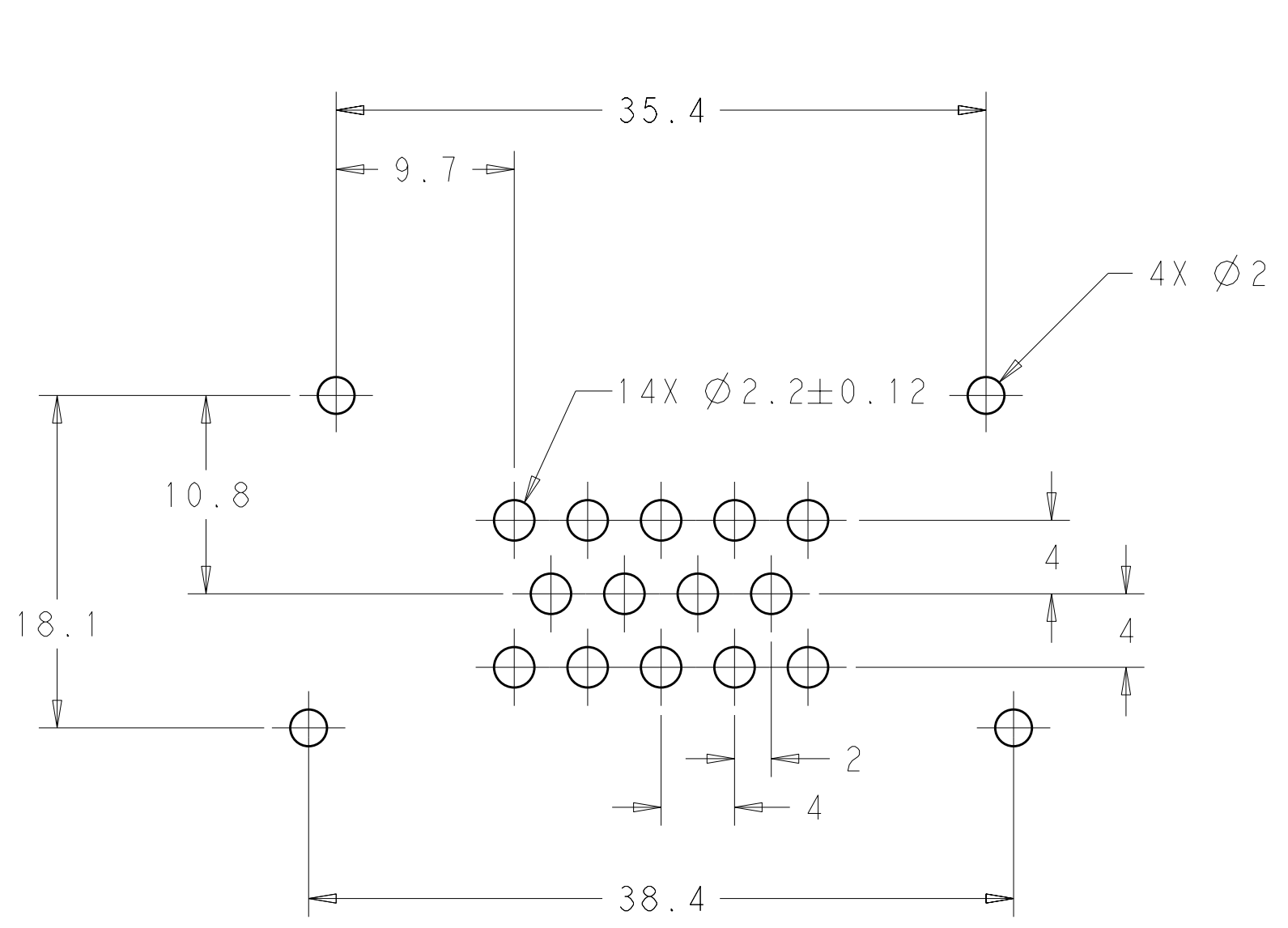
776375-2 AND 1-776375-2  
 KEY LOCATION  
 SCALE 2:1

776375-1 AND 1-776375-1 SHOWN

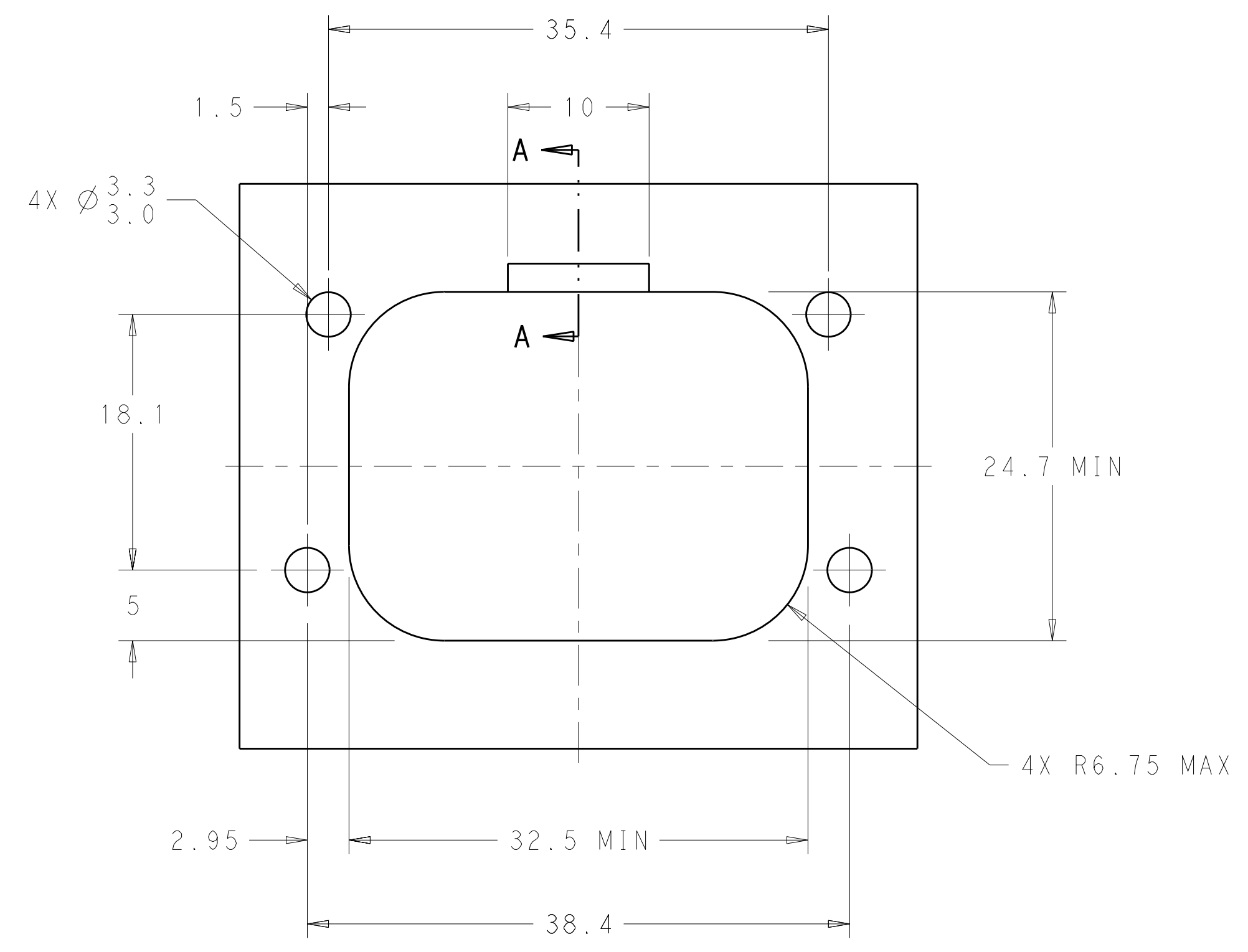
NATURAL	DURAGOLD	1-776375-2
BLACK	DURAGOLD	1-776375-1
NATURAL	TIN	776375-2
BLACK	TIN	776375-1
HEADER COLOR	PLATING	PART NUMBER

THIS DRAWING IS A CONTROLLED DOCUMENT.		DWN: D. STRAUSSER 26APR2012	TE Connectivity	
DIMENSIONS: mm		CHK: D. STRAUSSER 26APR2012	NAME: 108-1329	
TOLERANCES UNLESS OTHERWISE SPECIFIED:		APVD: D. STRAUSSER 26APR2012	PRODUCT SPEC: 114-16016	
0 PLC ± 1 PLC ±0.2 2 PLC ±0.13 3 PLC ± 4 PLC ± ANGLES ±4°		APPLICATION SPEC: 114-16016	SIZE: A1	CAGE CODE: 776375
MATERIAL: 3		FINISH: 3	WEIGHT: -	RESTRICTED TO: -
CUSTOMER DRAWING		SCALE: 2:1	SHEET: 1 OF 2	REV: A1

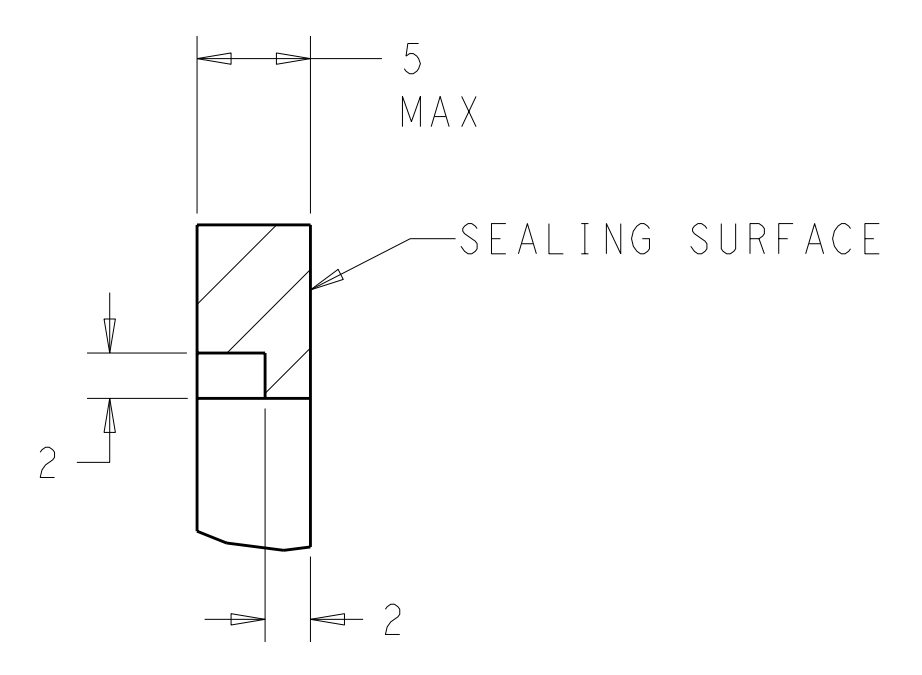
LOC	DIST	REVISIONS					
GE	00	P	LTB	DESCRIPTION	DATE	DWN	APVD
		-	-	SEE SHEET 1	-	-	-



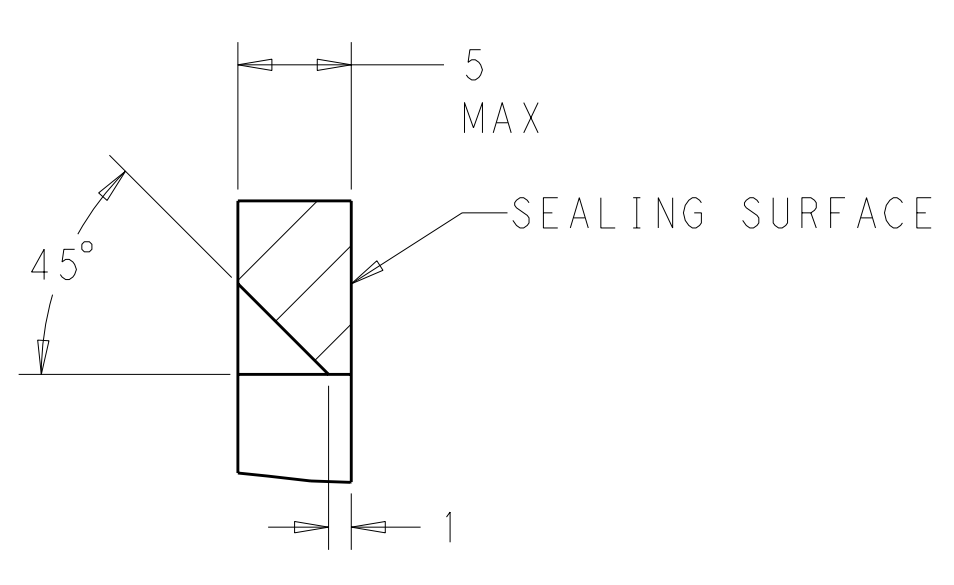
RECOMMENDED P.C. BOARD LAYOUT  
 FOR 1.57 THICK P.C. BOARD



RECOMMENDED MOUNTING HOLE LAYOUT  
 FOR 5.0 MAX THICK PANEL



SECTION A-A  
 OPTIONAL CONSTRUCTION IF PANEL  
 THICKNESS IS GREATER THAN 2.0



SECTION A-A  
 OPTIONAL CONSTRUCTION IF PANEL  
 THICKNESS IS GREATER THAN 2.0

THIS DRAWING IS A CONTROLLED DOCUMENT.		DWN: D. STRAUSSER 26 APR 2012	TE Connectivity
DIMENSIONS: mm		CHK: D. STRAUSSER 26 APR 2012	
TOLERANCES UNLESS OTHERWISE SPECIFIED:		APVD: D. STRAUSSER 26 APR 2012	NAME: 108-1329
0 PLC ± 1 PLC ±0.2 2 PLC ±0.13 3 PLC ± 4 PLC ± ANGLES ±4°		PRODUCT SPEC: 108-1329	APPLICATION SPEC: 114-16016
MATERIAL: -	FINISH: -	WEIGHT: -	SIZE: A100779 C=776375
CUSTOMER DRAWING		SCALE: 2:1	SHEET: 2 OF 2