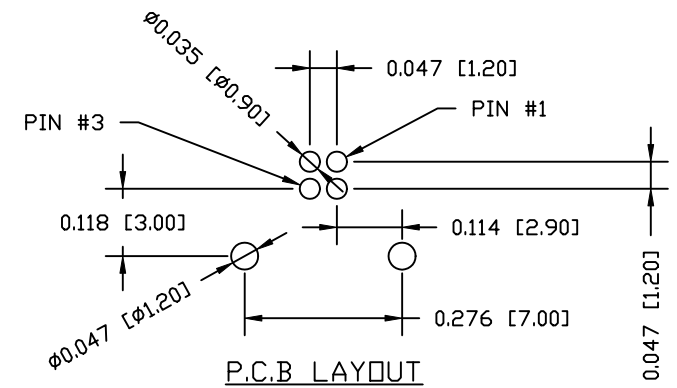


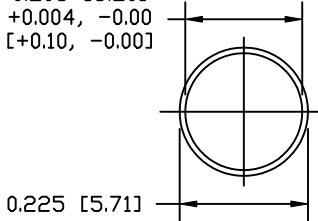
NUT



853-002-113R00Y

1 = GOLD FLASH
4 = 10µ" GOLD

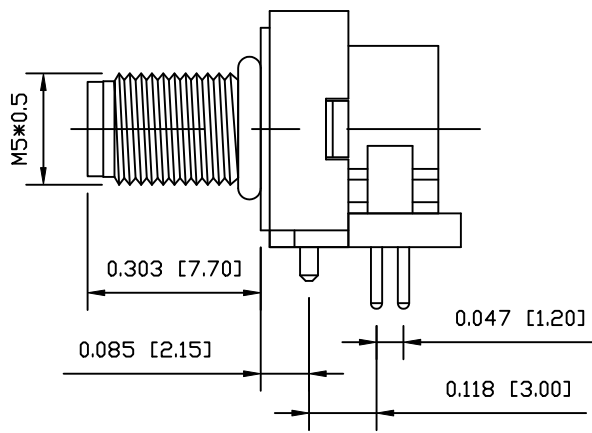
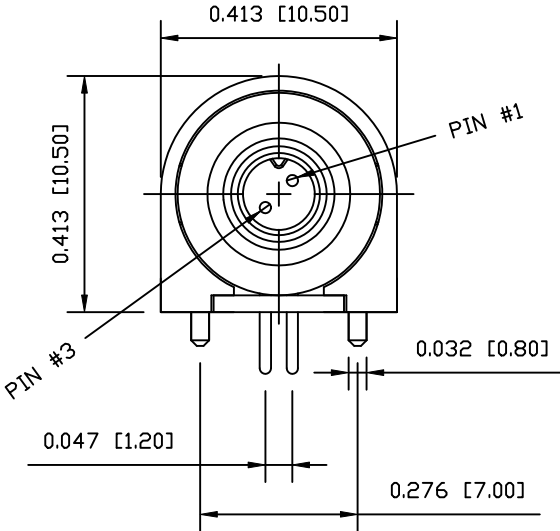
0.205 [5.20]
+0.004, -0.00
[+0.10, -0.00]



0.020 [0.50]

0.125 [3.19]

PANEL CUT-OUT
MAX. PANEL THICKNESS : 0.125"



NOTE:

MATERIAL
HOUSING: PBT UL94V-0, BLACK
CONTACT: BRASS
NUT: BRASS
O-RING: NBR, BLACK
BACK HOUSING: PBT UL94V-0, BLACK
DOWN HOUSING: PBT UL94V-0, BLACK

FINISH
CONTACT: GOLD PLATED
OVER 50µ" NICKEL
NUT: NICKEL PLATED

ELECTRICAL
RATED CURRENT: 1A
RATED VOLTAGE: 60V
INSULATION RESISTANCE: 100 mOhms MIN.
CONTACT RESISTANCE: 10 mOhms MAX.
WATER PROOF: IP67
ENVIRONMENT
OPERATION TEMPERATURE: -40°C TO +85°C
MAX. ASSEMBLY TORQUE: 1.5 in lbs

RoHS COMPLIANT

DO NOT SCALE FROM DRAWING



THESE DRAWINGS AND SPECIFICATIONS ARE THE PROPERTY OF NorComp AND SHALL NOT BE REPRODUCED, COPIED OR USED AS THE BASIS FOR THE MANUFACTURE OR SALE OF APPARATUS WITHOUT WRITTEN PERMISSION.

DRAWN: M. SIGMON
DATE: 03-03-16
CHECKED:
DATE:

NorComp

SCALE: NTS
SHEET 1 OF 1
REV 3
DWG NO. 853-002-113R00Y