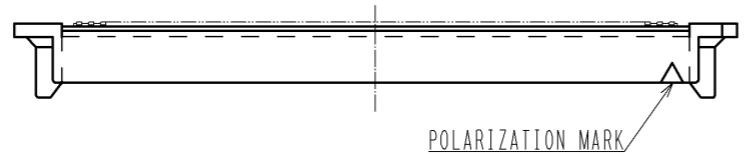
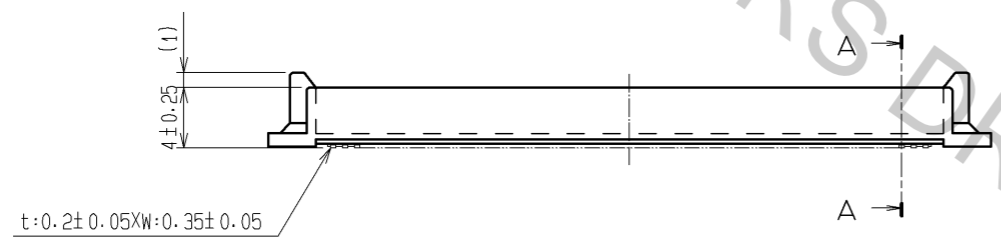
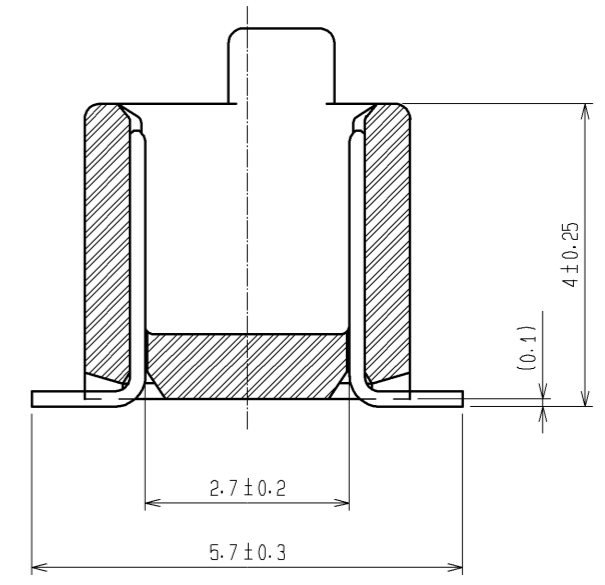
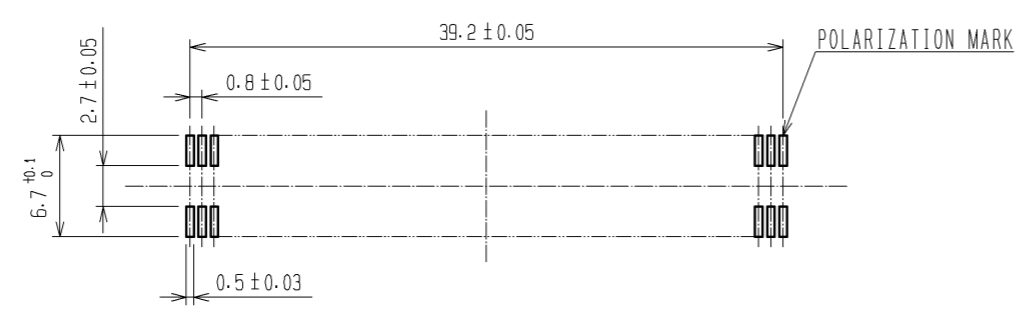


A-A (10:1)



RECOMMENDED LAND PATTERN DIMENSION OF PCB (MOUNTING SIDE)  
(RECOMMENDED METAL MASK THICKNESS  $t=0.15$ )



- NOTES
1. MARK SHOULD BE OPTIONAL.
  2. LEAD CO-PLANARITY SHALL BE 0.1mm MAX.
  3. FOR MODIFICATION, ETC., PREVENTIVE HOLE FOR SINK MARK MAY BE ADDED ACCORDING TO CIRCUMSTANCES.
  4. THE DIMENSIONS IN PARENTHESES ARE FOR REFERENCE.

1	PPS	LIGHT BROWN	UL94V-0	2	PHOSPHOR BRONZE	CONTACT AREA: GOLD 0.1 $\mu$ m min. LEAD AREA: GOLD FLASH UNDER PLATING: NICKEL 1 $\mu$ m min.
NO.	MATERIAL	FINISH . REMARKS		NO.	MATERIAL	FINISH . REMARKS
UNITS		SCALE	COUNT	DESCRIPTION OF REVISIONS		DESIGNED
mm		2 : 1	$\Delta$			CHECKED
<b>HRS</b> HIROSE ELECTRIC CO., LTD.		APPROVED : HS. OKAWA	08.06.26	DRAWING NO. EDC3-071334-25		DATE
		CHECKED : HT. YAMAGUCHI	08.06.25	PART NO. FX6A-100P-0.8SV(71)		
		DESIGNED : SY. KAMIGA	08.06.23	CODE NO. CL576-0208-1-71		
		DRAWN : TP. MATSUMOTO	08.06.18			