

MALE PCB PINS

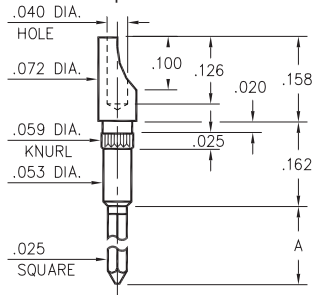
WRAPOST TERMINALS

8301

8301-X-24-XX-00-00-01-0

Press-fit in .057 mounting hole

For wire sizes up to 22 AWG

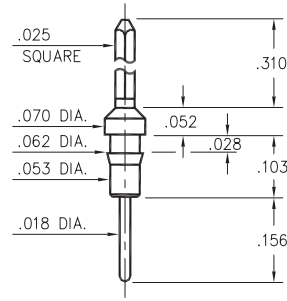


Basic Part Number	# of Wraps	Length A
8301-2	2	.370
8301-3	3	.510

1083

1083-0-05-XX-00-00-01-0

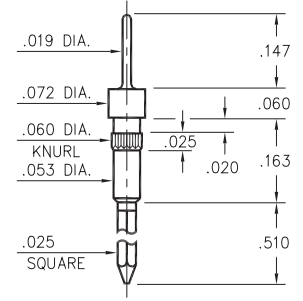
Press-fit in .059 mounting hole



5301

5301-0-05-XX-00-00-01-0

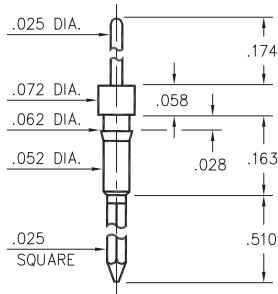
Press-fit in .057 mounting hole



1090

1090-0-05-XX-00-00-01-0

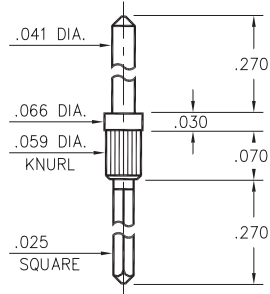
Press-fit in .059 mounting hole



8608

8608-0-05-XX-00-00-01-0

Press-fit in .056 mounting hole



SPECIFICATIONS:

Pin Material: Brass Alloy 360, 1/2 Hard
(Except where noted)

Dimensions: Inches

Tolerances On: Lengths: $\pm .005$
Diameters: $\pm .002$
Angles: $\pm 2^\circ$



ORDER CODE: XXXX - X - XX - XX - 00 - 00 - 01 - 0

BASIC PART # →

← **SPECIFY PIN FINISH:**

- 01** 200 μ " TIN/LEAD OVER NICKEL
- ◆ **80** 200 μ " TIN OVER NICKEL (RoHS)
- ◆ **15** 10 μ " GOLD OVER NICKEL (RoHS)
- ◆ **21** 20 μ " GOLD OVER NICKEL (RoHS)

