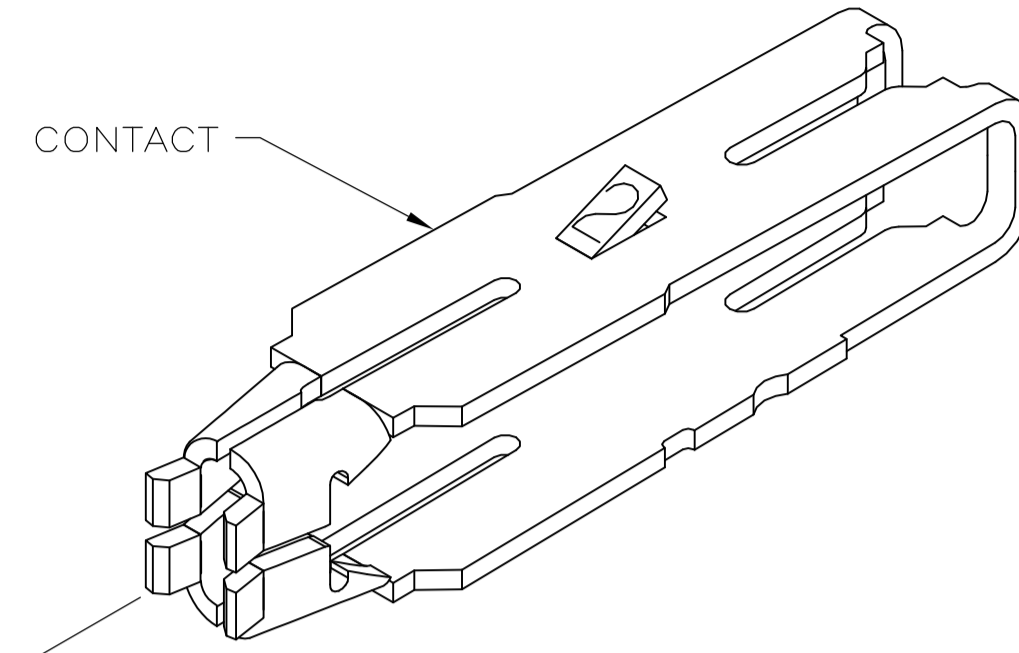
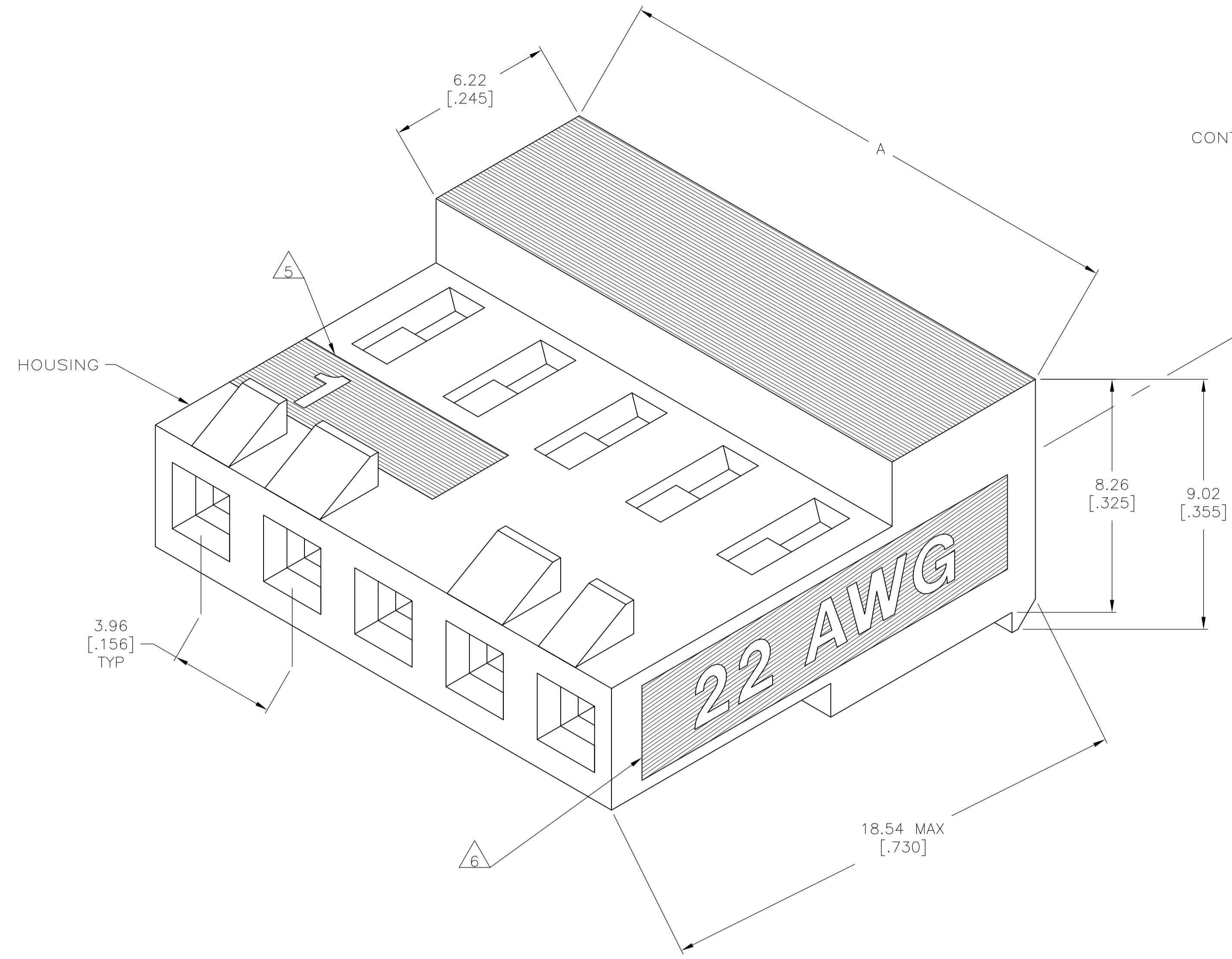
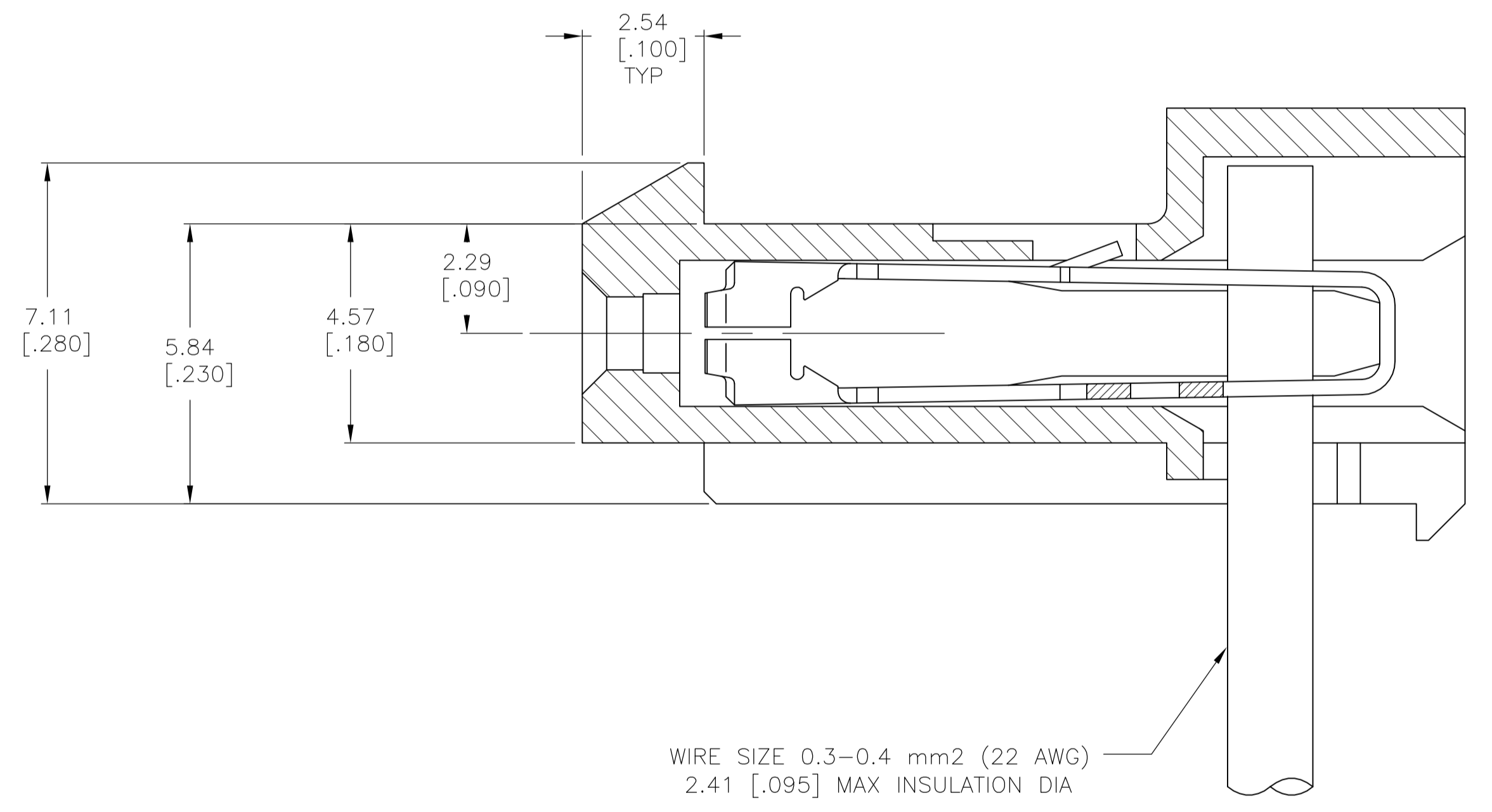


LOC		DIST		REVISIONS			
CM	00	REV	DATE	BY	CHK	APPV	
		D	ECO-07-012895	22JUN07	KW	DB	
		D1	REVISED PER ECO-09-024717	03DEC09	KK	AEG	

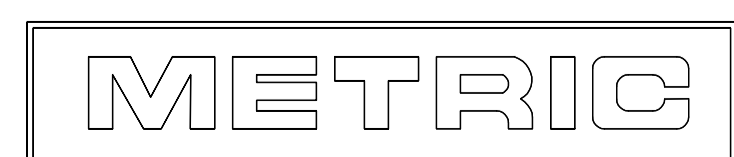


1. OPERATING TEMPERATURE: -55° C TO 105° C.
2. MATERIAL: HOUSING, NYLON 6/6, UL 94V-0, BLACK CONTACT, 0.30 [.012] THICK COPPER ALLOY
3. FINISH: BRIGHT TIN-LEAD PLATE 0.00203-0.00508 [.000080-.000200"] THICK OR MATTE WHISKER MITIGATED TIN 0.00203 [.000080] MIN THICKNESS OVER NICKEL UNDERPLATE.
4. LUBRICATED WITH AMP ANTI-FRETTING LUBRICANT.
5. IDENTIFICATION NUMBER FOR FIRST CIRCUIT.
6. WIRE GAUGE IDENTIFICATION
7. DIMENSIONS IN BRACKETS ARE IN INCHES.
8. CONTACT MUST ACCEPT 1.14±0.03 [.045±.001] SQUARE POST AND REMAINED LOCKED IN POSITION.
9. OBSOLETE PARTS: OBSOLETE CIS STREAMLINING PER D.RENAUD/D.SINISI



TIN	47.55±0.30	[1.872±.012]	12	4-644371-2
TIN	43.59±0.30	[1.716±.012]	11	4-644371-1
TIN	39.62±0.30	[1.560±.012]	10	4-644371-0
TIN	35.66±0.30	[1.404±.012]	9	3-644371-9
TIN	31.70±0.30	[1.248±.012]	8	3-644371-8
TIN	27.74±0.30	[1.092±.012]	7	3-644371-7
TIN	23.77±0.30	[.936±.012]	6	3-644371-6
TIN	19.81±0.30	[.780±.012]	5	3-644371-5
TIN	15.85±0.15	[.624±.006]	4	3-644371-4
TIN	11.89±0.15	[.468±.006]	3	3-644371-3
TIN	7.92±0.15	[.312±.006]	2	3-644371-2
FINISH	A		NO OF CKTS	PART NO

9	SUPERSEDED BY 4-644371-2	TIN-LEAD	47.55±0.30	[1.872±.012]	12	4-644371-2
9	SUPERSEDED BY 4-644371-1	TIN-LEAD	43.59±0.30	[1.716±.012]	11	4-644371-1
9	SUPERSEDED BY 4-644371-0	TIN-LEAD	39.62±0.30	[1.560±.012]	10	4-644371-0
9	SUPERSEDED BY 3-644371-9	TIN-LEAD	35.66±0.30	[1.404±.012]	9	3-644371-9
9	SUPERSEDED BY 3-644371-8	TIN-LEAD	31.70±0.30	[1.248±.012]	8	3-644371-8
9	SUPERSEDED BY 3-644371-7	TIN-LEAD	27.74±0.30	[1.092±.012]	7	3-644371-7
		TIN-LEAD	23.77±0.30	[.936±.012]	6	3-644371-6
		TIN-LEAD	19.81±0.30	[.780±.012]	5	3-644371-5
		TIN-LEAD	15.85±0.15	[.624±.006]	4	3-644371-4
		TIN-LEAD	11.89±0.15	[.468±.006]	3	3-644371-3
		TIN-LEAD	7.92±0.15	[.312±.006]	2	3-644371-2
		FINISH	A		NO OF CKTS	PART NO



THIS DRAWING IS A CONTROLLED DOCUMENT.

DIMENSIONS: mm [INCHES]	TOLERANCES UNLESS OTHERWISE SPECIFIED:	0 PLC ± -	1 PLC ± -	2 PLC ± -	3 PLC ± 0.13[.005]	4 PLC ± -	ANGLES ± -
-------------------------	--	-----------	-----------	-----------	--------------------	-----------	------------

DWN: C. MARTIN 23APR90 CHK: R. SWING 23APR90 APVD: G. MILLER 24APR90 PRODUCT SPEC: 108-1219 APPLICATION SPEC: 114-1048	Tyco Electronics Corporation Harrisburg, Pa 17105-3608 NAME: MTA-156 CONNECTOR ASSEMBLY, QUAD, 22 AWG, WITH LOCKING RAMP SIZE: A1 CAGE CODE: 00779 DRAWING NO: 644371	RESTRICTED TO: - SCALE: 10:1 SHEET: 1 of 1 REV: D1
--	--	---

CUSTOMER DRAWING