

4

3

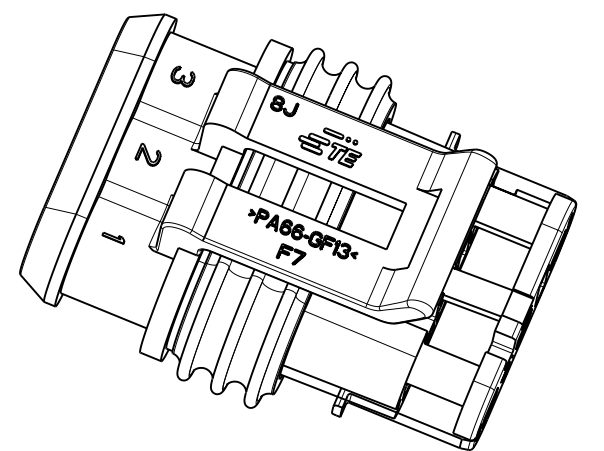
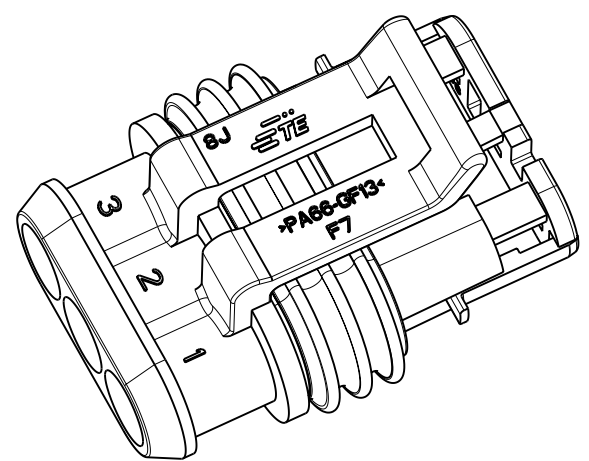
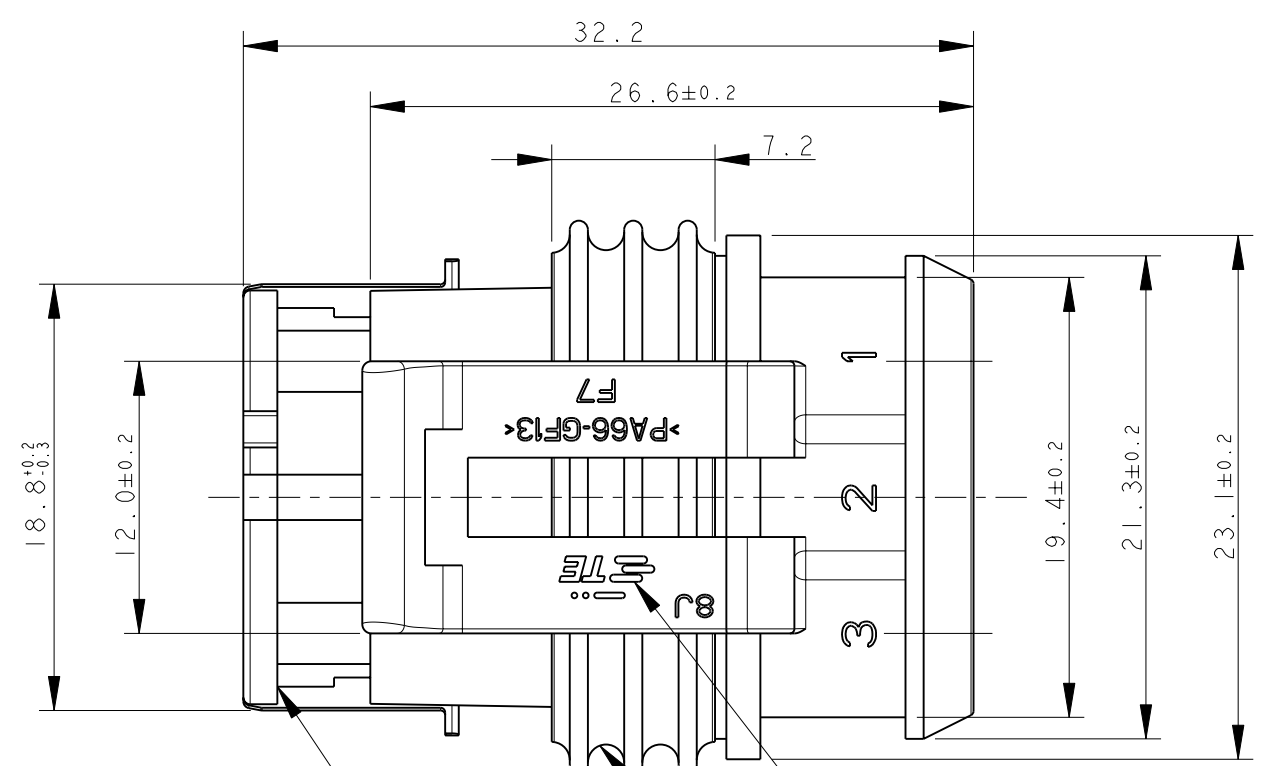
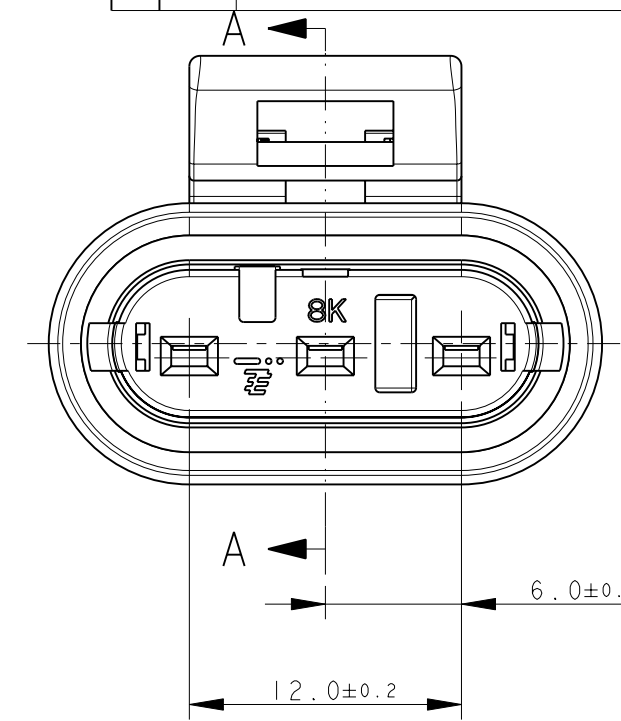
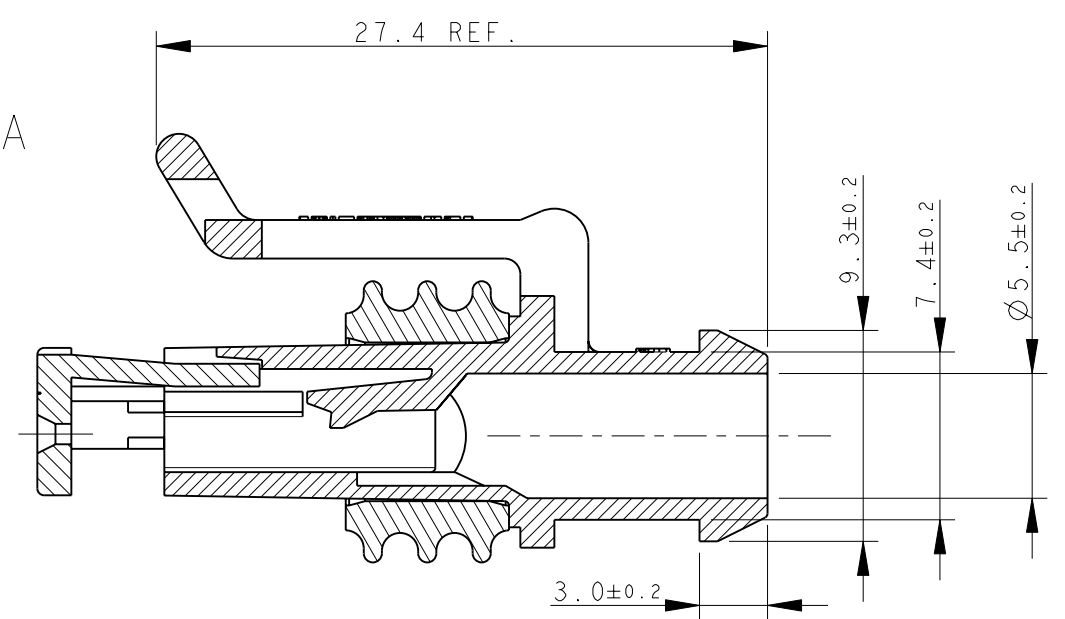
2

1

THIS DRAWING IS UNPUBLISHED. RELEASED FOR PUBLICATION 2011
 © COPYRIGHT 2011 ALL RIGHTS RESERVED.

LOC	DIST	REVISIONS			
P	LTR	DESCRIPTION	DATE	DWN	APVD
		B4	REVISED PER ECO-11-005033	02APR2011	RK HMR
		B5	REVISED BY ECR-11-024280	13DEC2011	M.F. M.G.

SECTION A-A



1) FOR COUNTERPART DETAILS, SEE SHEET 2 OF 2

GRAY	PA66-GF	282087-2
BLACK	PA66-GF	282087-1
FINISH/COLOR	MATERIAL	PART NUMBER

TE CONNECTIVITY TRADE MARK
 (IN ALTERNATIVE: "AMP" LOGO OR "Tyco Electronics" LOGO)

SEALING (SILICONE RUBBER)

PRE-ASSEMBLED SECONDARY LOCK (RED COLOR)

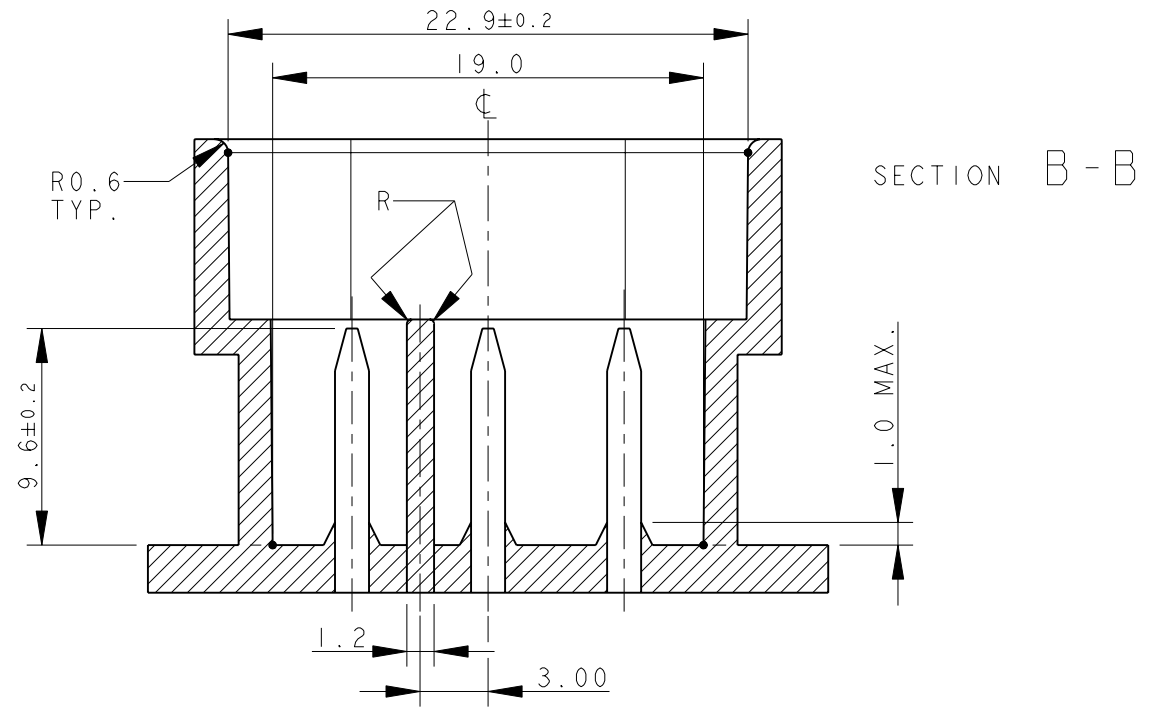
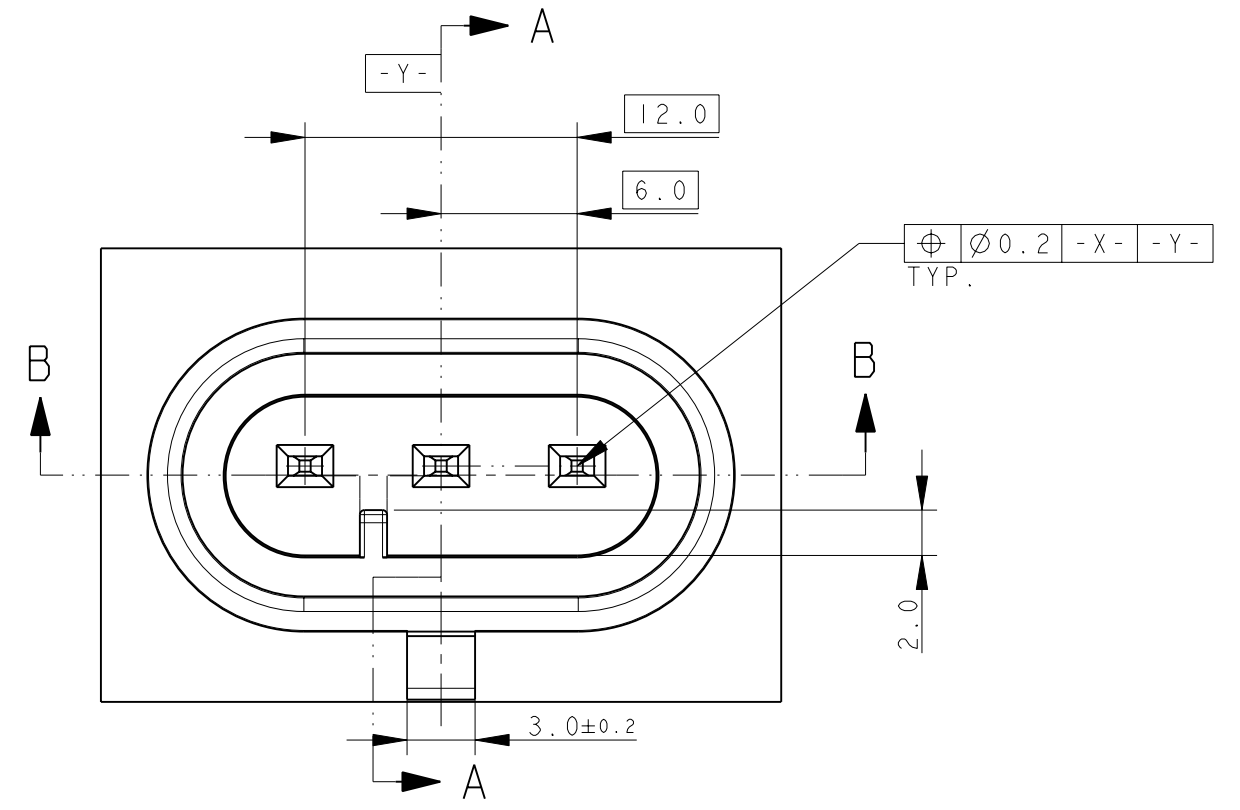
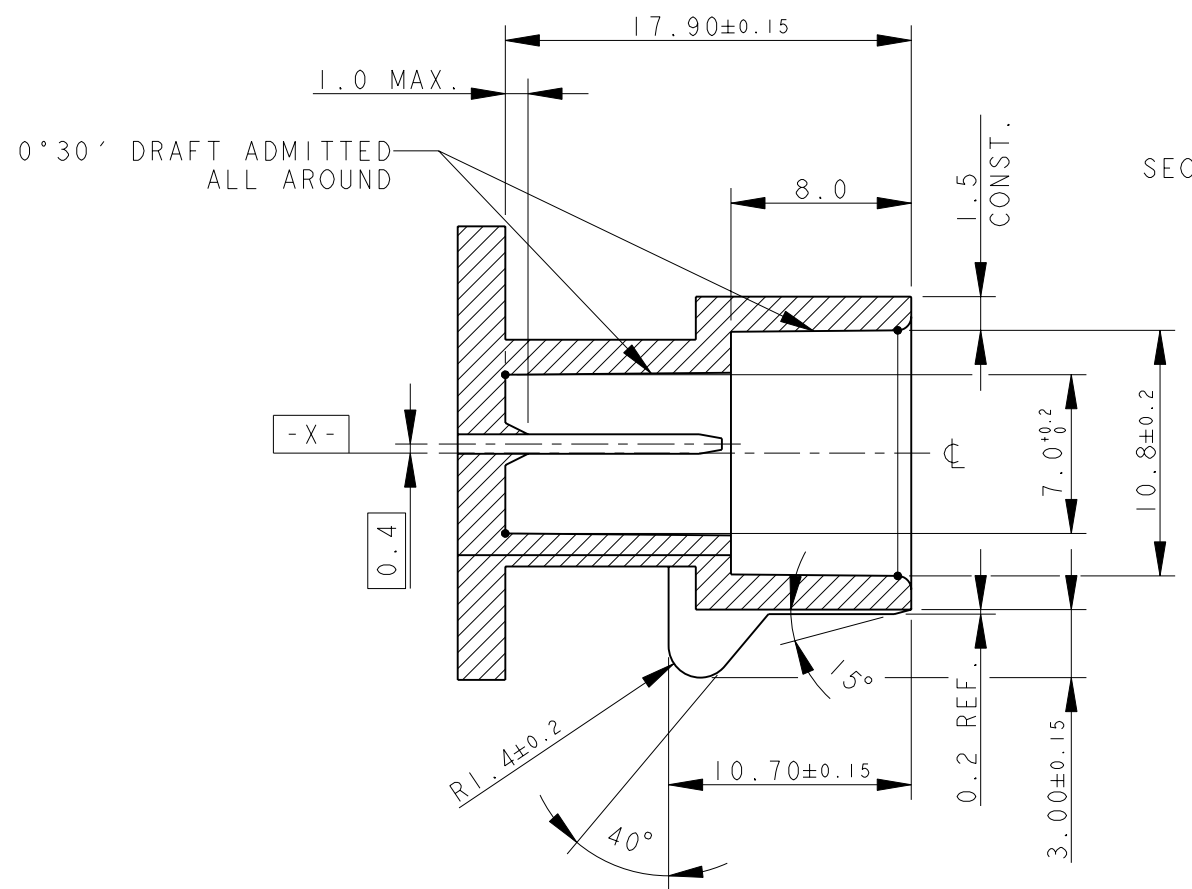
THIS DRAWING IS A CONTROLLED DOCUMENT.		DWN	C. BERTINI	07-1990	TE Connectivity	
		CHK	A. BRUNI	07-1990		
		APVD	-	-	NAME	
		PRODUCT SPEC			AMP SUPERSEAL 1.5 SRS.	
		APPLICATION SPEC			3 POSITIONS PLUG ASS'Y	
		WEIGHT			SIZE	RESTRICTED TO
		3.65gr			A300779	C=282087
		CUSTOMER DRAWING			SCALE	SHEET 1 OF 2
						REV B5

DIMENSIONS:		TOLERANCES UNLESS OTHERWISE SPECIFIED:	
mm			
	0 PLC	±	
	1 PLC	±0.3	
	2 PLC	±	
	3 PLC	±	
	4 PLC	±	
	ANGLES	±2°	
MATERIAL	FINISH	-	-

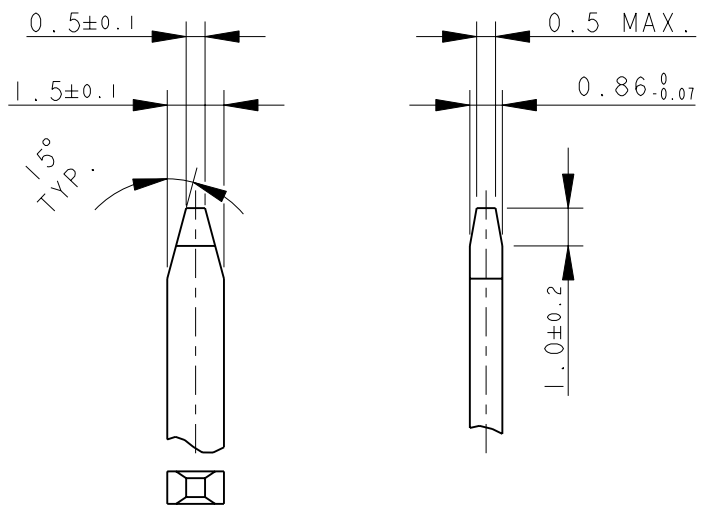
THIS DRAWING IS UNPUBLISHED. RELEASED FOR PUBLICATION 2011
 © COPYRIGHT 2011 ALL RIGHTS RESERVED.

LOC	DIST	REVISIONS			
P	LTR	DESCRIPTION	DATE	DWN	APVD
		SEE SHEET 1			

COUNTERPART DETAILS



TAB DETAILS



MATERIALS: PA66-GF FOR HOUSING
 TIN PLATED BRASS FOR TABS

THIS DRAWING IS A CONTROLLED DOCUMENT.		DWN C. BERTINI 05-1992	TE Connectivity AMP SUPERSEAL 1.5 SRS. 3 POSITIONS PLUG ASS'Y		
DIMENSIONS: mm		CHK A. BRUNI 05-1992			
TOLERANCES UNLESS OTHERWISE SPECIFIED:		APVD -	NAME		
0 PLC ±0.3 1 PLC ±0.1 2 PLC ±0.05 3 PLC ± 4 PLC ± ANGLES ±2°		PRODUCT SPEC -	SIZE A300779		
MATERIAL		APPLICATION SPEC -	CAGE CODE C-282087	DRAWING NO -	
FINISH		WEIGHT -	RESTRICTED TO -		
		CUSTOMER DRAWING	SCALE 3:1	SHEET 2 OF 2	REV B5