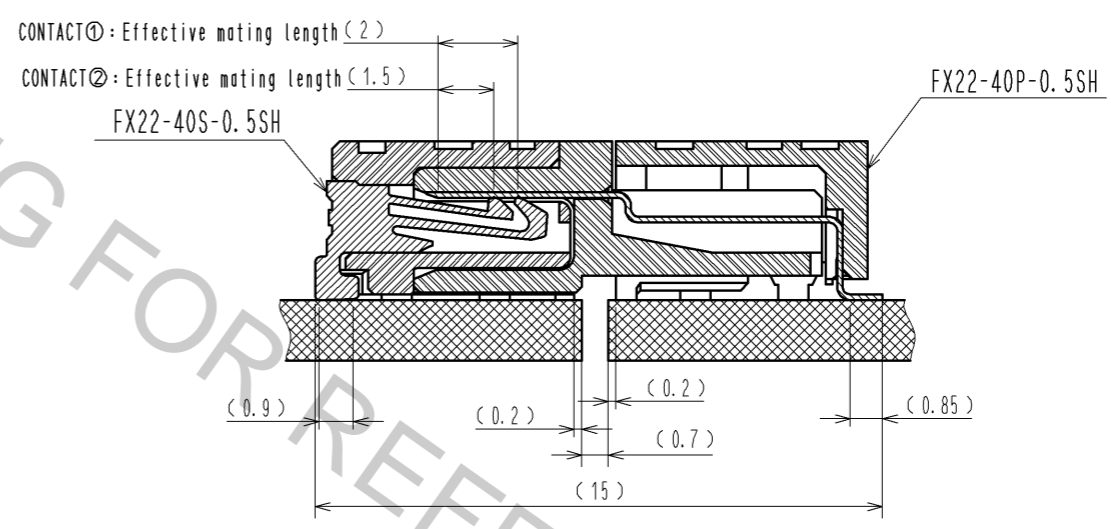
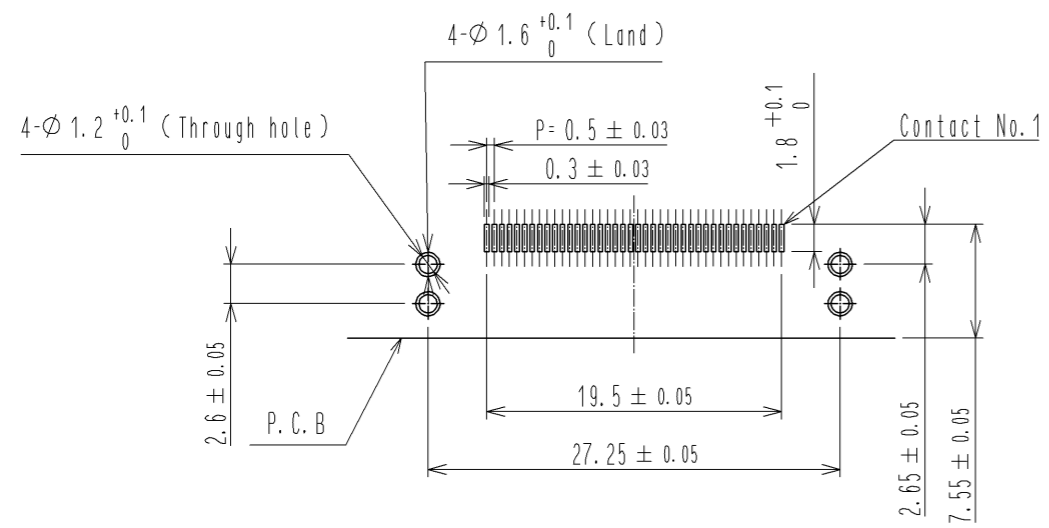


CROSS SECTION OF MATING(5:1)



RECOMMENDED LAND PATTERN DIMENSION OF PCB
 (PCB THICKNESS: t=1.6mm METAL MASK THICKNESS: t=0.12mm)

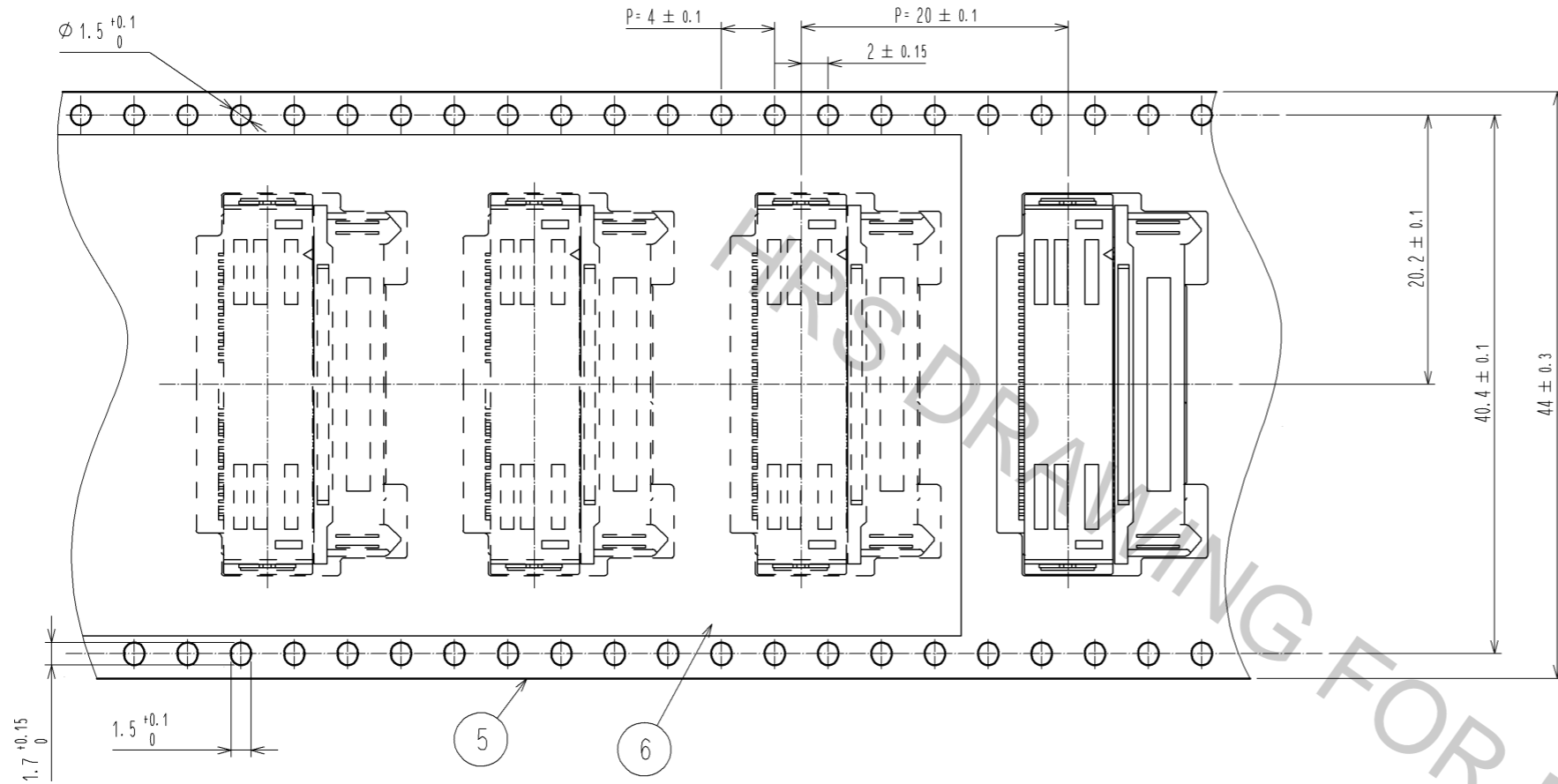


- NOTE 1 Lead CO-Planarity is 0.1mm MAX.
 (2) Floating range of this connector is ±0.6mm MAX.
 (3) It shows the vacuum pickup area.
 (4) Packing for product applies embossed carrier tape packing. (500pcs/RL)
 5 Blemish and hit mark can be occurred through out the manufacturing process which doesn't affect quality level.
 6 The dimensions in parentheses are for references.

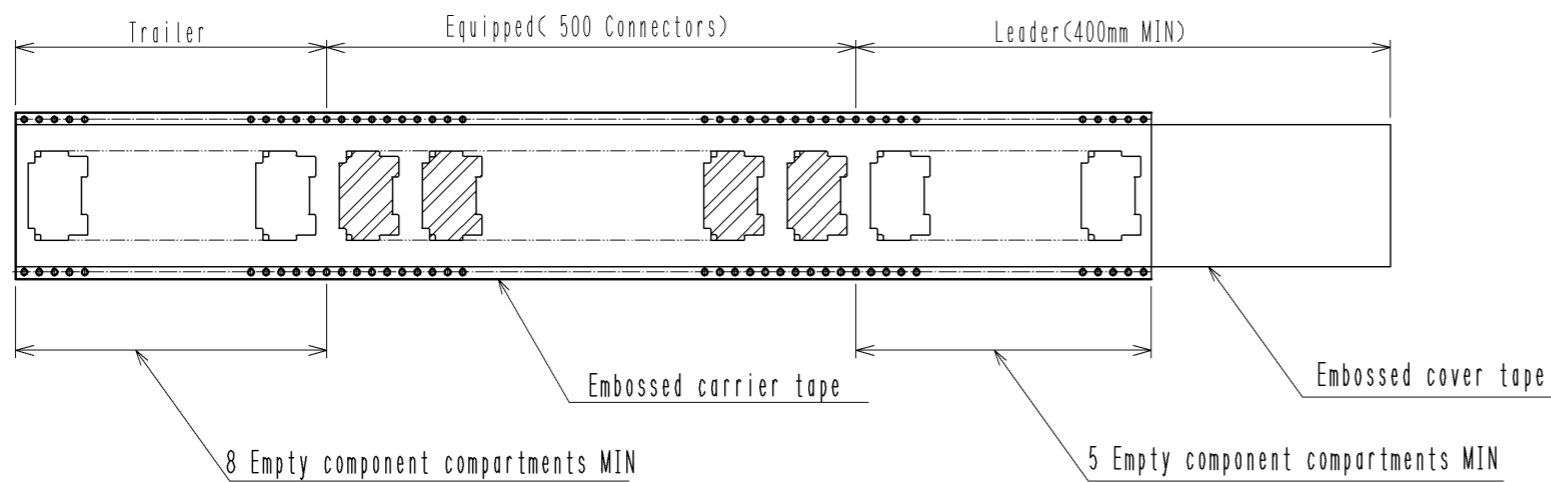
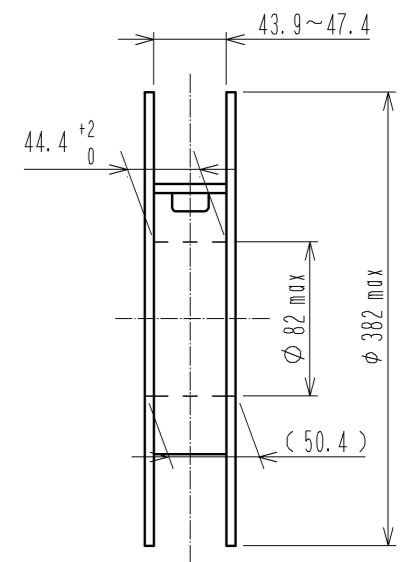
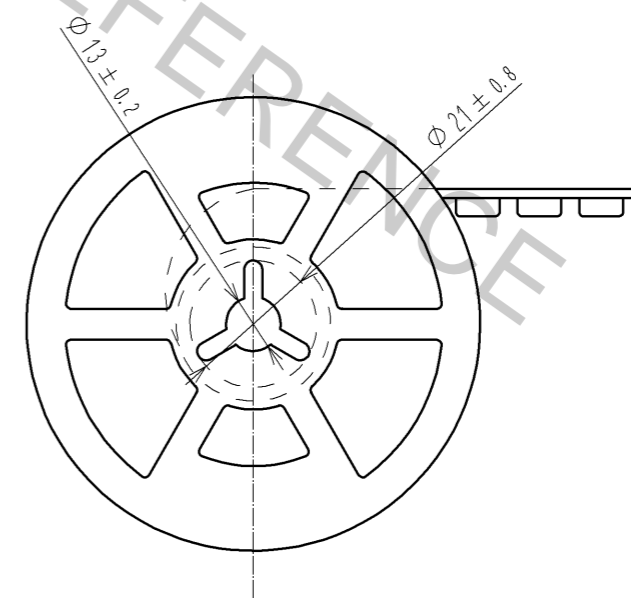
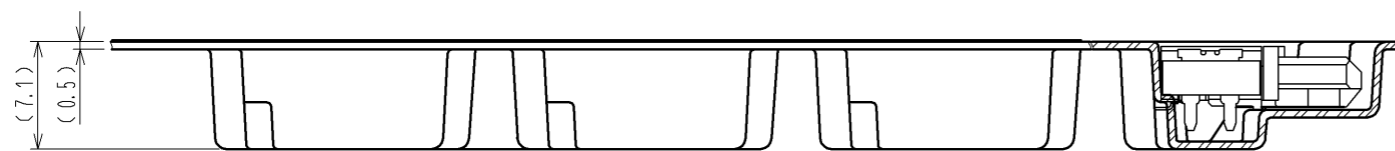
3	COPPER ALLOY	CONTACT AREA:GOLD 0.1 μm	6	POLYESTER	(EMBOSSED COVER TAPE)
		LEAD AREA:GOLD 0.03 μm	5	POLYSTYRENE	(EMBOSSED CARRIER TAPE)
		UNDER PLATING:NICKEL 1.3 μm	4	BRASS	TIN-PLATING 3 μm
2	POLYAMIDE	BLACK UL94V-0			UNDER PLATING:NICKEL 1 μm
1	POLYAMIDE	BLACK UL94V-0			
NO.	MATERIAL	FINISH . REMARKS	NO.	MATERIAL	FINISH . REMARKS
UNITS mm		SCALE 2 : 1	COUNT	DESCRIPTION OF REVISIONS	
				DESIGNED	CHECKED
				DATE	
APPROVED : HS. OKAWA		14. 09. 30	DRAWING NO. EDC3-352596-00		
CHECKED : KN. SHIBUYA		14. 09. 30	PART NO. FX22-40P-0. 5SH		
DESIGNED : AH. EDASHIGE		14. 09. 30	CODE NO. CL572-3001-4-00		
DRAWN : AH. EDASHIGE		14. 09. 30			

4 DRAWING FOR PACKING

The direction of pulling out →



REELING DIMENSION (No scale)



HRS	図番:	EDC3-352596-00	△ 2/2
	製品名:	FX22-40P-0.5SH	
	製品コード:	CL572-3001-4-00	