



FCIconnect.com

Copyright FCI.

Configuration of Documents

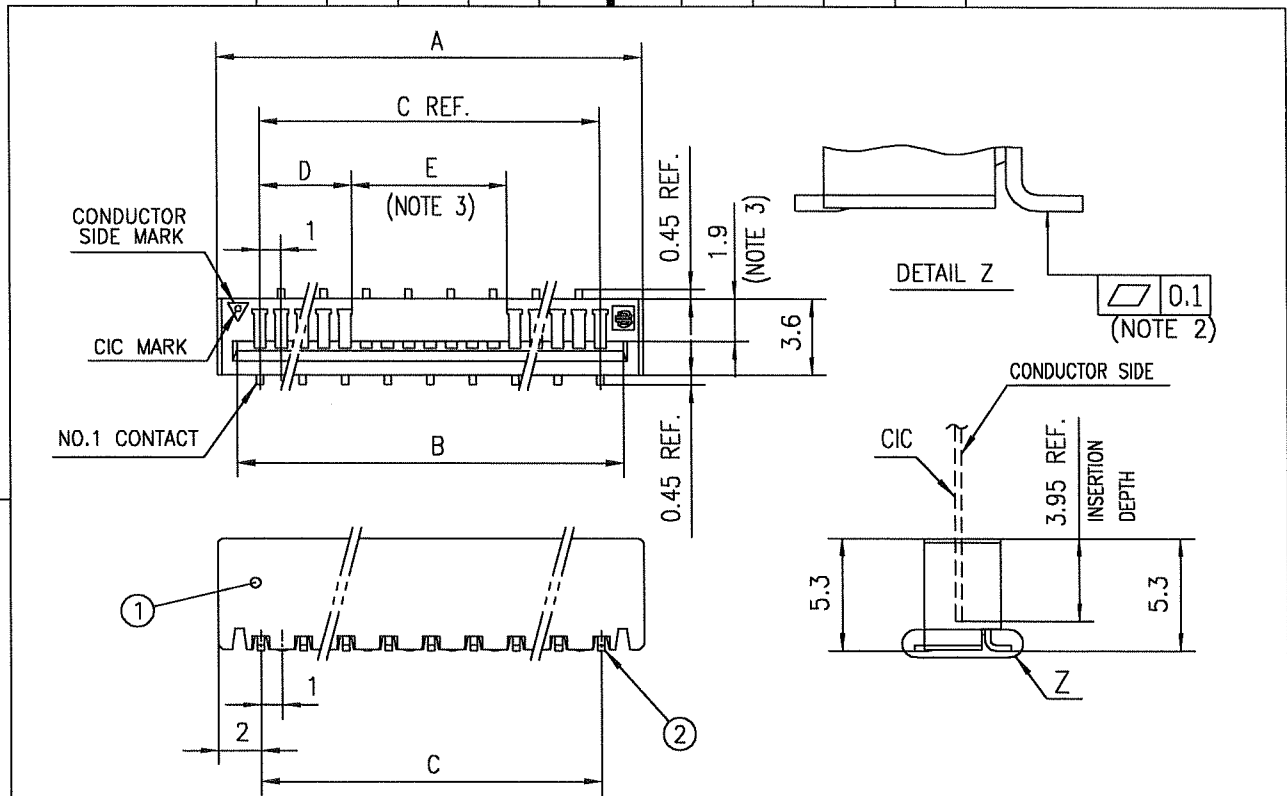
P/N	Documents	No.	Title	CAT.No.
HFW_S-2STAE1LF	Specification Connector dwg.	SC-HFWS03	CONNECTOR USED FOR FPC/FFC WITH 1mm CONTACT SPACING COPING WITH AUTOMATIC MOUNTING &SMT	HFW_S-2ST1LF
		JSA96464	CAT.NO.TABLE FOR 1mm SPACING SMT CONNECTOR	HFW_S-2ST_LF
		JSA96465	1mm SPACING SURFACE MOUNT FPC/FFC CONNECTOR	HFW_S-2ST_LF
		JSA96466	CAT. NO. TABLE FOR PLASTIC TAPE PACKAGED 1mm SPACING SMT CONN.	HFW_S-2ST1LF
	Cable dwg.	JSA96467 JSA93588 JSA93587	PLASTIC TAPE PACKAGED 1mm SPACING SMT CONNECTOR RECOMMENDED CABLE	HFW_S-2ST1LF HFW_S-2ST_
HFW_S-2STAE1LF	Specification Connector dwg.	SC-HFWS06	CONNECTOR USED FOR CIC WITH 1mm CONTACT SPACING COPING WITH AUTOMATIC MOUNTING &SMT	HFW_S-2STAE1LF
		JSA97359	CAT.NO.TABLE FOR 1mm SPACING SMT CONNECTOR	HFW_S-2STA_LF
		JSA97370	1mm SPACING SURFACE MOUNT FPC/FFC CONNECTOR	HFW_S-2STA_LF
		JSA97371	CAT. NO. TABLE FOR PLASTIC TAPE PACKAGED 1mm SPACING SMT CONN.	HFW_S-2STAE1LF
	Cable dwg.	JSA97372 JSA97373	PLASTIC TAPE PACKAGED 1mm SPACING SMT CONNECTOR RECOMMENDED CABLE	HFW_S-2STAE1LF HFW_S-2STA_
HFW_S-2STBE1LF	Specification Connector dwg.	SC-HFWS06	CONNECTOR USED FOR CIC WITH 1mm CONTACT SPACING COPING WITH AUTOMATIC MOUNTING &SMT	HFW_S-2STBE1LF
		JSA97359	CAT.NO.TABLE FOR 1mm SPACING SMT CONNECTOR	HFW_S-2STB_LF
		JSA97360	1mm SPACING SURFACE MOUNT FPC/FFC CONNECTOR	HFW_S-2STB_LF
		JSA97361	CAT. NO. TABLE FOR PLASTIC TAPE PACKAGED 1mm SPACING SMT CONN.	HFW_S-2STBE1LF
	Cable dwg.	JSA97362 JSA97363	PLASTIC TAPE PACKAGED 1mm SPACING SMT CONNECTOR RECOMMENDED CABLE	HFW_S-2STBE1LF HFW_S-2STB_
HFW_S-6STAE1LF	Specification Connector dwg.	SC-HFWS04	CONNECTOR USED FOR CIC WITH 1mm CONTACT SPACING COPING WITH AUTOMATIC MOUNTING &SMT	HFW_S-6STAE1LF
		JSA96468	CAT.NO.TABLE FOR 1mm SPACING SMT CONNECTOR	HFW_S-6ST_LF
		JSA96469	1mm SPACING SURFACE MOUNT CIC CONNECTOR	HFW_S-6ST_LF
		JSA96470	CAT. NO. TABLE FOR PLASTIC TAPE PACKAGED 1mm SPACING SMT CONN.	HFW_S-6STAE1LF
	Cable dwg.	JSA96471 JSA93944	PLASTIC TAPE PACKAGED 1mm SPACING SMT CONNECTOR RECOMMENDED CABLE	HFW_S-6STAE1LF HFW_S-6ST_

mat'l. code				surface 58 / tolerance ISO 1302 / ISO 406 / ISO 1101		projection		product family 580F		CODE JP
ltr	ecn no	dr	date	tolerances unless otherwise specified		mm		title		
A	J05-0334	H.T	6/3/05	angles	linear	mm		HFW_S Documents Configuration (1mm Contact Spacing connector)		
B	J06-0435	H.T	10/26/06			scale		dwg no sheet 1 of 1 size		
C	J07-0481	H.T	2007-9-26			X		JSA96472 A4		
D	J07-0502	H.T	2007-10-10	dr	engr	FCI		type Product Customer Drawing		
sheet index	revision sheet	D	1	chr	appd			Rev D		

form: A4

1

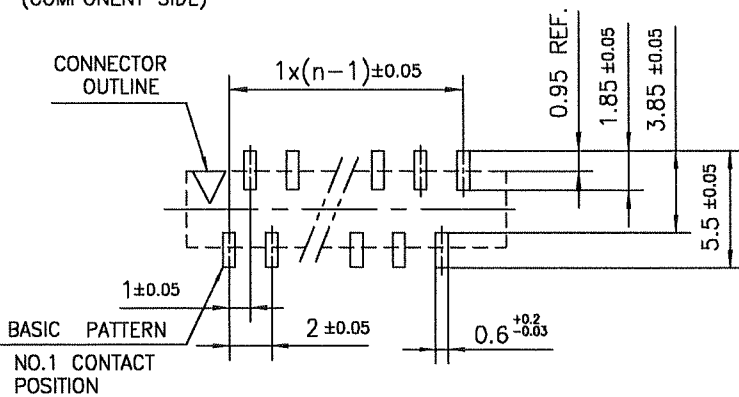
2



PT. NO.	PARTS NAME	MATERIAL	Q'TY	NOTE
1	HOUSING	PA6T RESIN GLASS REINFORCED (UL94V-0)	1	COLOR : BLACK
2	CONTACT	PHOSPHOR BRONZE	n	Ni UNDER Sn PLATING (LEAD FREE)

n : NO. OF CONTACTS

RECOMMENDED PC BOARD LAYOUT
(COMPONENT SIDE)



NOTES

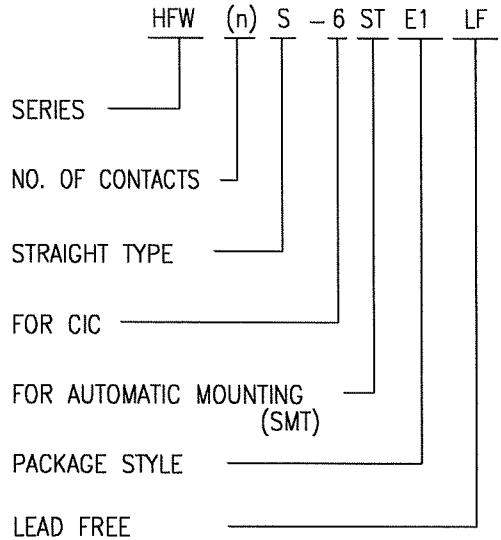
1. THIS PRODUCT IS THE CONNECTOR DESIGNED TO TERMINATE CIC AND COPE WITH AUTOMATIC MOUNTING (SMT).
2. FLATNESS OF CONTACT TERMINAL MUST BE WITHIN TOLERANCE IN Z PORTION DETAILED DRAWING.
3. THIS DIMENSION IS SPACE FOR THE NOZZLE OF MOUNTER.
4. THIS PRODUCT MEETS EUROPEAN UNION DIRECTIVES AND OTHER COUNTRY REGULATIONS AS DESCRIBED IN GS-22-008
5. THE HOUSING WILL WITHSTAND EXPOSURE TO 260°C PEAK TEMPERATURE FOR 10 SECONDS IN A REFLOW SOLDERING OVEN.

mat'l. code				surface 58 ISO 1302	tolerance ISO 406 ISO 1101	projection 	product family 580F	CODE JP	
ltr	ecn no	dr	date	tolerances unless otherwise specified		mm 	title 1mm SPACING SURFACE MOUNT CIC CONNECTOR (CAT.No.HFW__S-6ST__LF)		
A	J05-0334	H.T	6/3/'05	angles	linear		scale \times	dwg no JSA 96469	
B	J05-0731	H.T	10/28/'05					sheet 1 of 1 size A4	
C	J06-0435	H.T	10/26/'06				type Product Customer Drawing		
sheet index		revision sheet	C 1	dr H. J. ... 10/26/06	enr H. J. ... 10/26/06	chr K. S. ... 10/26/06	app S. Mudam ... 10/27/06	Rev. C	

CAT. NO. & DIMENSIONS

(NOTE4)	NO. OF CONTACTS (n)	CAT. NO. (NOTE2)	DIMENSIONS (NOTE3)		
			F ± 5	G ±0.3	H ±0.1
	4	HFW4S-6STE1LF	28.4	24	—
	5	HFW5S-6STE1LF	28.4	24	—
	6	HFW6S-6STE1LF	28.4	24	—
	7	HFW7S-6STE1LF	28.4	24	—
	8	HFW8S-6STE1LF	28.4	24	—
	9	HFW9S-6STE1LF	28.4	24	—
	10	HFW10S-6STE1LF	28.4	24	—
	11	HFW11S-6STE1LF	28.4	24	—
	12	HFW12S-6STE1LF	28.4	24	—
	13	HFW13S-6STE1LF	28.4	24	—
	14	HFW14S-6STE1LF	36.4	32	28.4
	15	HFW15S-6STE1LF	36.4	32	28.4
	16	HFW16S-6STE1LF	36.4	32	28.4
	17	HFW17S-6STE1LF	36.4	32	28.4
	18	HFW18S-6STE1LF	48.4	44	40.4
	19	HFW19S-6STE1LF	48.4	44	40.4
	20	HFW20S-6STE1LF	48.4	44	40.4
	21	HFW21S-6STE1LF	48.4	44	40.4
	22	HFW22S-6STE1LF	48.4	44	40.4
	23	HFW23S-6STE1LF	48.4	44	40.4
	24	HFW24S-6STE1LF	48.4	44	40.4
	25	HFW25S-6STE1LF	48.4	44	40.4
	26	HFW26S-6STE1LF	48.4	44	40.4
	27	HFW27S-6STE1LF	48.4	44	40.4
	28	HFW28S-6STE1LF	48.4	44	40.4
	29	HFW29S-6STE1LF	60.4	56	52.4
	30	HFW30S-6STE1LF	60.4	56	52.4
*	31	HFW31S-6STE1LF	60.4	56	52.4
	32	HFW32S-6STE1LF	60.4	56	52.4
*	33	HFW33S-6STE1LF	60.4	56	52.4

CAT. NO.



NOTES

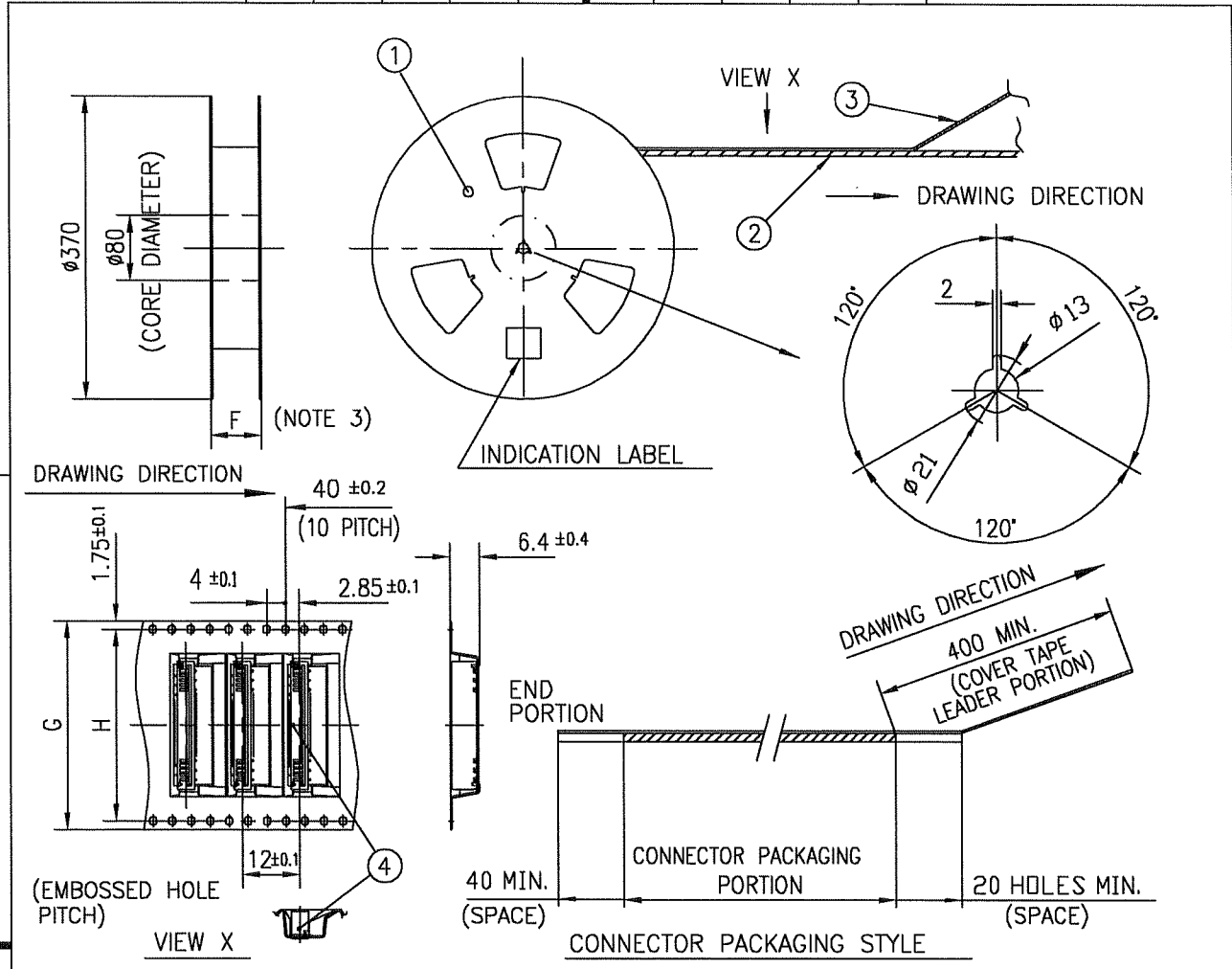
1. THIS PRODUCT IS THE CONNECTOR DESIGNED TO TERMINATE CIC AND COPE WITH AUTOMATIC MOUNTING (SMT).
2. THIS CATALOG NO. INDICATES PLASTIC TAPE PACKAGED CONNECTOR.
3. SEE PART DRAWINGS FOR DIMENSIONS F~G.
4. PLEASE CONSULT US IN CASE OF USING PARTS WITH * MARK.



FCIconnect.com

Copyright FCI.

mat'l. code				surface 58 / tolerance ISO 1302 ✓ / ISO 406 / ISO 1101		projection		product family 580F		CODE JP		
ltr	ecn no	dr	date	tolerances unless otherwise specified				title				
A	J05-0334	H.T	6/3/'05	angles linear				CAT. NO. TABLE FOR PLASTIC TAPE PACKAGED 1mm SPACING SMT CONN. (CAT.No. HFW__S-6STE1LF)				
B	J06-0435	H.T	10/26/'06									
				dr <i>H. Takahashi</i> 10/26/06				dwg no		sheet 1 of 1 size		
				enrg <i>H. Takahashi</i> 10/26/06				JSA 96470		A4		
				chr <i>R. Shover</i> 10/24/06				type		Product Customer Drawing		
				appd <i>S. Dardam</i> 10/27/06								
sheet index	revision	B	1									Rev. B



PT. NO.	PARTS NAME	CAT. NO.	MATERIAL	Q'TY	NOTE
1	REEL	_____	CARDBOARD	1	COLOR:GRAY
2	PLASTIC (EMBOSS) TAPE	_____	PET	_____	COLOR:TRANSPARENCY
3	COVER	_____	POLYESTER	_____	COLOR:TRANSPARENCY
4	CONNECTOR	HFWS__S-6ST__LF	SEE ATTACHED DWG.	1000	_____

NOTES

1. THIS IS PLASTIC TAPE PACKAGED CONNECTOR USED FOR CIC AND COPEs WITH AUTOMATIC MOUNTING (SMT).
2. SEE JIS C 0806 (PACKING OF ELECTRONIC COMPONENTS ON CONTINUOUS TAPES (SURFACE MOUNTING DEVICES)) FOR SHAPE AND DIMENSIONS OF PLASTIC (EMBOSS) TAPE AND REEL.
3. F DIMENSION IS PORTION OF THE CORE.

mat'l. code				surface 58 ISO 1302	tolerance ISO 406 ISO 1101	projection 	product family 580F	CODE JP
ltr	ecn no	dr	date	tolerances unless otherwise specified		mm	title PLASTIC TAPE PACKAGED 1mm SPACING SMT CONNECTOR (CAT.No.HFWS__S-6STE1LF)	
A	J05-0334	H.T	6/3/'05	angles	linear			
B	J06-0435	H.T	10/26/'06	±5'		scale	dwg no	
				dr	<i>H. Sudann</i> 10/26/06		sheet 1 of 1 size	
				enr	<i>H. Sudann</i> 10/26/06		JSA 96471	
				chr	<i>R. Shouge</i> 10/26/06		A4	
				app	<i>S. Sudann</i> 10/27/06		type Product Customer Drawing	
sheet index	revision sheet	B	1					Rev. B

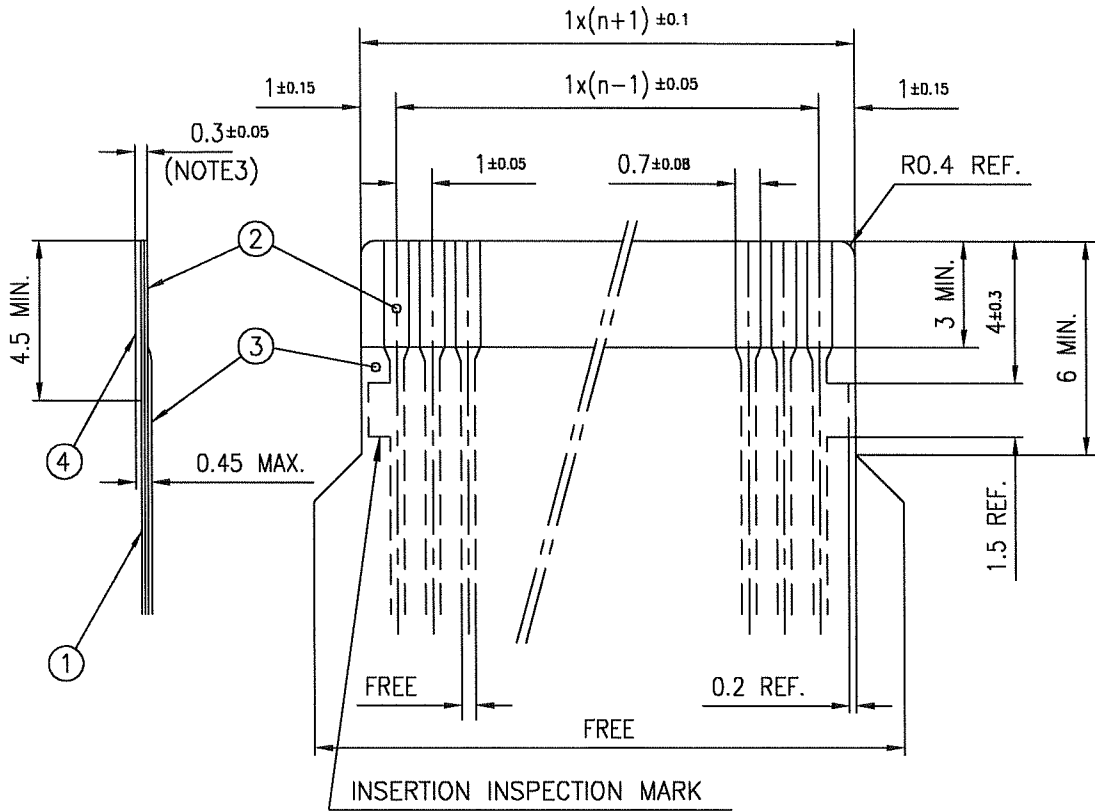


FCJconnect.com

Copyright FCJ.

RECOMMENDED CABLE (CIC)

n : NO. OF CONDUCTOR



PT. NO.	PARTS NAME	MATERIAL	THICKNESS (μm)	
1	BASE FILM	POLYESTER OR EQUAL	75	25
2	CONDUCTOR	CARBON PASTE OVER SILVER PASTE	10 MIN.	
3	OVERLAY	POLYIMIDE OR POLYESTER OR EQUAL	—	
4	SUPPORTING TAPE	POLYESTER OR POLYIMIDE OR EQUAL	188	250

NOTES

1. NO BURR AT EACH PORTION.
2. NO PEELING IN COMMON USE.
3. TOTAL THICKNESS LIMIT OF EACH MATERIAL (INCLUDING ADHESIVE AGENT) IS SPECIFIED.

mat'l. code				surface 58 / tolerance ISO 1302 ✓ ISO 406 ISO 1101		projection		product family 580F		CODE JP		
ltr	ecn no	dr	date	tolerances unless otherwise specified		mm		title				
AA	J04-0334	H.T	Oct.13,'04	angles	linear	mm		RECOMMENDED CABLE				
AB	J06-0435	H.T	10/26/'06			scale X		(CAT.No.HFW__S-6ST__)				
				dr	10/26/06		FCI		dwg no sheet 1 of 1		size	
				enr	10/26/06				JSA 93944		A4	
				chr	10/26/06				type Product Customer Drawing			
				appd	10/27/06							
sheet index	revision sheet	AB	1									Rev. AB