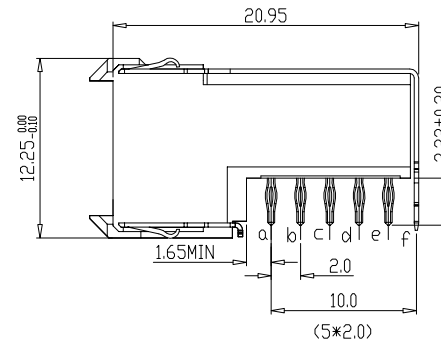
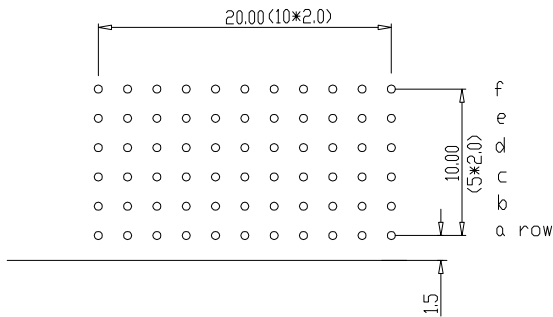
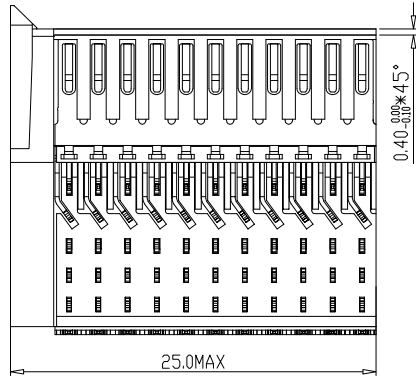
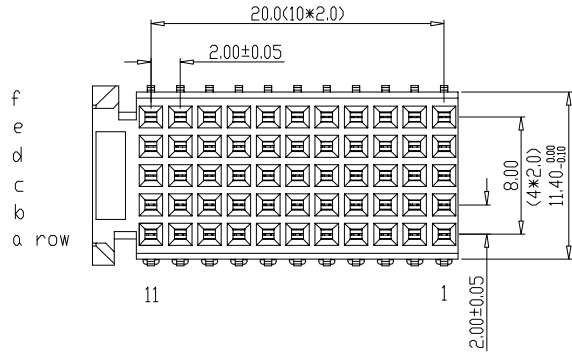




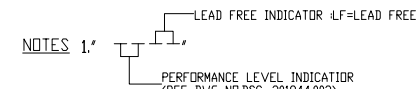
Tous droits strictement reserves. Reproduction ou communication a des tiers interdite sous quelque forme que ce soit sans autorisation ecrite du proprietaire. Propriete de c FCI. Droits de reproduction FCI.

All rights strictly reserved. Reproduction or issue to third parties in any form whatever is not permitted without written authority from the proprietor. Property of FCI. Copyright FCI.



PERFORMANCE CHARACTERISTICS

- CURRENT RATING 1.5A AT 20°C (FULLY LOADED)
1 A AT 70°C (FULLY LOADED)
- RATED VOLTAGE : 500 V AC (CONT /CONT)
- OPERATING TEMPERATURE : -55°C TO 125°C
- CONTACT RESISTANCE 20 MΩ MAX
- INSERTION FORCE : 0.75N MAX/CONT
- EXTRACTION FORCE : 0.15N MIN/CONT
- INSULATION RESISTANCE : 10⁴ MΩ MIN



- THIS PRODUCT IS CSA APPROVED. THIS PRODUCT IS UL RECOGNIZED.
- FOR RECOMMENDED PTH DIMENSIONS REFER DRAWING : BS.A.201572.001
- THIS PRODUCT (LF) MEETS EUROPEAN UNION DIRECTIVES AND OTHER COUNTRY REGULATIONS AS DESCRIBED IN GS-22-008

LAY-OUT
P.C.B.- HOLE

rev	ecn no	dr	date
A	CONVERSION REVISION 05	KN	14-09-01
B	105-0113	Alex B	07-07-05
C	DG05-0278	Kason	02-08-05
D	DG07-0362	Kason	05-09-07
E	DG10-0110	NZ	03-22-10
-	-	-	-

Material		Spec ref		tolerance 1DEC ± 0.2 1DEC 2DEC ± 0.1 2DEC ANGLES ± 1° HOEKEN		projection ⊕		MM	
Mat code		W.Panis		07-04-92		size A4		Scale 2.000	
Heattreat		Eng		Product family		MILLIPACS		ECN	
Plating/Finish		Chr		Model Name		REL Level		Model Revision	
Dr		Appr		FCI		title		MPACS 5+2R RA RCP CONN TYPE C	
dwg no		BSC201444011		Rev.		E		sheet 1 of 1	
Pro/E file		catalog no		HM2R30PA5101----		CUSTOMER DRAWING		sheet 1 of 1	