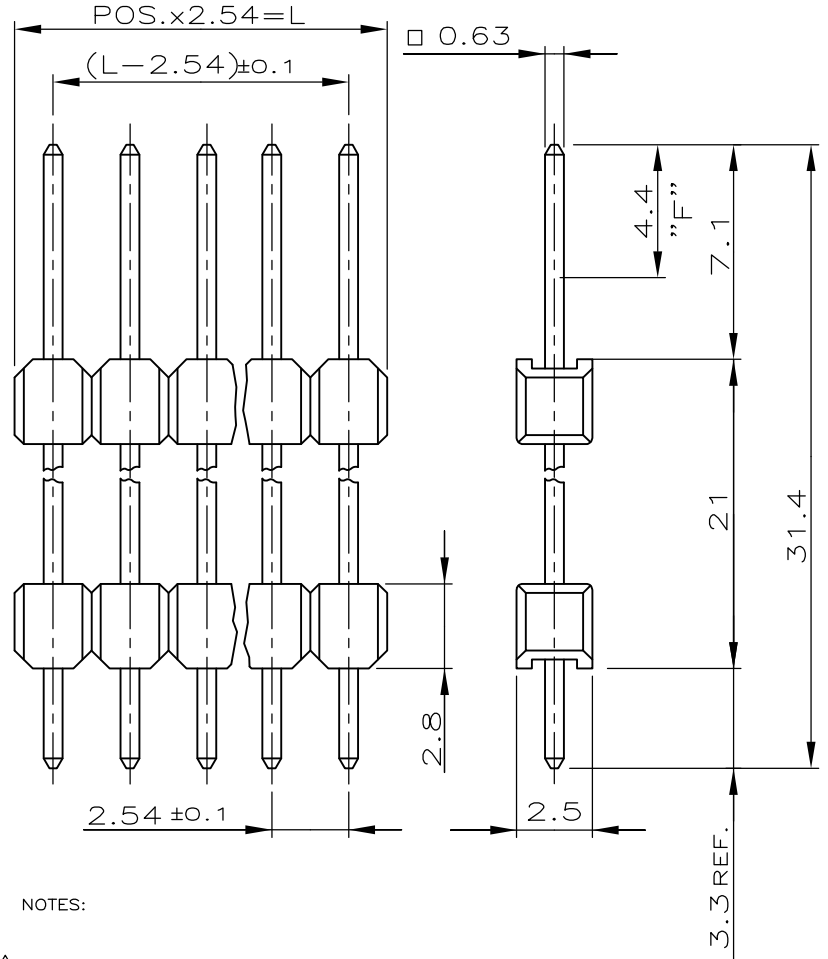


LOC	DIST	REVISIONS					
—	—	P	LTR	DESCRIPTION	DATE	DWN	APVD
			C	CONTACT PIN BASE MATERIAL & PLATING CHANGE	07JUL2014	KJK	JK

POS.	L±0.4	PART NUMBER	
—	—	—	
2	5.08	<del>—</del> -2	OBSOLETE $\triangle$
3	7.62	<del>—</del> -3	
4	10.16	<del>—</del> -4	OBSOLETE
5	12.70	<del>—</del> -5	OBSOLETE
6	15.24	<del>—</del> -6	$\triangle$
7	17.78	<del>—</del> -7	
8	20.32	<del>828 228</del> -8	OBSOLETE
9	22.86	<del>—</del> -9	$\triangle$
10	25.40	<del>—</del> -0	OBSOLETE
11	27.94	<del>—</del> -1	OBSOLETE $\triangle$
12	30.48	<del>—</del> -2	
13	33.02	<del>—</del> -3	OBSOLETE
14	35.56	<del>—</del> -4	$\triangle$
15	38.10	<del>—</del> -5	
16	40.64	<del>—</del> -6	OBSOLETE
17	43.18	<del>—</del> -7	OBSOLETE
18	45.72	<del>—</del> -8	
19	48.26	<del>—</del> -9	$\triangle$
20	50.80	<del>—</del> -0	OBSOLETE
21	53.34	<del>—</del> -1	
22	55.88	<del>—</del> -2	
23	58.42	<del>—</del> -3	OBSOLETE
24	60.96	<del>—</del> -4	
25	63.50	<del>—</del> -5	$\triangle$
26	66.04	<del>—</del> -6	
27	68.58	<del>—</del> -7	
28	71.12	<del>—</del> -8	
29	73.66	<del>—</del> -9	
30	76.20	<del>—</del> -0	
31	78.74	<del>—</del> -1	
32	81.28	<del>—</del> -2	OBSOLETE
33	83.82	<del>—</del> -3	
34	86.36	<del>—</del> -4	
35	88.90	<del>—</del> -5	
36	91.44	<del>—</del> -6	
37	93.98	<del>—</del> -7	
38	96.52	<del>—</del> -8	
39	99.06	<del>—</del> -9	
40	101.60	<del>—</del> -0	$\triangle$
41	104.14	<del>—</del> -1	
42	106.68	<del>—</del> -2	
43	109.22	<del>—</del> -3	
44	111.76	<del>—</del> -4	
45	114.30	<del>—</del> -5	
46	116.84	<del>—</del> -6	
47	119.38	<del>—</del> -7	
48	121.92	<del>—</del> -8	
49	124.46	<del>—</del> -9	OBSOLETE $\triangle$
50	127.00	<del>5-828 228</del> -0	OBSOLETE



NOTES:

$\triangle 1$  MATING SIDE: MIN. 0.7 $\mu$ m PdNi + MIN. 0.1 $\mu$ m GOLD FLASH BY AREA "F" OVER 1.27 $\mu$ m NICKEL  
SOLDER SIDE: MIN. 2.5 $\mu$ m TIN OVER 1.27 $\mu$ m NICKEL

$\triangle 2$  OBSOLETE PARTS: OBSOLETE CIS STREAMLINING PER D.RENAUD/D.SINISI

CONTACT PIN	CuZn	$\triangle 1$
PIN HOUSING	PBT	GREEN
DESCRIPTION	MATERIAL	FINISH
		COLOR

THIS DRAWING IS UNPUBLISHED. JK  
 ALL RIGHTS RESERVED. JK  
 COPYRIGHT - JK

DIMENSIONS: mm	DWN	G.HOLAUS	31.08.89	MATERIAL	SEE TABLE	FINISH	SEE TABLE
	CHK	M.SCHAARSCHMIDT	—	TE Connectivity			
TOLERANCES UNLESS OTHERWISE SPECIFIED:	APVD	—	—				
±0.2 mm	PRODUCT SPEC	108-18012		SIZE	CAGE CODE	DRAWING NO	RESTRICTED TO
0 PLC ± -	APPLICATION SPEC	—		A4	00779	C-828228	—
1 PLC ± -	WEIGHT	—		CUSTOMER DRAWING			SCALE
2 PLC ± -							4:1
3 PLC ± -							SHEET
4 PLC ± -							1 OF 1
ANGLES ± -							REV
							C