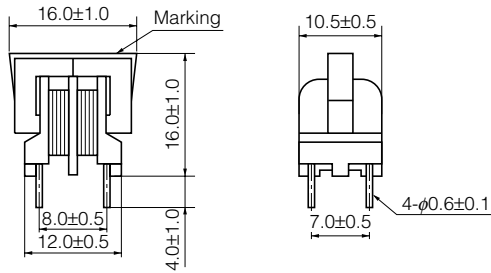


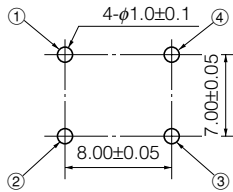
Series M

● Type 11M

Dimensions in mm (not to scale)

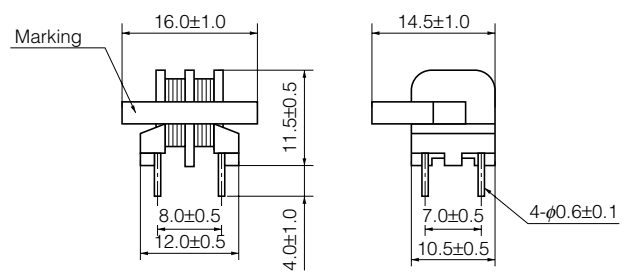


Recommended PWB piercing plan

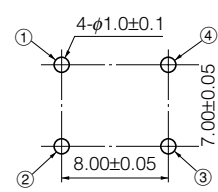


● Type 14M

Dimensions in mm (not to scale)



Recommended PWB piercing plan



● Standard Parts (Vertical type)

| Part No. | Marking | Inductance (mH) min. | *R _{bc} (Ω) [at 20 °C] (Tol ±20 %) | Current (A rms) max. |
|------------|---------|----------------------|---|----------------------|
| ELF11M010E | 010E | 30.0 | 9.70 | 0.1 |
| ELF11M020E | 020E | 12.0 | 4.30 | 0.2 |
| ELF11M030E | 030E | 6.0 | 2.30 | 0.3 |
| ELF11M040E | 040E | 3.5 | 1.35 | 0.4 |
| ELF11M050E | 050E | 2.5 | 0.93 | 0.5 |
| ELF11M060E | 060E | 1.5 | 0.58 | 0.6 |
| ELF11M070E | 070E | 1.0 | 0.36 | 0.7 |
| ELF11M080E | 080E | 0.8 | 0.33 | 0.8 |
| ELF11M090E | 090E | 0.7 | 0.28 | 0.9 |
| ELF11M100E | 100E | 0.5 | 0.25 | 1.0 |

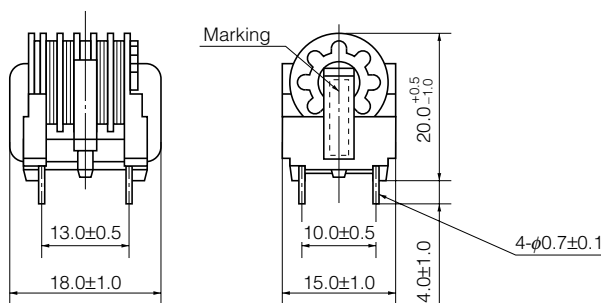
● Standard Parts (Horizontal type)

| Part No. | Marking | Inductance (mH) min. | *R _{bc} (Ω) [at 20 °C] (Tol ±20 %) | Current (A rms) max. |
|------------|---------|----------------------|---|----------------------|
| ELF14M010E | 010E | 30.0 | 9.70 | 0.1 |
| ELF14M020E | 020E | 12.0 | 4.30 | 0.2 |
| ELF14M030E | 030E | 6.0 | 2.30 | 0.3 |
| ELF14M040E | 040E | 3.5 | 1.35 | 0.4 |
| ELF14M050E | 050E | 2.5 | 0.93 | 0.5 |
| ELF14M060E | 060E | 1.5 | 0.58 | 0.6 |
| ELF14M070E | 070E | 1.0 | 0.36 | 0.7 |
| ELF14M080E | 080E | 0.8 | 0.33 | 0.8 |
| ELF14M090E | 090E | 0.7 | 0.28 | 0.9 |
| ELF14M100E | 100E | 0.5 | 0.25 | 1.0 |

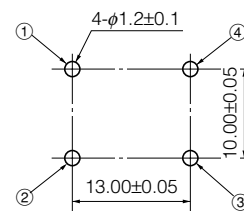
* DC Resistance

● Type 16M

Dimensions in mm (not to scale)



Recommended PWB piercing plan



● Standard Parts

| Part No. | Marking | Inductance (mH) min. | *R _{bc} (Ω) [at 20 °C] (Tol ±20 %) | Current (A rms) max. | Part No. | Marking | Inductance (mH) min. | *R _{bc} (Ω) [at 20 °C] (Tol ±20 %) | Current (A rms) max. |
|------------|---------|----------------------|---|----------------------|------------|---------|----------------------|---|----------------------|
| ELF16M020A | 020A | 28.0 | 3.650 | 0.2 | ELF16M080A | 080A | 3.5 | 0.400 | 0.8 |
| ELF16M030A | 030A | 20.0 | 2.700 | 0.3 | ELF16M100A | 100A | 2.0 | 0.270 | 1.0 |
| ELF16M040A | 040A | 15.0 | 1.800 | 0.4 | ELF16M130A | 130A | 1.0 | 0.160 | 1.3 |
| ELF16M050A | 050A | 8.0 | 0.980 | 0.5 | ELF16M150A | 150A | 0.8 | 0.110 | 1.5 |
| ELF16M060A | 060A | 7.0 | 0.800 | 0.6 | ELF16M170A | 170A | 0.6 | 0.078 | 1.7 |
| ELF16M070A | 070A | 5.0 | 0.550 | 0.7 | ELF16M200A | 200A | 0.5 | 0.070 | 2.0 |

* DC Resistance

Design and specifications are each subject to change without notice. Ask factory for the current technical specifications before purchase and/or use. Should a safety concern arise regarding this product, please be sure to contact us immediately.