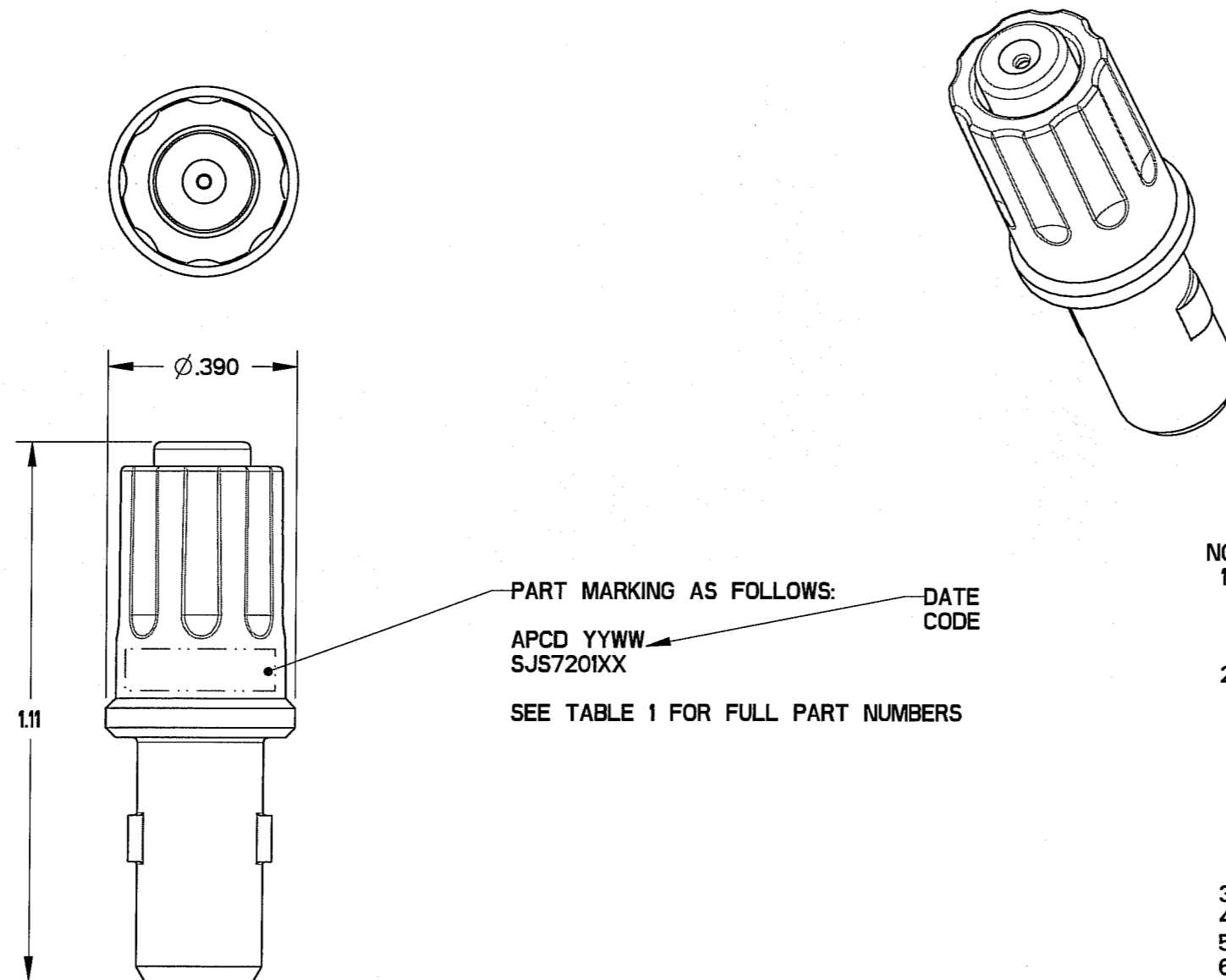


REV	ECN	DESCRIPTION	APP'D
-	5791		J. TON
A	6102	NOTE CHANGED	J. TON
B	6109	NOTE CHANGED	JT 8/29/07



NOTES:

1. MATERIALS:
 HOUSING: PA 6/6
 CONTACT RETAINER: STAINLESS STEEL
 GROMMET: SILICONE RUBBER PER A-A-59588
2. OPERATING RANGE:
 TEMPERATURE: -55 °C TO 95 °C
 INSULATION RESISTANCE: 5000 MEGOHMS MINIMUM
 DIELECTRIC WITHSTANDING VOLTAGE: 1500 VRMS SEA LEVEL
 600 VRMS @45,000 FT. ALTITUDE

 CURRENT RATING: 7.5 AMPS
 VIBRATION: PER EIA-364-D METHOD 28
 ALTITUDE IMMERSION: EIA-364-D METHOD 3 @ 55,000 FT
 (FORMERLY MIL-STD-1344 METHOD 1004)
3. ACCEPTS (1) M39029/56-351 SOCKET CONTACT (NOT INCLUDED)
4. CONTACT RETENTION - MUST LOCK 25 LBS
5. LOCKING FEATURE - NO BREAK 25 LBS
6. MATES WITH SJS720200

TABLE 1 - PART# SCHEME	
APCD PART#	COLOR
SJS720100	GREEN
SJS720110	YELLOW

DIMENSIONS ANSI Y14.5M UNITS: INCHES Pro/E FILE	TOLERANCES .XX ±0.01 .XXX ±0.005 ANGLES ±10°	PROJECTION 	Amphenol Pcd SPECIFICATION DRAWING		TITLE IN-LINE JUNCTION SINGLE WIRE, SIZE 20 PLUG	
			ENGR S. STONE 01/27/06	CHKD <i>Chuyi</i> 8/29/07	SIZE B	DWG NO. SJS720100
ORIGINAL 	THIS DOCUMENT CONTAINS PROPRIETARY INFORMATION WHICH IS THE CONFIDENTIAL PROPERTY OF AMPHENOL PCD INC., PEABODY, MA		APPD <i>John</i> 8/29/07	CODE: 58982	SCALE: 3:1	SHEET 1 OF 1

SJS720100