

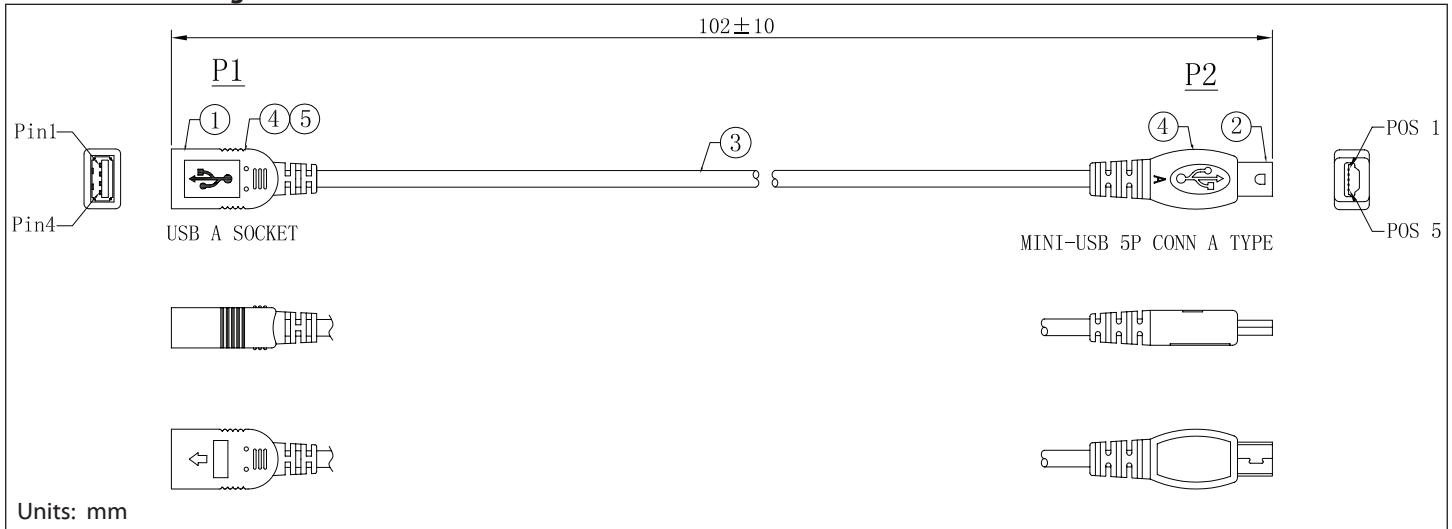
Specifications:

connector description (1)	USB socket, A type, 4 position, 3~5u" gold plating, white insulator, nickel shell, overmold
connector description (2)	mini-USB socket, A type, 5 position, 3~5u" gold plating, white insulator, nickel shell
wire description (3)	4C, 1PR+2C, 28 AWG, UL2725, 30V, 80C, 3.6 mm, AL spiral + DW, VW-1, high-speed USB 2.0, white, P/N 30-00145
cable outer diameter	Ø3.6 mm
cable color	white
cable length	102 ± 10 mm
overmold (4)	molded white (HT027) PVC, 45P
overmold (5)	clear PE

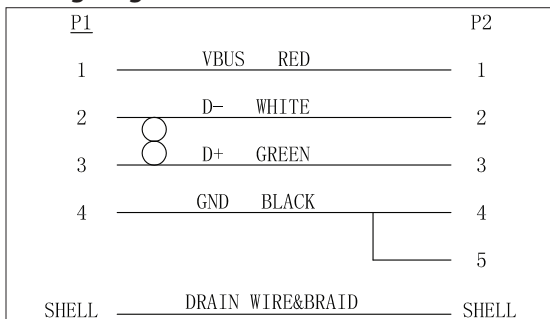
Notes:

Function test: no open, no reversed polarity, no short circuit, no INT
 RoHS compliant

Mechanical drawing:



Wiring diagram:



tolerance X: ±0.5 mm .X: ±0.3 mm .XX: ±0.05 mm
 applicable unless otherwise indicated in specification or on drawings
 Tensility International Corporation reserves the right to substitute parts which are functionally equivalent to the ones specified.

Initial	Date
----------------	-------------

Revision notes:

Rev	Date	Description
A	December 12, 2008	initial release
A1	November 17, 2011	updated wiring diagram
A2	November 30, 2011	updated description to show wire part number

Specification Approval

Spec sign-off verifies that you have reviewed the entire specification, tested a sample of the product, and confirm that it meets your requirements. This specification reflects the part as it will be ordered. Orders will not be processed until the specification pages have been initialed and the approval page has been signed. This specification is confidential and is not to be transmitted without prior approval from Tensility.

Signature _____

Title _____

Name _____

Date _____

Company _____

Branch _____