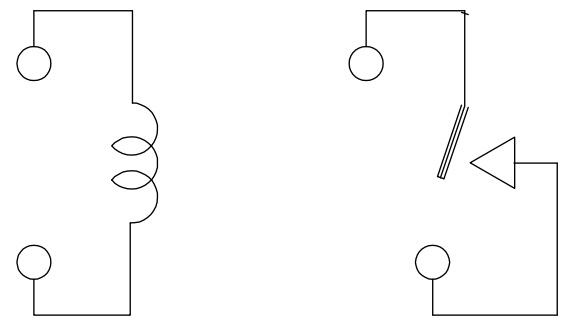
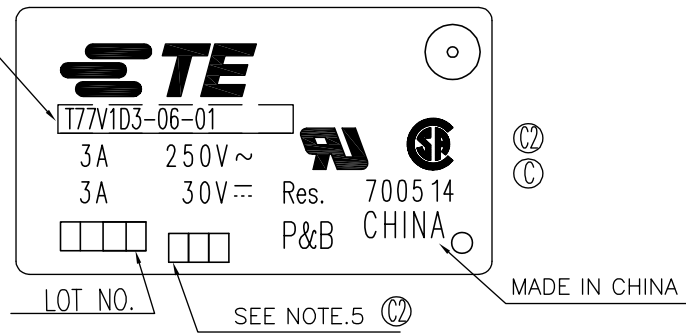


THIS DRAWING IS UNPUBLISHED. RELEASED FOR PUBLICATION
 © COPYRIGHT - By - TE CONNECTIVITY ALL RIGHTS RESERVED.

LOC	DIST	REVISIONS			
P	LTR	DESCRIPTION	DATE	DWN	APVD
HB	-	C2	CHANGE LOGO&LINE INDETIFICATION ECO-12-001771	30May12	HYS YBH

PART A



CONNECTION FIGURE

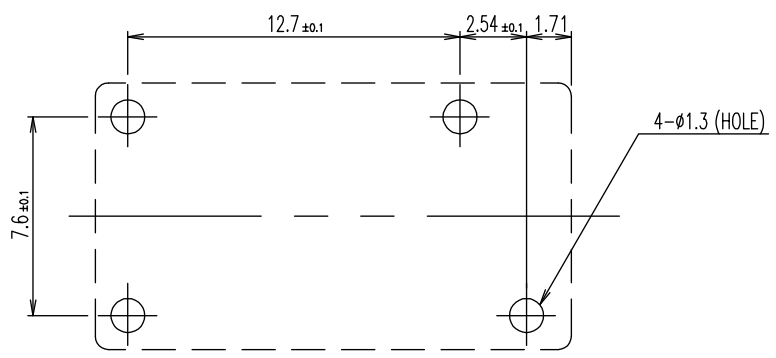
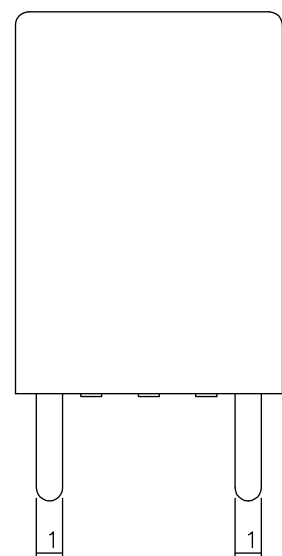
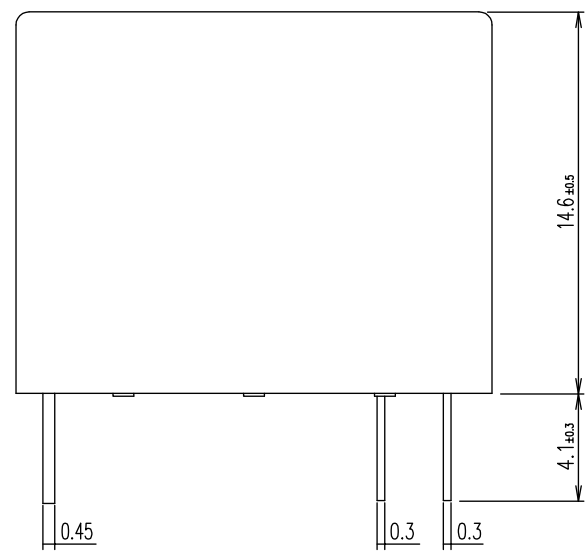
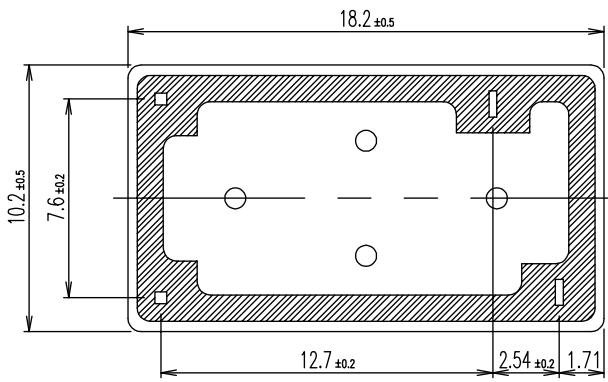


FIGURE FOR PRINTED CIRCUIT BOARD PROCESSING (BOTTOM VIEW)



THIS DRAWING IS A CONTROLLED DOCUMENT.		DWN	Huang, Yunshou		TE Connectivity
DIMENSIONS: mm		CHK	Yu, Banghua		
TOLERANCES UNLESS OTHERWISE SPECIFIED:		APVD	Zhang, Sunny		NAME
0 PLC ±-		PRODUCT SPEC	-		T77*1D3-** CUSTOMER DRAWING
1 PLC ±-		APPLICATION SPEC	-		RESTRICTED TO
2 PLC ±-		SIZE	CAGE CODE	DRAWING NO	
3 PLC ±-		WEIGHT	A3	00779	2-1393194-5
4 PLC ±-		CUSTOMER DRAWING	SCALE 5:1		SHEET 1 of 2
ANGLES ±-			REV C2		

THIS DRAWING IS UNPUBLISHED. RELEASED FOR PUBLICATION
 © COPYRIGHT - By - TE CONNECTIVITY ALL RIGHTS RESERVED.

LOC HB	DIST -	REVISIONS					
		P	LTR	DESCRIPTION	DATE	DWN	APVD
			-	SEE SHEET 1	-	-	-

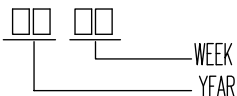
2-1393194-8	T77V1D3-24-01	T77V1D3-24-01	p
2-1393194-7	T77V1D3-24	T77V1D3-24	o
① 1-1440005-9	T77V1D3-18	T77V1D3-18	n
2-1393194-6	T77V1D3-12	T77V1D3-12	m
① 1-1440005-7	T77V1D3-09	T77V1D3-09	l
① 1-1440005-6	T77V1D3-06	T77V1D3-06	k
2-1393194-5	T77V1D3-05	T77V1D3-05	j
2-1393194-4	T77V1D3-03	T77V1D3-03	i
1-1393194-6	T77S1D3-24	T77S1D3-24	h
① 1-1440005-2	T77S1D3-18	T77S1D3-18	g
1-1393194-5	T7S1D3-12	T7S1D3-12	f
① 1440005-8	T77S1D3-06	T77S1D3-06	e
① 1-1440005-0	T77S1D3-09	T77S1D3-09	d
1-1393194-4	T77S1D3-06-01	T77S1D3-06-01	c
1-1393194-3	T77S1D3-05	T77S1D3-05	b
① 1-1393194-2	T77S1D3-03	T77S1D3-03	a
PART NO	DESCRIPTION	PART A	TYPE

RELAY TYPE

		EPOXY RESIN	SEAL (BASE & BOBBIN)	15
		MW79	MAGNETIC WIRE	14
94V-0		P.B.T	CASE	13
94V-0		P.B.T	BASE	12
94VHB		NYRON	BOBBIN	11
	SOLDER DIP	C.P WIRE	COIL TERMINAL	10
94V-0		P.P.S	CARD	9
		Ag ALLOY	MOVABLE CONTACT	8
		Ag ALLOY	NO.CONTACT	7
		STEEL	HINGE SPRING	6
	SOLDER DIP	CU ALLOY	NO.TERMINAL	5
	SOLDER DIP	CU ALLOY	MOVABLE SPRING	4
	NIP	STEEL	CORE	3
	NIP	STEEL	ARMATURE	2
	NIP	STEEL	YOKE	1
INCOMBUSTIBILITY	TREATMENT	MATERIAL	DESCRIPTION	ITEM

NOTE

1.LOT NO SYSTEM AS FOLLOWING: ① 5.ADD LOT NO. SYSTEM AS FOLLOWING;



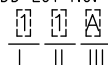
② 2.TERMINAL DIMENSION IS BEFORE SOLDER DIP;

③ 3.FOR THE TIN-PLATING OF THE PINS:

+0.1mm FOR WIDTH,THICKENSS AND DIAMETER.

+0.5mm FOR LENGTH.

④ 4.MARKING FROM INK TO LASER.



I, DIGITS FOR DAY OF THE WEEK

1...MONDAY IN THIS WEEK;

2...TUESDAY IN THIS WEEK;

.....

7...SUNDAY IN THIS WEEK

II, DIGITS FOR SHIFT OF THE DAY

1...DAY SHIFT IN THIS DAY;

2...NIGHT SHIFT IN THIS DAY;

III, ONE CHARACTER DISTINGUISH THE LINE IDENTITY, SUCH AS: A,B.....Z

THIS DRAWING IS A CONTROLLED DOCUMENT.		DWN	Huang,Yunshou	
		CHK	Yu, Banghua	
DIMENSIONS: mm		APVD	Zhang, Sunny	
TOLERANCES UNLESS OTHERWISE SPECIFIED:		PRODUCT SPEC	-	
0 PLC ±-		APPLICATION SPEC	-	
1 PLC ±-		WEIGHT	-	
2 PLC ±-		SIZE	CAGE CODE	DRAWING NO
3 PLC ±-		A3	00779	G= 2-1393194-5
4 PLC ±-		RESTRICTED TO		-
ANGLES ±-		CUSTOMER DRAWING		
FINISH		SCALE	SHEET	REV
-		5:1	2 of 2	C2



T77*1D3-** CUSTOMER DRAWING