

A

B

C

D

A

B

C

D

PRODUCT NO. *92789-XXXX	STAND OFF DIM "M"(mm)	HDR SOLDER TAIL	HOLD DOWN	Q'TY	GUIDE ASSY 92791-XXXX	HDR ASSY 92140-XXXX	DIM "P" (mm)	HDR COLOR	SHEET NO.	MOUNT STYLE TO PCB
000	0	R/A	NONE		001	000	2.8	BLACK	NO.2	TOP MOUNT 92789-0XXX 
000H	0	R/A	93925-001	4	001H	000H	2.8	BLACK		
001	0	SMT STAGGERED	NONE		001	001	—#	BLACK		
001H	0	SMT STAGGERED	93925-001	4	001H	001H	—#	BLACK		
002	0	SMT IN LINE	NONE		001	002	—#	BLACK		
002H	0	SMT IN LINE	93925-001	4	001H	002H	—#	BLACK		
020	2 (NO LOCATOR)	R/A	NONE		021	040	2.5	BLACK	NO.3	
040	4	R/A	NONE		041	010	2.8	BLACK		
040H	4	R/A	93925-003	4	041H	010H	2.8	BLACK		
050	5	R/A	NONE		051	020	2.8	BLACK		
050H	5	R/A	93925-004	4	051H	020H	2.8	BLACK	NO.4	BOTTOM MOUNT 92789-5XXX 
500	0	R/A	NONE		001	500	2.8	NATURAL		
500H	0	R/A	93925-001	4	001H	500H	2.8	NATURAL		
501	0	SMT STAGGERED	NONE		001	501	—#	NATURAL		
501H	0	SMT STAGGERED	93925-001	4	001H	501H	—#	NATURAL		
502	0	SMT IN LINE	NONE		001	502	—#	NATURAL		
502H	0	SMT IN LINE	93925-001	4	001H	502H	—#	NATURAL	NO.5	
520	2 (NO LOCATOR)	R/A	NONE		021	540	2.5	NATURAL		
540	4	R/A	NONE		041	510	2.8	NATURAL		
550	5	R/A	NONE		051	520	2.8	NATURAL		
550H	5	R/A	93925-004	4	051	520H	2.8	NATURAL		

NOTE
 ① OPTIONAL HOLD DOWN (-XXXH) CAN BE SELECTED FOR ONLY 0mm STAND OFF (-XXH) VARIATION.
 ② SMT STAGGERED & IN LINE (-XX1X & -XX2X) ARE ASSIGNED TO ONLY 0mm STAND OFF (-X0XX) VARIATION.

3. ASSY PROCESS
 3.1 TO MOUNT PART ④, ON PWB WITH SCREW (S1,S2) AND SOLDER.
 3.2 TO JOINT PART ④, INTO PART ④, THEN FIX PART ④ WITH 2 SCREWS (S3,S4).
 ④ MATERIAL

4.1 PART ④, (HEADER ASSY)
 HOUSING : HIGH TEMPERATURE THERMOPLASTIC UL94V-0
 PIN : COPPER ALLOY
 HOLD DOWN : COPPER ALLOY

4.2 PART ④, (GUIDE ASSY)
 GUIDE : HIGH TEMPERATURE THERMOPLASTIC UL94V-0
 PLATE : STAINLESS
 EMI CONTACT : COPPER ALLOY
 HOLD DOWN : COPPER ALLOY

⑤ FINISH
 HDR PIN : *0.5μm MIN. Ni OVER ALL UNDER PLATING
 *0.076μm MIN. Au MIN. AT CONTACT AREA
 *2.5μm MIN. Sn-Pb SOLDER TAIL
 OR 2.5μm MIN. Sn (FOR -XXXXLF) SOLDER TAIL
 EMI CONTACT : PRE-PLATING
 *0.5μm MIN. Ni OVER ALL UNDER PLATING
 *0.5μm MIN. Au CONTACT AREA.
 HOLD DOWN : 2.5μm MIN. Sn OVER ALL.

6. DIM"L"

4.25±0.1	3.5±0.1	5.0±0.1
OTHERS	36.67	117.34 36.31.68

7. GENERAL TOLERANCE : ±0.3
 8. SEE SHEET 1,2. REGARDING COMPONENTS.
 9. THIS PRODUCT MEETS EUROPEAN UNION DIRECTIVES AND OTHER COUNTRY REGULATIONS AS DESCRIBED IN GS-22-008.
 10. PRODUCT SPEC: 110-263



* 92789-X X X X X X X X

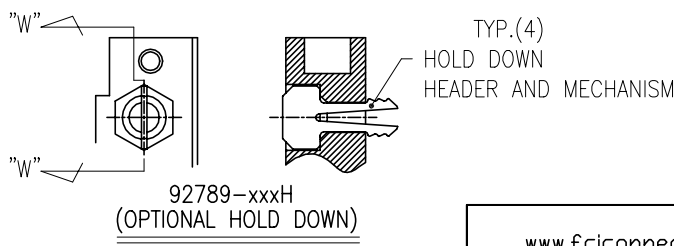
NOTE ①
OPTIONAL LEAD FREE
NONE : N □
LF : YES

NOTE ②
OPTIONAL HOLD DOWN
NONE : N □
H : YES(SEE FIGURE OF -XXXH)

NOTE ③
HDR SOLDER TAIL
0 : R/A
1 : SMT STAGGERED
2 : SMT IN LINE

STAND OFF HEIGHT (DIM"M")
0 : 0mm(NONE)
2 : 2mm
4 : 4mm
5 : 5mm

MOUNT STYLE TO PCB
0 : TOP MOUNT
5 : BOTTOM MOUNT



rev	ecn no	dr	date
J	J05-0215	MH	4/11/05
K	N05-0128	WB J	05/19/05
L	N07-0114	CM	05/14/07
M	N09-0381	SH	11/30/09
N	ELX-N-011350	ZK	04/06/12

www.fciconnect.com		surface	tolerance std	projection	MM
		TOLERANCES UNLESS OTHERWISE SPECIFIED			
Dr	M.Hasegawa 4/11/05	ANGULAR	0.X ± 0.3	size	Scale
Eng	M.Hasegawa 4/11/05	LINEAR	0.XX ± 0.15	ECN	
Chr		0' ± 2'	0.XXX ± 0.08	Spec ref	
Appr		Product family	Header PCMCIA SANF		
FCI		title	68P LONG HEADER TYPE I / II / III (WITH EMI CLIP)		Rev. N
		catalog no	CUSTOMER DRAWING		sheet 1 of 7
		dwg no	92789		

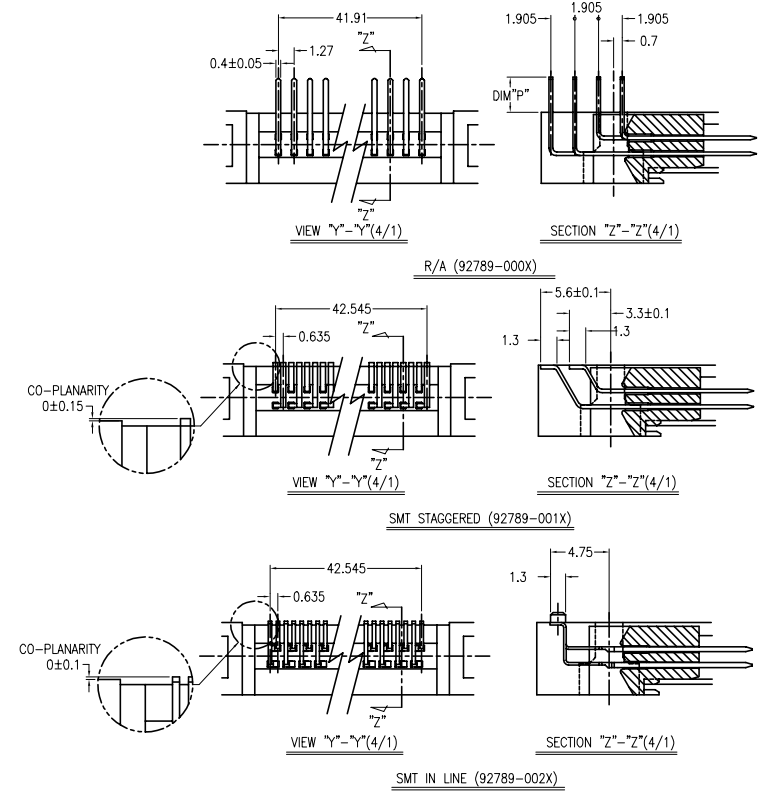
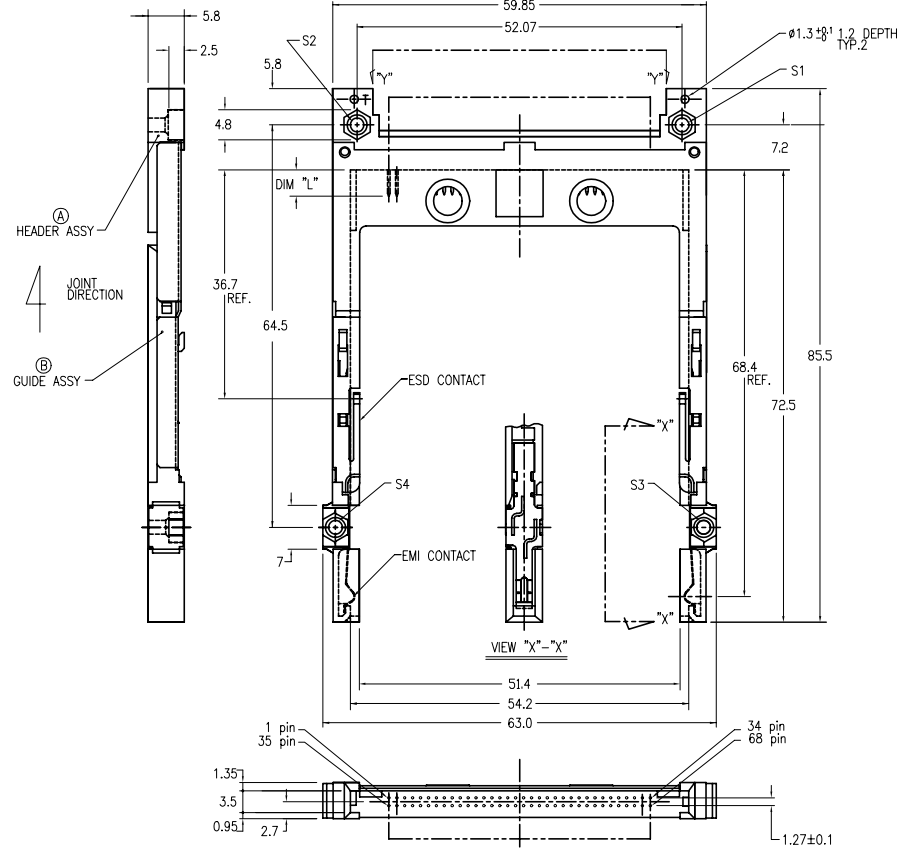
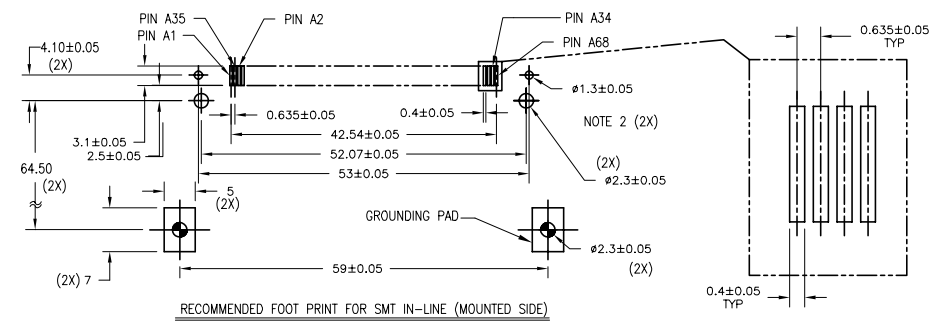
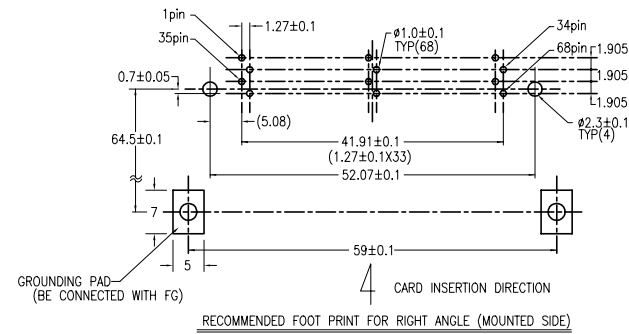
1

2

3

4

PRODUCT NO.
92789-000/000LF
92789-000H/000HLF
92789-001
92789-001H
92789-002/002LF
92789-002H



Copyright FCI

www.fciconnect.com		surface <input checked="" type="checkbox"/>	tolerance std	projection	MM
TOLERANCES UNLESS OTHERWISE SPECIFIED					
Dr	M.Hasegawa/11/05	ANGULAR	LINEAR	0.X ±	size
Eng	M.Hasegawa/11/05	0° ±		0.XX ±	Scale
Chr		0° ±		0.XXX ±	ECN
Appr		Product family		Header PCMCIA SANF	Spec ref
title		68P LONG HEADER TYPE I / II / III (WITH EMI CLIP)		dwg no	92789
catalog no		CUSTOMER DRAWING		Rev.	N
					sheet 3 of 7

rev	ecn no	dr	date
N			

3

PDS: Rev :N

STATUS:Released

Printed: Sep 12, 2013

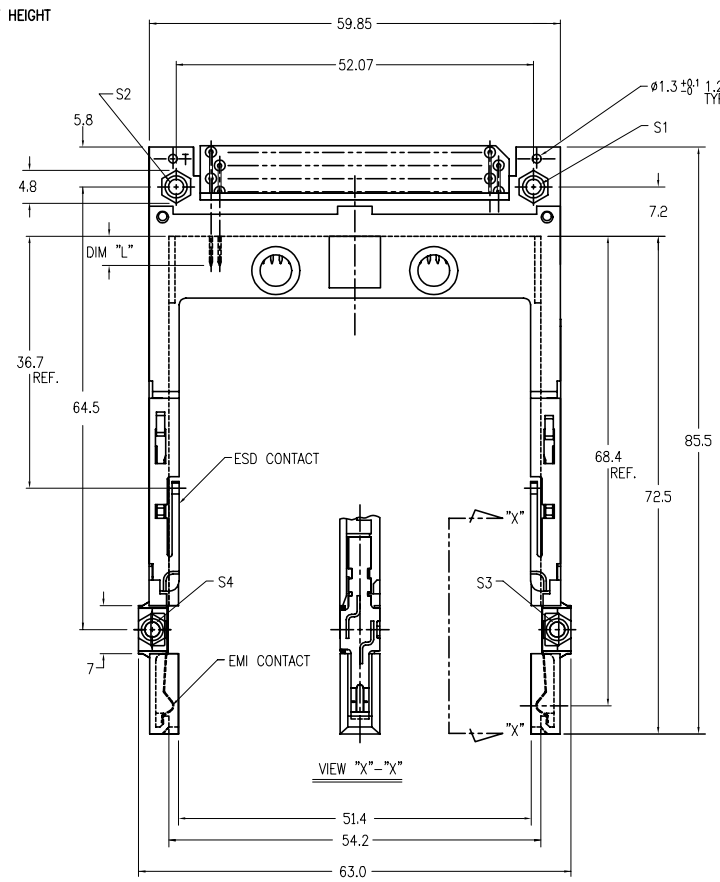
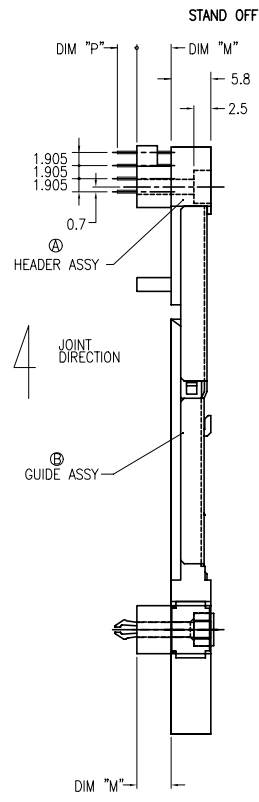
1

2

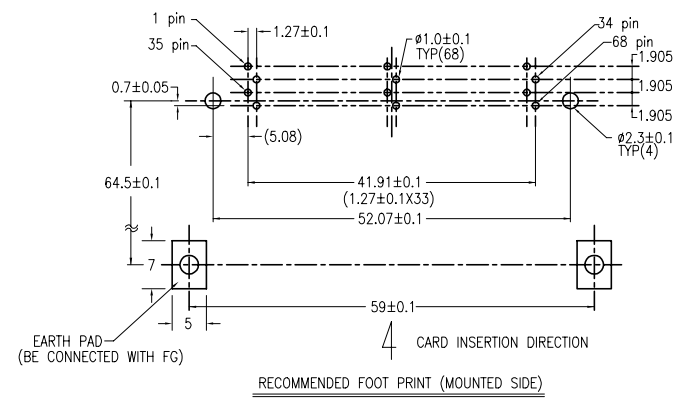
3

4

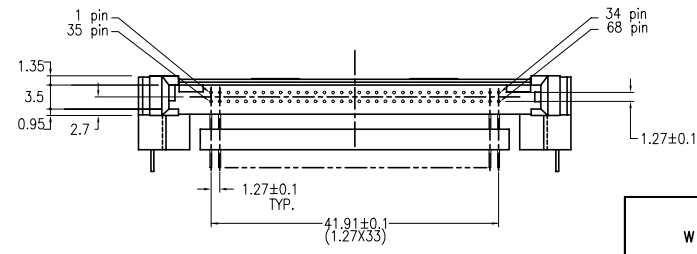
PRODUCT NO.
92789-020/020LF
92789-040/040LF
92789-040H/040HLF
92789-050/050LF
92789-050H/050HLF



VIEW "X"- "X"



RECOMMENDED FOOT PRINT (MOUNTED SIDE)



Copyright FCI.

rev	ecn no	dr	date
N			

www.fciconnect.com		surface	tolerance std	projection	MM
		TOLERANCES UNLESS OTHERWISE SPECIFIED			Scale
Dr	M.Hasegawa/11/05	ANGULAR	0.X ±	size	
Eng	M.Hasegawa/11/05	LINEAR	0.XX ±	ECN	
Chr		0* ±	0.XXX ±	Spec ref	
Appr		Product family Header PCMCIA SANF			
		title 68P LONG HEADER TYPE I / II / III (WITH EMI CLIP)		dwg no 92789	Rev. N
		catalog no CUSTOMER DRAWING		sheet 4 of 7	

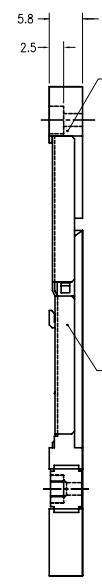
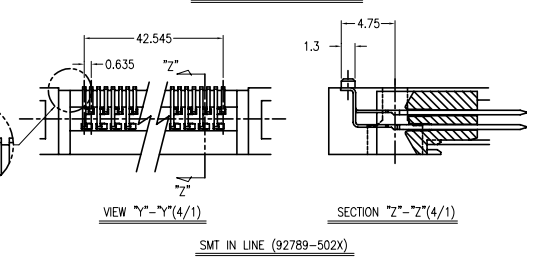
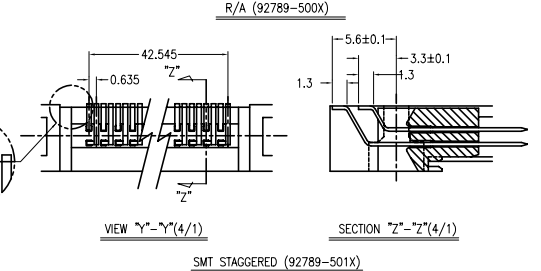
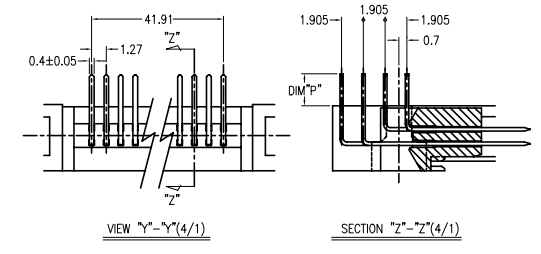
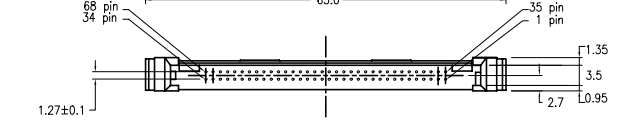
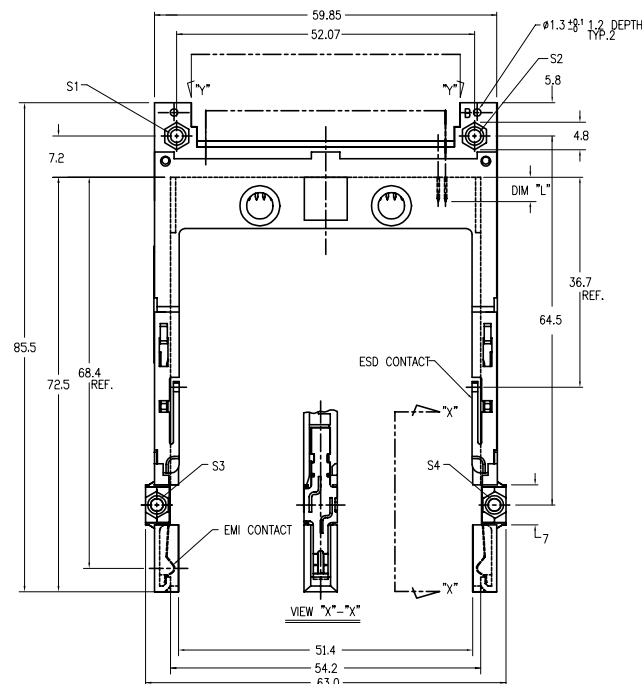
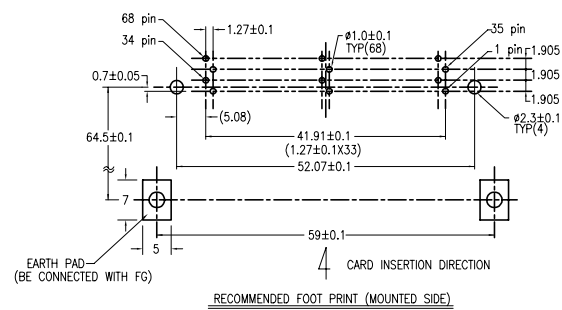
3

PDS: Rev :N

STATUS:Released

Printed: Sep 12, 2013

PRODUCT NO.
92789-500/500LF
92789-500H/500HLF
92789-501
92789-501H
92789-502
92789-502H



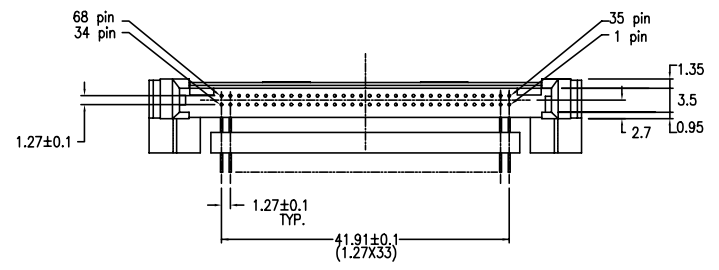
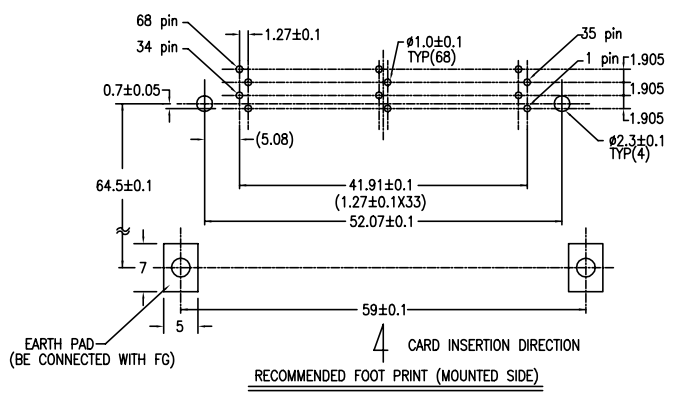
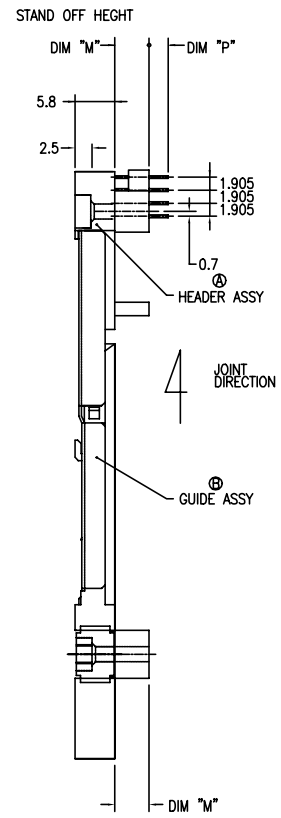
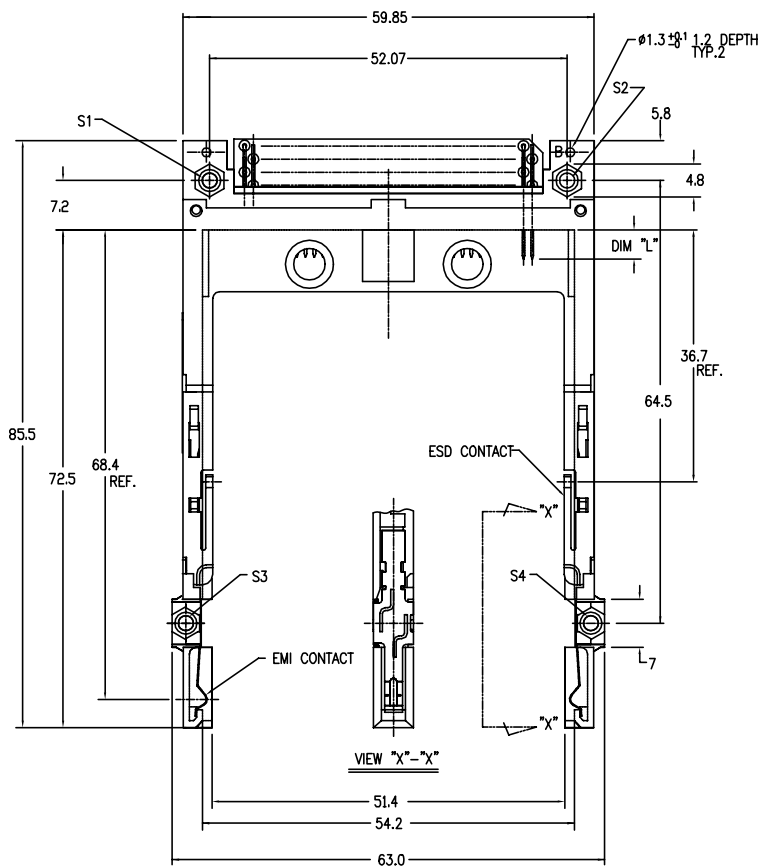
www.fciconnect.com		surface	tolerance std	projection	MM
		TOLERANCES UNLESS OTHERWISE SPECIFIED			
Dr	M.Hasegawa/11/05	ANGULAR	0.X ±	size	Scale
Eng	M.Hasegawa/11/05	LINEAR	0.XX ±	ECN	
Chr		0 ±	0.XXX ±	Spec ref	
Appr		Product family Header PCMCIA SANF			
		title 68P LONG HEADER TYPE I / II / III (WITH EMI CLIP)		dwg no 92789	Rev. N
		catalog no CUSTOMER DRAWING		sheet 5 of 7	

rev	ecn no	dr	date
N			



Copyright FCI

PRODUCT NO.	
92789-520/520LF	△
92789-540/540LF/540HLF	△
92789-550/550LF	△
92789-550H/550HLF	△



Copyright FCI

rev	ecn no	dr	date
N			

www.fciconnect.com		surface <input checked="" type="checkbox"/>	tolerance std	projection	MM
		TOLERANCES UNLESS OTHERWISE SPECIFIED			Scale
Dr	M.Hasegawa/11/05	ANGULAR	0.X ±	size	Scale
Eng	M.Hasegawa/11/05	LINEAR	0.XX ±	ECN	
Chr		0* ±	0.XXX ±	Spec ref	
Appr		Product family Header PCMCIA SANF			
		title 68P LONG HEADER TYPE I / II / III (WITH EMI CLIP)		dwg no 92789	Rev. N
		catalog no CUSTOMER DRAWING		sheet 6 of 7	

