

9615 SW Allen, Suite 103  
 Beaverton, OR 97005  
 Phone: (503) 643-4899  
 800-275-4899  
 Fax: (503) 372-1266  
 Website: [www.cui.com](http://www.cui.com)

# Specifications

1	Part No.	GF0668B				
2	Nominal Size	66 mm.	2 - 1/2" inch			
3	Impedance	8 $\Omega$ $\pm$ 15%	at	800 Hz.	1 V.	
4	Resonance	200 Hz. $\pm$ 40 Hz.	F0 Hz.	1 V.		
5	S.P. Level	94 dB/w $\pm$ 3 dB	1 w.	50 cm.	average at	
6	Response	fo Hz. $\sim$ 17K Hz.	MAX 10dB	800, 1K, 1.2K, 1.5K Hz.		
7	Crossover Freq.	Hz.	Hz.	dB/OCT	Net work	
8	Input Power	Nominal Input 3 w.	Handling Capacity 5 w.			
9	Operation	Must be normal at program source			3 w.	
10	Buzz, Rattle, etc.	Must be normal at sine wave			4.90 v.	
11	Flux Density	Gauss $\pm$ 10%				
12	Total Flux	Max well min				
13	Magnet	Size 45 x 22 x 8 mm	gr	oz		
14	Total Weight	gr oz				
15	Load Test	After test meet item 9 and 10	White noise	3 W.	48 Hours	
16	Distortion	% MAX		Hz	W.	
17	Heat Test	After test meet item 9 and 10	70 $\pm$ 2 $\pm$ °C	20-50 %R.H.	48 Hours	
18	Humidity Test	After test meet item 9 and 10	40 $\pm$ 2 $\pm$ °C	90-95 %R.H.	48 Hours	

PART NO.

GF0668B

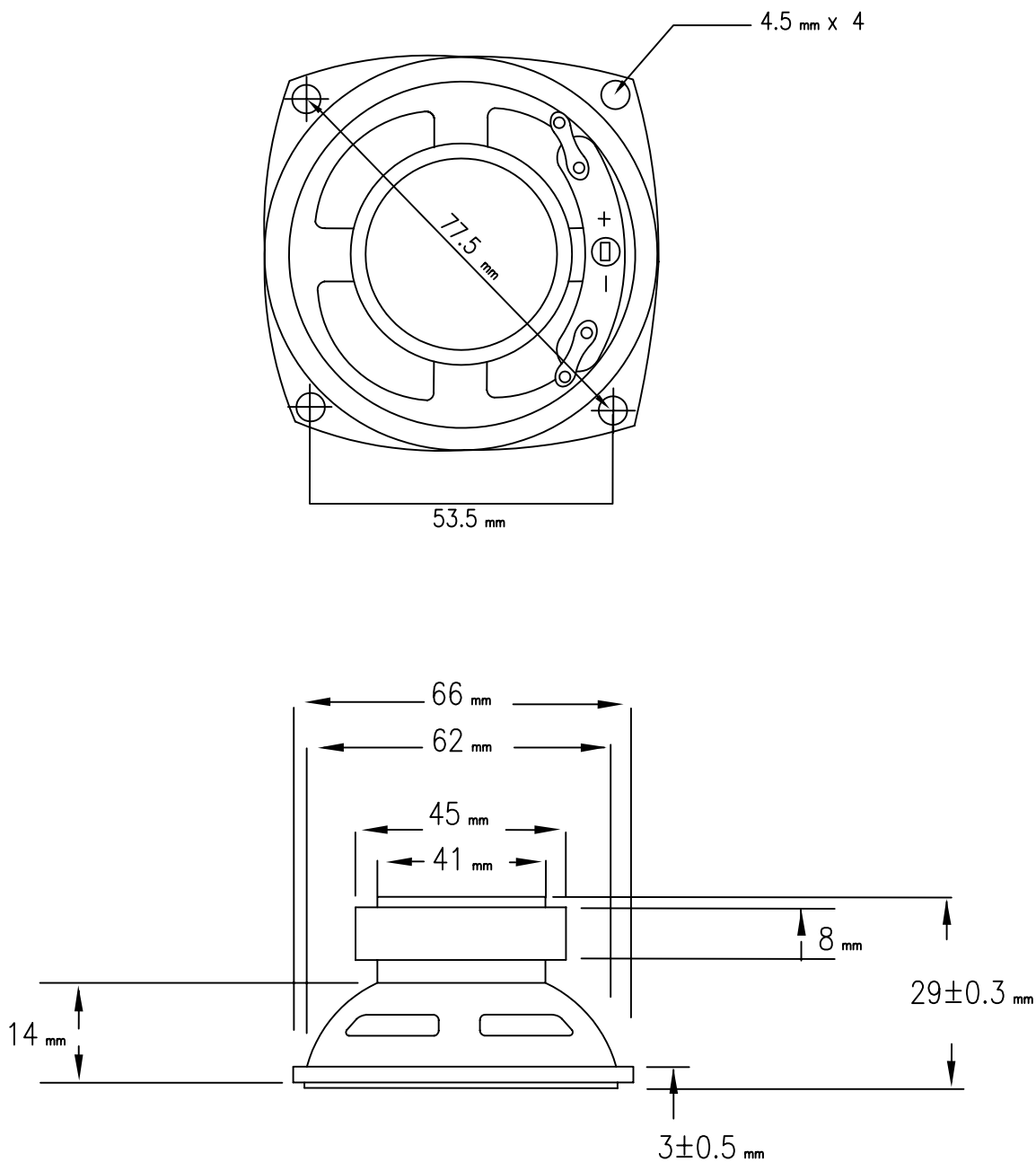
UNITS:

mm

DRAWN BY:

Page No:

1 of 2



9615 SW Allen, Suite 103  
 Beaverton, OR 97005  
 Phone: (503) 643-4899  
 800-275-4899  
 Fax: (503) 372-1266  
 Website: [www.cui.com](http://www.cui.com)

TITLE:

PART NO.

GF0668B

UNITS:

mm

DRAWN BY:

Page No.

2 of 2