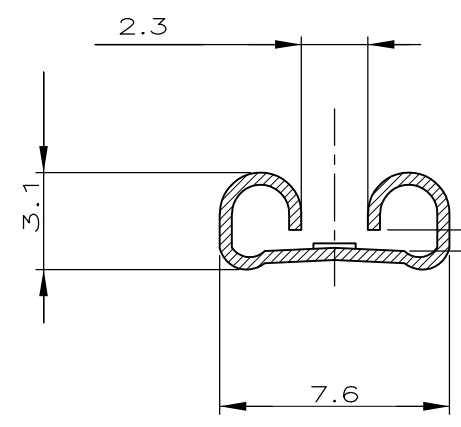
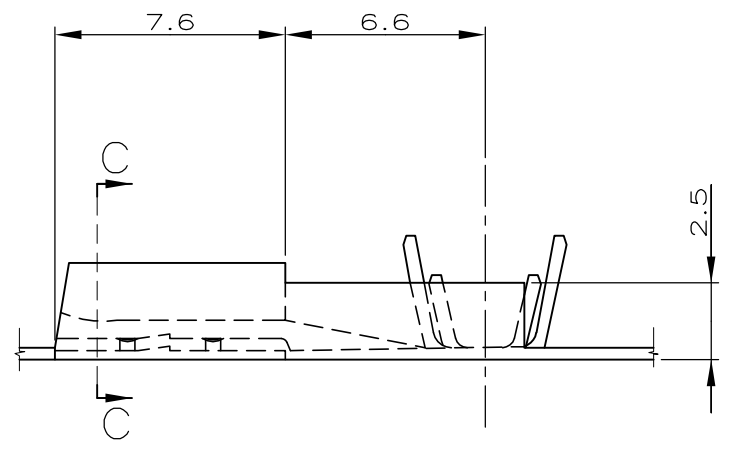
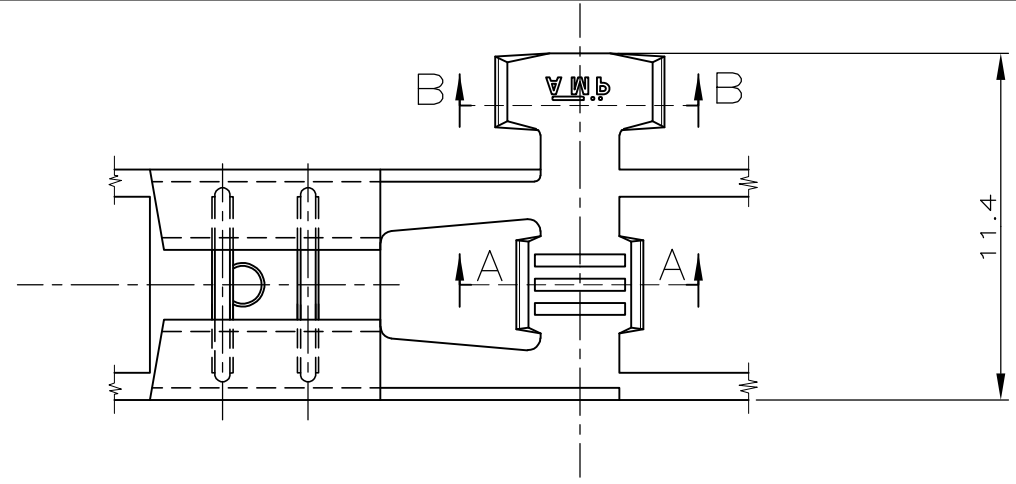
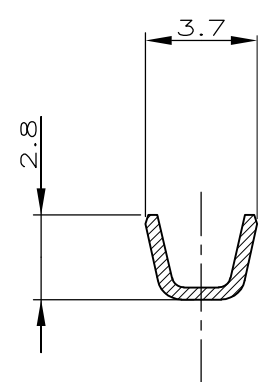


THIS DRAWING IS UNPUBLISHED. RELEASED FOR PUBLICATION
 © COPYRIGHT - By - ALL RIGHTS RESERVED.

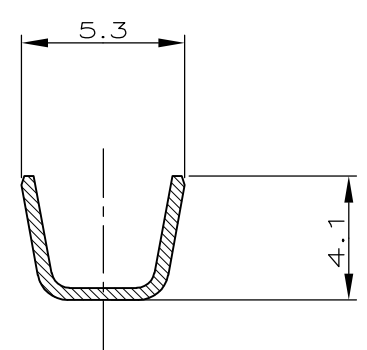
LOC	DIST	REVISIONS			
P	LTR	DESCRIPTION	DATE	DWN	APVD
		REVISED PER ECO-11-005301	02MAR11	RK	HMR



SECTION C-C



SECTION A-A



SECTION B-B

- ① NON DISPONIBILE DALL' AMP ITALIA (NOT AVAILABLE FROM AMP ITALY)
- ② ADATTO PER AMP-O-MATOR (REVERSE REELED FOR MINI APPLICATOR)
- ③ BOBINA IN CARTONE CON CARTA INTERPOSTA QUANTITA' PER BOBINA: 3000 (CARTON REEL WITH INTERPOSED PAPER STRIP Q.TY PER REEL: 3000)
- ④ CON SPECIALE RIVESTIMENTO IN CARTA (WITH SPECIAL PAPER COVER)
- ⑤ BOBINA IN CARTONE CON CARTA INTERPOSTA QUANTITA' PER BOBINA: 2500 (CARTON REEL WITH INTERPOSED PAPER STRIP Q.TY PER REEL: 2500)
- ⑥ OBSOLETE
- ⑦ BOBINA IN CARTONE QUANTITA' PER BOBINA: 7000 (CARTON REEL Q.TY PER REEL: 7000)
- ⑧ OBSOLETE PARTS: OBSOLETE CIS STREAMLINING PER D.RENAUD/D.SINISI

ADATTO PER LINGUETTA SPESS. 0.8 (FIT FOR TAB THK 0.8)

REV	DESCRIPTION	MATERIAL	FINITURA (FINISH)	NUMERO (P/N)	REV
OBSOLETE	② ① ⑦ ⑥	ST. (TIN PLTD)	BR. F. (PH. BR.)	4-280050-7	BC
	② ① ⑦	- (UNPLTD)	BR. F. (PH. BR.)	4-280050-4	BC
	② ① ⑦	ST. (TIN PLTD)	OTTONE (BRASS)	4-280050-2	BC
	② ① ⑦	- (UNPLTD)	OTTONE (BRASS)	4-280050-1	BC
	⑧ ② ① ④	- (UNPLTD)	BR. F. (PH. BR.)	2-280050-4	BB
	⑧ ② ① ③	NICKELATO (NICKEL PLTD)	ACCIAIO (STEEL)	2-280050-3	BB
OBSOLETE	② ① ④ ⑥	ST. (TIN PLTD)	OTTONE (BRASS)	2-280050-2	BB
	② ① ④ ③	- (UNPLTD)	OTTONE (BRASS)	2-280050-1	BB
	② ①	NICKELATO (NICKEL PLTD)	ACCIAIO (STEEL)	1-280050-3	BB
	② ⑤	ST. (TIN PLTD)	OTTONE (BRASS)	1-280050-2	BB
	② ①	ST. (TIN PLTD)	BR. F. (PH. BR.)	280050-7	BB
	② ①	- (UNPLTD)	BR. F. (PH. BR.)	280050-4	BB
	② ①	NICKELATO (NICKEL PLTD)	ACCIAIO (STEEL)	280050-3	BB
	②	ST. (TIN PLTD)	OTTONE (BRASS)	280050-2	BB
	② ①	- (UNPLTD)	OTTONE (BRASS)	280050-1	BB
		ST. (TIN PLTD)	BR. F. (PH. BR.)	180388-5	BB
		ST. (TIN PLTD)	OTTONE (BRASS)	180388-2	BB
		- (UNPLTD)	OTTONE (BRASS)	180388-1	BB
NOTE		FINITURA (FINISH)	MATERIALE (MATERIAL)	NUMERO (P/N)	REV

DIAM. ISOLANTE (INS. DIA. RANGE) 2.3-3.3	RANGO FILO (WIRE RANGE) 0.5-1.5	METRIC
THIS DRAWING IS A CONTROLLED DOCUMENT.		
DIMENSIONS: mm [INCHES]		TOLERANCES UNLESS OTHERWISE SPECIFIED:
0 PLC ± - 1 PLC ± 0.3 2 PLC ± - 3 PLC ± - 4 PLC ± - ANGLES ± 2'		DWN A. FROLA 28 APR 97 CHK G. TURCO 29 APR. 97 APVD - PRODUCT SPEC - APPLICATION SPEC - WEIGHT -
MATERIAL -	FINISH -	CUSTOMER DRAWING



.250 SERIES FLAG FASTON REC.			
SIZE	CAGE CODE	DRAWING NO	RESTRICTED TO
A3	00779	C-180388	-
SCALE NTS		SHEET 1 OF 1	REV BD2