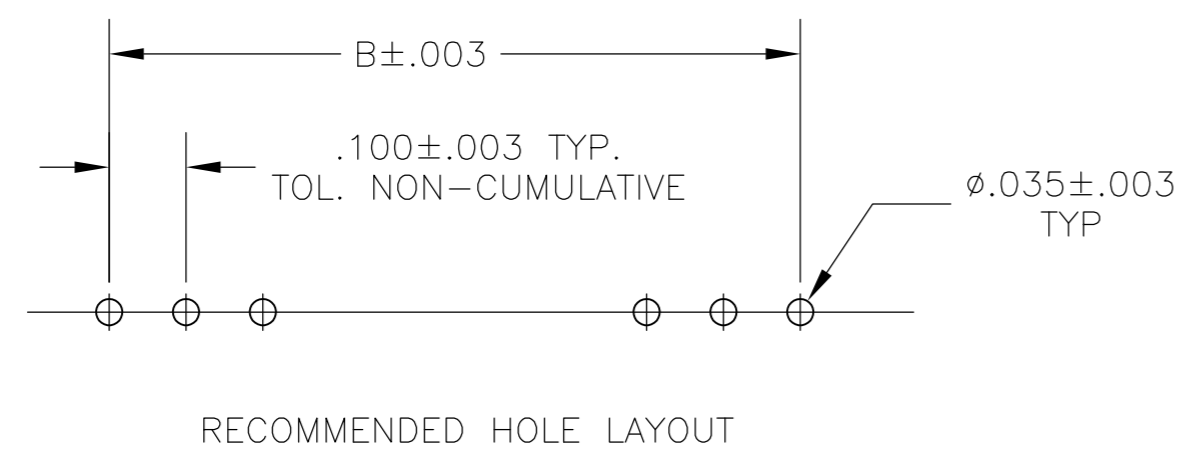
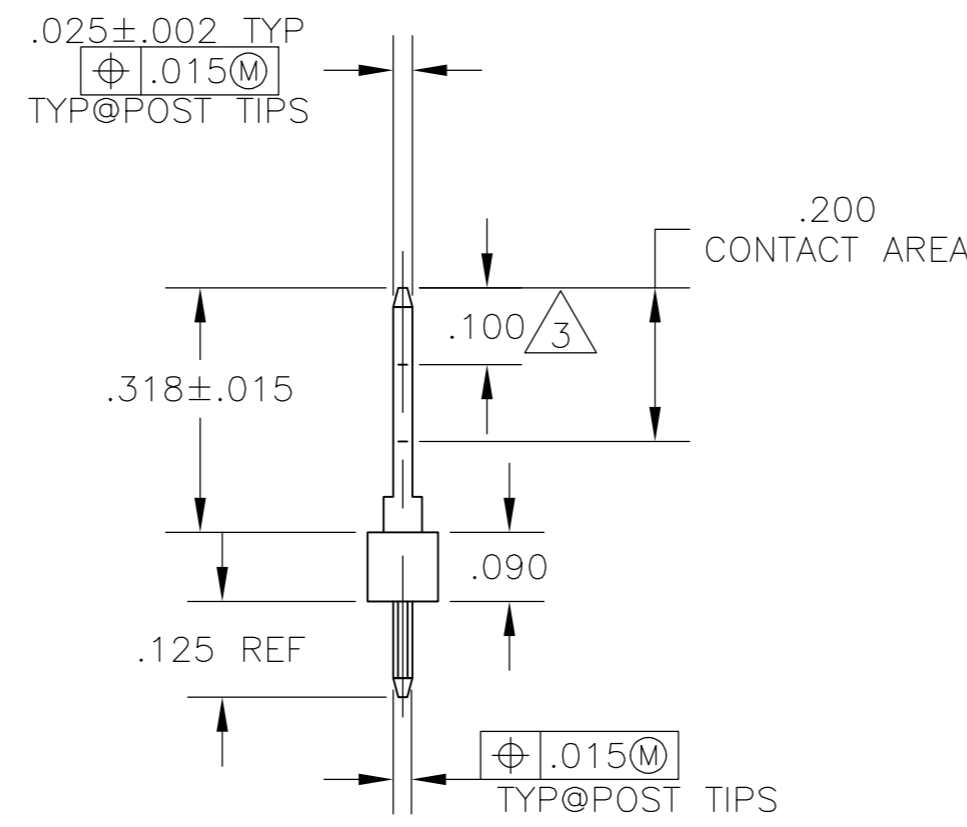
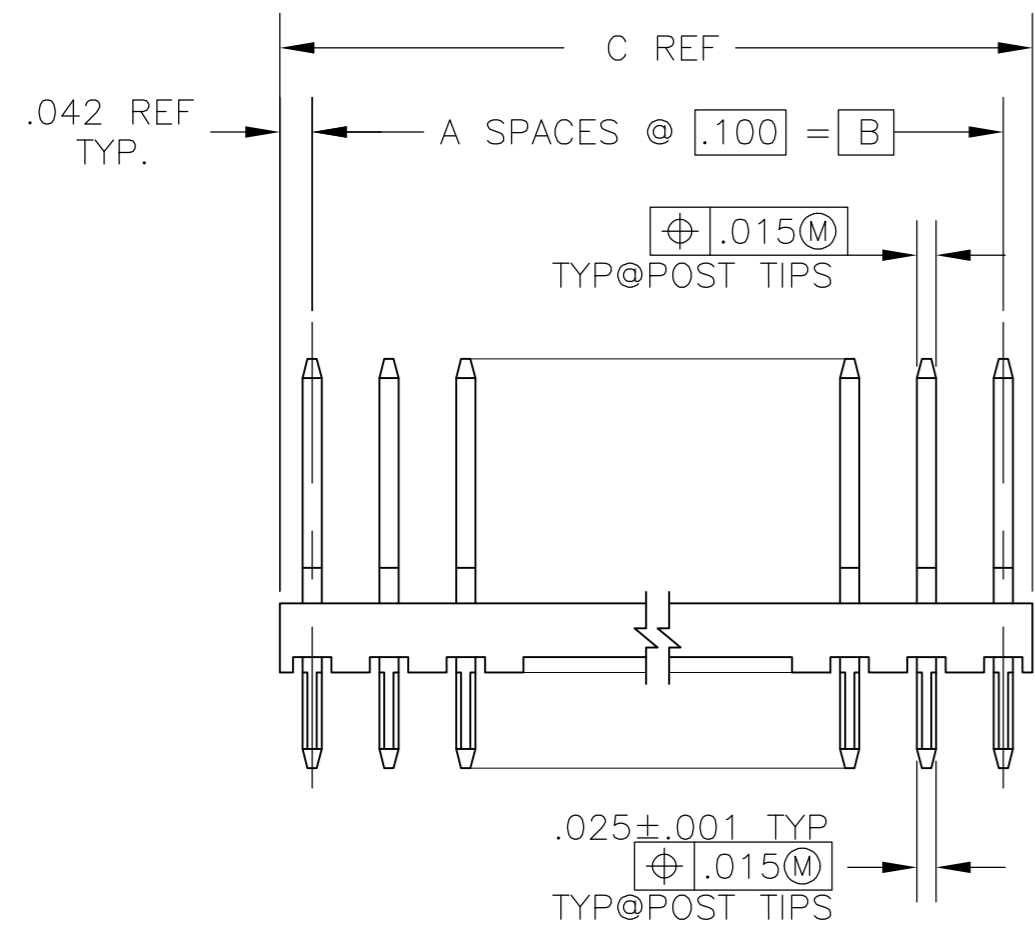


THIS DRAWING IS UNPUBLISHED. RELEASED FOR PUBLICATION
 © COPYRIGHT - By - ALL RIGHTS RESERVED.

LOC		DIST		REVISIONS					
AD		39		P	LTR	DESCRIPTION	DATE	DWN	APVD
				L2		REVISED PER ECO-11-004587	11MAR11	RK	HMR



- 1 TRUE POSITION TOLERANCE OF POST TIPS APPLIES WHEN HEADERS ARE HELD FLAT AGAINST PC BOARD.
- 2 .000015 GOLD IN CONTACT AREA, GOLD FLASH ON SOLDER AREA, ALL OVER .000050 NICKEL.
- 3 POINT OF MEASUREMENT FOR PLATING THICKNESS.
- 4 PARTS PACKAGED IN SINGLE TUBES.
- 5 HOUSING: FLAME RETARDANT THERMOPLASTIC, COLOR-BLACK POST: PHOS.BRONZE.
- 6 OBSOLETE PARTS: OBSOLETE CIS STREAMLINING PER D.RENAUD/D.SINISI

6	4	OBSOLETE	.284	.200	2	3	4-87224-3
			3.984	3.900	39	40	4-87224-0
6	OBSOLETE		3.884	3.800	38	39	3-87224-9
			3.784	3.700	37	38	3-87224-8
			3.684	3.600	36	37	3-87224-7
			3.584	3.500	35	36	3-87224-6
			3.484	3.400	34	35	3-87224-5
			3.384	3.300	33	34	3-87224-4
			3.284	3.200	32	33	3-87224-3
			3.184	3.100	31	32	3-87224-2
			3.084	3.000	30	31	3-87224-1
			2.984	2.900	29	30	3-87224-0
			2.884	2.800	28	29	2-87224-9
			2.784	2.700	27	28	2-87224-8
			2.684	2.600	26	27	2-87224-7
			2.584	2.500	25	26	2-87224-6
			2.484	2.400	24	25	2-87224-5
			2.384	2.300	23	24	2-87224-4
			2.284	2.200	22	23	2-87224-3
			2.184	2.100	21	22	2-87224-2
	2.084	2.000	20	21	2-87224-1		
	1.984	1.900	19	20	2-87224-0		
6	OBSOLETE		1.884	1.800	18	19	1-87224-9
			1.784	1.700	17	18	1-87224-8
			1.684	1.600	16	17	1-87224-7
			1.584	1.500	15	16	1-87224-6
6	OBSOLETE		1.484	1.400	14	15	1-87224-5
			1.384	1.300	13	14	1-87224-4
			1.284	1.200	12	13	1-87224-3
			1.184	1.100	11	12	1-87224-2
	1.084	1.000	10	11	1-87224-1		
	.984	.900	9	10	1-87224-0		
	.884	.800	8	9	87224-9		
	.784	.700	7	8	87224-8		
	.684	.600	6	7	87224-7		
	.584	.500	5	6	87224-6		
	.484	.400	4	5	87224-5		
	.384	.300	3	4	87224-4		
	.284	.200	2	3	87224-3		
	.184	.100	1	2	87224-2		
	.084	-	-	1	87224-1		
		C	B	A	NO OF POS	PART NO	

THIS DRAWING IS A CONTROLLED DOCUMENT.		DWN RAGHAVENDRA 24FEB09	TE Connectivity			
DIMENSIONS: INCHES		CHK GESFORD JEFFREY 24FEB09				
TOLERANCES UNLESS OTHERWISE SPECIFIED:		APVD GESFORD JEFFREY 24FEB09	NAME			
0 PLC ± - 1 PLC ± - 2 PLC ± - 3 PLC ± .005 4 PLC ± - ANGLES ± - FINISH		PRODUCT SPEC	HEADER ASS'Y MOD II, .025 SQ POST, SINGLE ROW, 100 C/L, STACKABLE			
MATERIAL 5		APPLICATION SPEC	SIZE A2	CAGE CODE 00779	DRAWING NO C-87224	RESTRICTED TO
FINISH 2		WEIGHT -	SCALE 4:1	SHEET 1 of 1	REV L2	
CUSTOMER DRAWING						